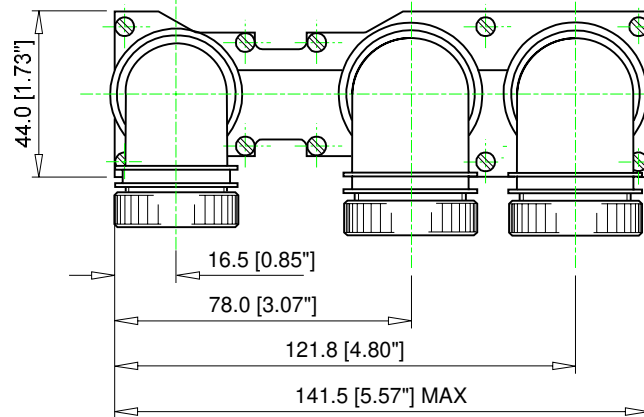
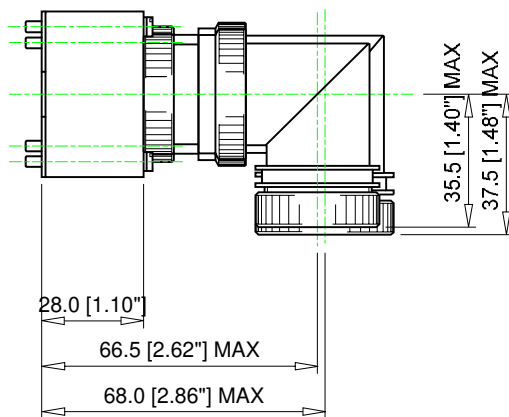
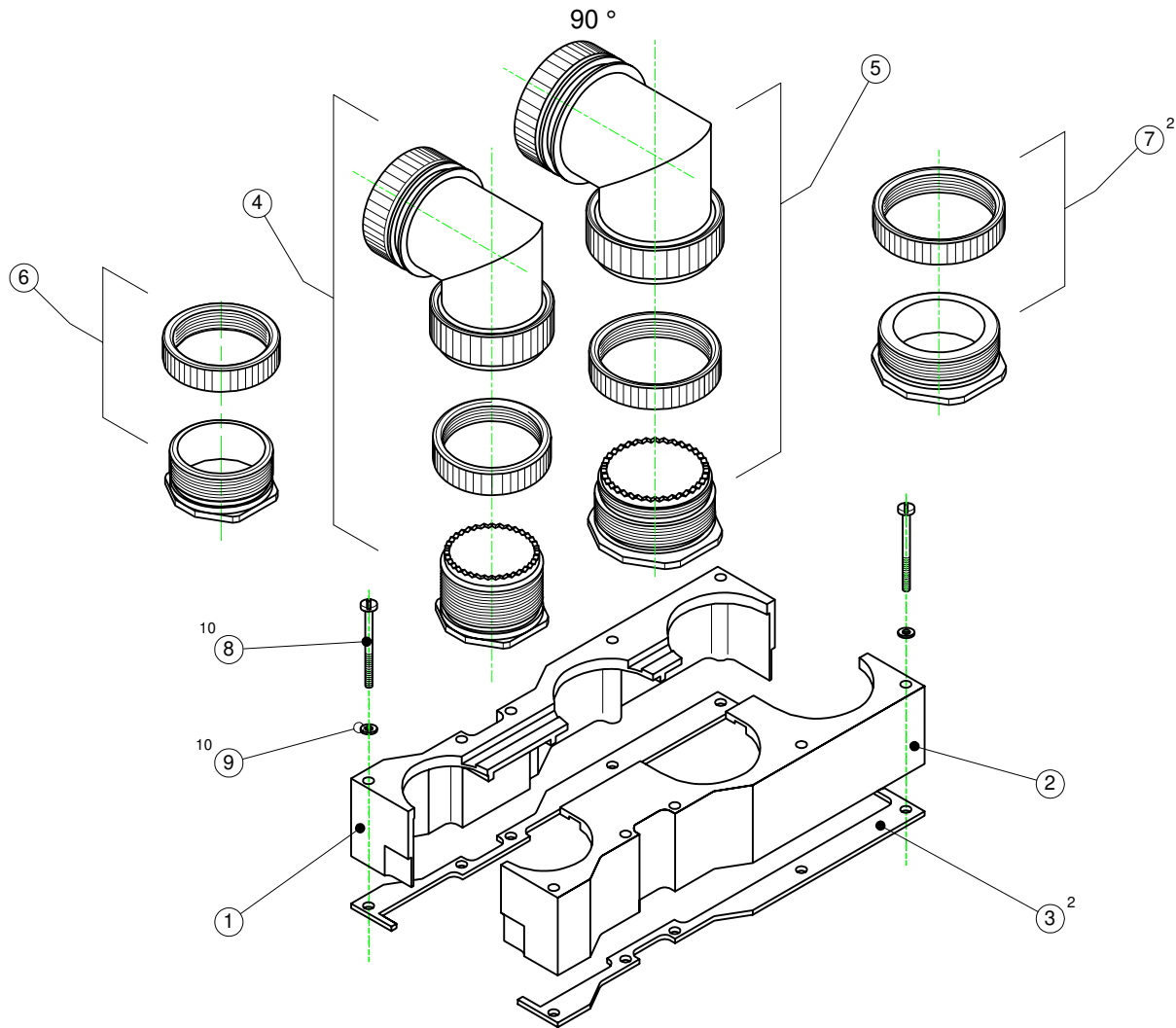


# CUSTOMER DRAWING

REV:  
A

DATE:  
Aug 21, 2008



© 2008 Tyco Electronics. All rights reserved.



**Raychem**  
Wire and Harnessing Products  
300 Constitution Drive  
Menlo Park, CA 94025, USA

TITLE:  
**HEXASHIELD ADAPTOR FOR  
ARINC 600 CONNECTOR – SIZE 2 –  
SHELL CAVITIES A, B AND C  
PLAIN CLAMPING NUT**

UNLESS OTHERWISE SPECIFIED  
DIMENSIONS ARE IN MILLIMETERS.  
INCH DIMENSIONS ARE SHOWN IN  
BRACKETS

Tyco Electronics reserves the right to amend this drawing at  
any time. Users should evaluate the suitability of the  
product for their application.

DOCUMENT NO.  
**HEXA6-AY-90-02-AYY-1-YY**

DRAWN:  
IRT

DATE:  
APR 08

CAGE CODE:  
06090

DCR #  
ECO-08-019355

FILE:  
87008/A6-90-2-1

SCALE:  
NONE

SHEET:  
1 OF 5

If this document is printed it becomes uncontrolled. Check for the latest revision.

# CUSTOMER DRAWING

 REV:  
A

 DATE:  
Aug 21, 2008

## KIT DESCRIPTION

ITEM	QTY	DESCRIPTION	MATERIAL
1	1	LEFT SIDE SUPPORT	ALUMINIUM ALLOY
2	1	RIGHT SIDE SUPPORT	ALUMINIUM ALLOY
3	2	RETENTION BAR	ALUMINIUM ALLOY
4	1	BODY ASSEMBLY – A7	
		BODY – A7	ALUMINIUM ALLOY
		HOLDING NUT – A7	ALUMINIUM ALLOY
		HEX40-AY-90-19-AY-1	ALUMINIUM ALLOY
5	1 or 2	BODY ASSEMBLY – A9	
		BODY – A9	ALUMINIUM ALLOY
		HOLDING NUT – A9	ALUMINIUM ALLOY
		HEX40-AY-90-21-AY-1	ALUMINIUM ALLOY
6	1	CAVITY C PLUG ASSEMBLY *	
		PLUG	ALUMINIUM ALLOY
		HOLDING NUT – A7	ALUMINIUM ALLOY
7	1 or 2	CAVITY A/B PLUG ASSEMBLY *	
		PLUG	ALUMINIUM ALLOY
		HOLDING NUT – A9	ALUMINIUM ALLOY
8	10	PAN HEAD SCREW - 4-40 UNC x 1.25" LONG	STAINLESS STEEL - PASSIVATED
9	10	SPRING WASHER	STAINLESS STEEL - PASSIVATED

\* SEE NOTES

## ORDER INFORMATION – BASIC ASSEMBLIES (NO CAVITY PLUGS)

Ferrule/ Backnut/ Drilled Star	Shell Cavity											
	A				B				C			
	Ferrule Quantity		Drilled Star	Cavity Plug	Ferrule Quantity		Drilled Star	Cavity Plug	Ferrule Quantity		Drilled Star	Cavity Plug
	Std	Opt			Std	Opt			Std	Opt		
A25-1	9		x	x	9		x	x	7		x	x
A25-1-DS(A/B/C)	9		✓	x	9		✓	x	7		✓	x
A27-1		11	x	x	9		x	x	7		x	x
A27-1-DS		11	x	x	9		✓	x	7		✓	x
A28-1		11	x	x	9		x	x	8		x	x
A28-1-DS		11	x	x	9		✓	x	8		x	x
A29-1		11	x	x		11	x	x	7		x	x
A29-1-DS		11	x	x		11	x	x	7		✓	x
A30-1		11	x	x		11	x	x	8		x	x

© 2008Tyco Electronics. All rights reserved.

<b style="font-size: 1.2em; color: red;">Raychem</b> Wire and Harnessing Products 300 Constitution Drive Menlo Park, CA 94025, USA				TITLE: <b>HEXASHIELD ADAPTOR FOR                  ARINC 600 CONNECTOR – SIZE 2 –                  SHELL CAVITIES A, B AND C                  PLAIN CLAMPING NUT</b>					
UNLESS OTHERWISE SPECIFIED DIMENSIONS ARE IN MILLIMETERS. INCH DIMENSIONS ARE SHOWN IN BRACKETS		Tyco Electronics reserves the right to amend this drawing at any time. Users should evaluate the suitability of the product for their application.				DOCUMENT NO. <b>HEXA6-AY-90-02-AYY-1-YY</b>			
DRAWN: IRT	DATE: APR 08	CAGE CODE: 06090	DCR # ECO-08-019355	FILE: 87008/A6-90-2-1	SCALE: NONE	SHEET: 2 OF 5			

If this document is printed it becomes uncontrolled. Check for the latest revision.

# CUSTOMER DRAWING

 REV:  
A

 DATE:  
Aug 21, 2008

## ORDER INFORMATION – ASSEMBLY WITH CAVITY PLUG(S)

Ferrule/ Backnut/ Drilled Star	Shell Cavity											
	A			B				C				
	Ferrule Quantity		Drilled Star	Cavity Plug	Ferrule Quantity		Drilled Star	Cavity Plug	Ferrule Quantity		Drilled Star	Cavity Plug
Std	Opt	Std			Opt	Std			Opt			
A7-1				✓				✓	7		×	×
A7-1-DS(C)				✓				✓	7		✓	×
A8-1				✓				✓		8	×	×
A9-1	9		×	×				✓				✓
A9-1-DS(A)	9		✓	×				✓				✓
A11-1		11	×	×				✓				✓
A16-1	9		×	×				✓	7		×	×
A16-1-DS(AC)	9		✓	×				✓	7		✓	×
A17-1	9		×	×				✓		8	×	×
A17-1-DS(A)	9		✓	×				✓		8	×	×
A18(9/9)-1	9		×	×	9		×	×				✓
A18-1-DS(AB)	9		✓	×	9		✓	×				✓
A18(11/7)-1		11	×	×				✓	7		×	×
A18-1-DS(AC)		11	×	×				✓	7		✓	×
A19-1		11	×	×				✓		8	×	×
A20-1		11	×	×	9		×	×				✓
A20-1-DS(B)		11	×	×	9		✓	×				✓
A22		11	×	×		11	×	×				✓

## PART NUMBERING

HEXA6 – A C – 90 – 02 – A25 – 1 – DS (A/B/C)

- CONNECTOR CODE NUMBER \_\_\_\_\_  
HEXA6 = ARINC 600 CONNECTOR
- MATERIAL CODE: \_\_\_\_\_  
A = ALUMINIUM ALLOY
- PLATING CODE: \_\_\_\_\_  
B = CADMIUM OLIVE DRAB TO SAE-AMS-QQ-P-416  
C = ELECTROLESS NICKEL TO SAE-AMS-C-26074
- OUTLET STYLE \_\_\_\_\_  
90 = 90° DEGREE ADAPTOR(S)
- ORDER NUMBER \_\_\_\_\_  
02 = SIZE 2 (CAVITIES A, B AND C)
- FERRULE QUANTITY CODE \_\_\_\_\_
- 1 = PLAIN CLAMPING NUT \_\_\_\_\_
- DS = DRILLED STAR – SEE NOTE 1 \_\_\_\_\_  
(A/B/C = CAVITIES ACCEPTING DRILLED STARS)

© 2008Tyco Electronics. All rights reserved.

<b style="font-size: 1.2em; margin-left: 10px;">Raychem</b> Wire and Harnessing Products 300 Constitution Drive Menlo Park, CA 94025, USA			TITLE: <b>HEXASHIELD ADAPTOR FOR                  ARINC 600 CONNECTOR – SIZE 2 –                  SHELL CAVITIES A, B AND C                  PLAIN CLAMPING NUT</b>			
UNLESS OTHERWISE SPECIFIED DIMENSIONS ARE IN MILLIMETERS. INCH DIMENSIONS ARE SHOWN IN BRACKETS		Tyco Electronics reserves the right to amend this drawing at any time. Users should evaluate the suitability of the product for their application.		DOCUMENT NO. <b>HEXA6-AY-90-02-AYY-1-YY</b>		
DRAWN: IRT	DATE: APR 08	CAGE CODE: 06090	DCR # ECO-08-019355	FILE: 87008/A6-90-2-1	SCALE: NONE	SHEET: 3 OF 5

If this document is printed it becomes uncontrolled. Check for the latest revision.

# CUSTOMER DRAWING

REV:  
A

DATE:  
Aug 21, 2008

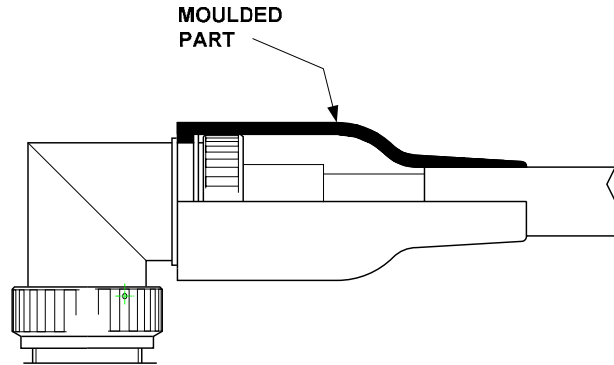
## APPLICATION

- The adaptor is designed to be mounted on the following connectors:

ARINC 600 SIZE 2 Manufactured by AMP, ITT Cannon and Radiall.

- It is qualified to the Raychem specification RB-110.

- The adaptor is principally designed for open wire bundle installation but can accept Raychem heat shrink moulded parts over a jacketed cable where strain relief is required – see illustration.



- Use in conjunction with the ferrules HET-A-0XX, which are purchased separately. Refer to HET-A-0XX S.C.D. for relevant selection details.

## INSTALLATION

-See Installation Procedure RPIP-696-01 for assembly

-See Installation Procedure RPIP-696-00 for shield termination.


## PACKAGING

- All components are supplied in a plastic bag and all bags are packaged in a box.

## NOTES!

1. The Drilled Star option referred to in the Ordering Information and illustrated below, allows unshielded wires to pass through the assembly. When -DS is ordered, **all** stars that allow this modification will be supplied. This option is **not** available with the Stars that hold 8 and 11 ferrules.

© 2008Tyco Electronics. All rights reserved.

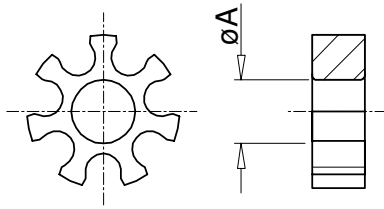
		<b>Raychem</b> Wire and Harnessing Products 300 Constitution Drive Menlo Park, CA 94025, USA		TITLE: <b>HEXASHIELD ADAPTOR FOR ARINC 600 CONNECTOR – SIZE 2 – SHELL CAVITIES A, B AND C PLAIN CLAMPING NUT</b>		
UNLESS OTHERWISE SPECIFIED DIMENSIONS ARE IN MILLIMETERS. INCH DIMENSIONS ARE SHOWN IN BRACKETS		Tyco Electronics reserves the right to amend this drawing at any time. Users should evaluate the suitability of the product for their application.		DOCUMENT NO. <b>HEXA6-AY-90-02-AYY-1-YY</b>		
DRAWN: IRT	DATE: APR 08	CAGE CODE: 06090	DCR # ECO-08-019355	FILE: 87008/A6-90-2-1	SCALE: NONE	SHEET: 4 OF 5

If this document is printed it becomes uncontrolled. Check for the latest revision.

# CUSTOMER DRAWING

REV:  
**A**

DATE:  
Aug 21, 2008

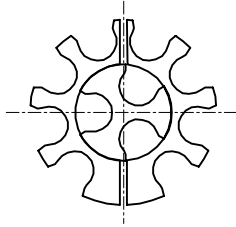


FERRULE QTY	A7	A9
ØA MAX	9.0	12.0
	[0.35"]	[0.47"]

2. Where the ferrule quantities required are standard, the Stars on Body Assemblies items 4 and 5 - are also standard. If the optional quantity is selected then 2 Stars from Body Assembly 5 will be supplied - one "split" and the other one standard. See illustration.

EXAMPLE: FERRULE QUANTITY CODE -A11


-A11 = -A8 SPLIT STAR + -A3 STANDARD STAR



3. The Cavity Plug Assemblies will be supplied in place of Body Assemblies according to the Ferrule Quantity Code ordered. Items 7 can be positioned at either Cavity A or B.

4. Assembly is to be permanently marked with Code Identity Number and Part Number.  
(e.g. 06090 HEXA6-AB-90-02-A25-1)

© 2008 Tyco Electronics. All rights reserved.

 <b>Raychem</b> Wire and Harnessing Products 300 Constitution Drive Menlo Park, CA 94025, USA			TITLE: <b>HEXASHIELD ADAPTOR FOR                  ARINC 600 CONNECTOR – SIZE 2 –                  SHELL CAVITIES A, B AND C                  PLAIN CLAMPING NUT</b>			
UNLESS OTHERWISE SPECIFIED DIMENSIONS ARE IN MILLIMETERS. INCH DIMENSIONS ARE SHOWN IN BRACKETS		Tyco Electronics reserves the right to amend this drawing at any time. Users should evaluate the suitability of the product for their application.		DOCUMENT NO. <b>HEXA6-AY-90-02-AYY-1-YY</b>		
DRAWN: IRT	DATE: APR 08	CAGE CODE: 06090	DCR # ECO-08-019355	FILE: 87008/A6-90-2-1	SCALE: NONE	SHEET: 5 OF 5

If this document is printed it becomes uncontrolled. Check for the latest revision.