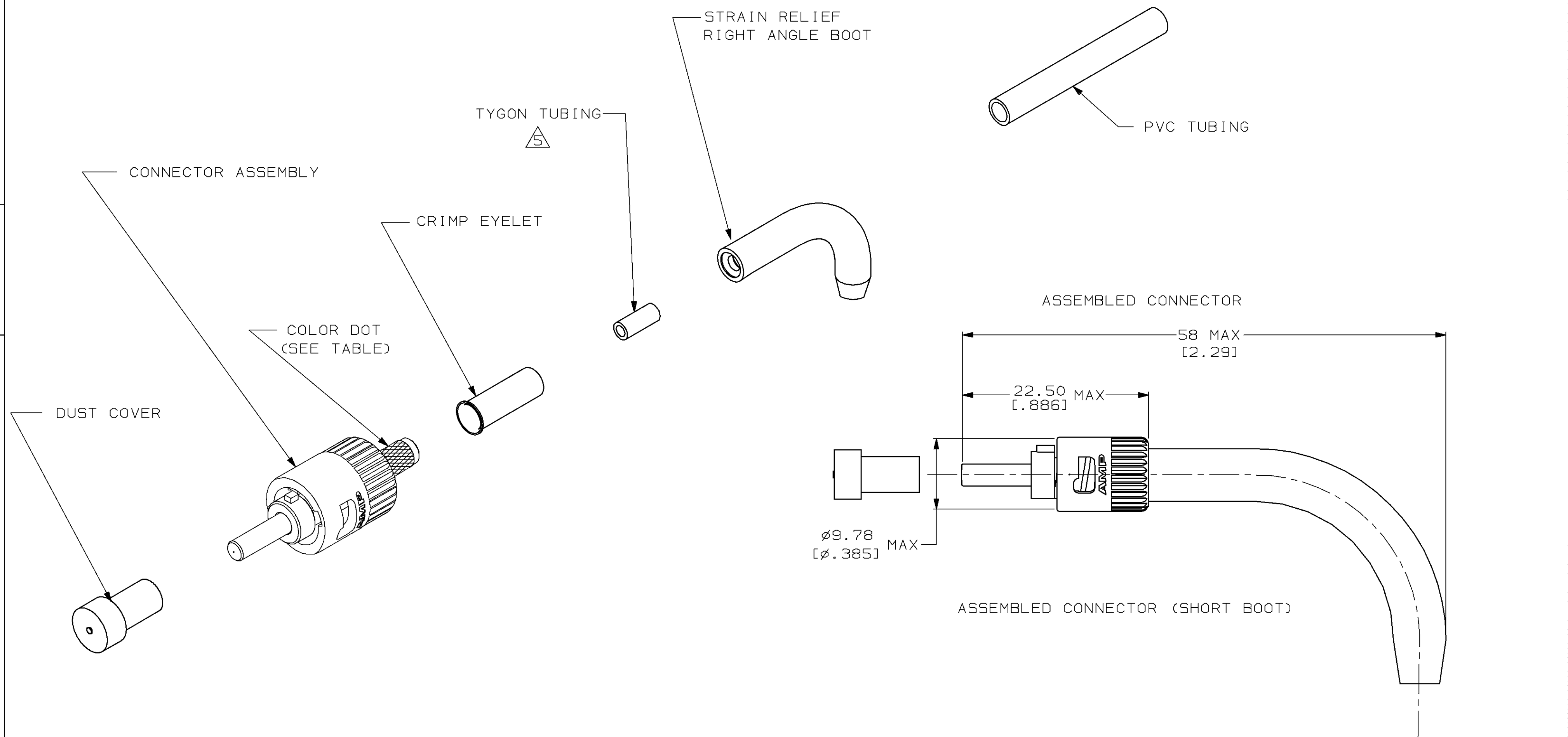


LOC	DIST	P	F	REVISIONS		DATE	APPD
CE	16			ZONE	LTR	DESCRIPTION	
				E		REV PER 0A00-0406-95	11-1-95 DDE



1. DIMENSIONS IN [] ARE IN INCHES.
 2. INSTRUCTION SHEET 6935.
- ③ BODY: BRASS
 CAPILLARY: CERAMIC
 COUPLING NUT: ZINC
 STRAIN RELIEF: TPE
 - ④ BODY: ELECTROLESS NICKEL
 COUPLING NUT: ELECTROLESS NICKEL
 - ⑤ USE WITH 900µm BUFFERED FIBER ONLY.

METRIC

	OBSOLETE	BLACK	GREEN	140±3 µm	502674-2
		BLACK	—	125±2 µm	502674-1
		STRAIN RELIEF COLORS	COLOR DOT	FIBER SIZE	PART NO
DO NOT SCALE PRINT. UNLESS SPECIFIED DIMENSIONS IN mm TOLERANCES ON :	DR 2-1-91 R.HILEMAN	AMP AMP INCORPORATED Harrisburg, Pa. 17105			
2 PLC DEC ± —	CHK 2-1-91 B.BRIGGS				
3 PLC DEC ± —	APPD 2-7-91 F.ANTONICELLI	NAME CONNECTOR KIT, RIGHT ANGLE, 2.5mm BAYONET, OPTIMATE®			
ANGLES ± —	APPD 2-7-91 D.COLLINS				
MATERIAL	PRODUCT SPEC	SIZE FSCM NO DRAWING NO C 00779 502674			
	108-45113				
FINISH	APPLICATION SPEC	SCALE 2:1 SHEET 1 OF 1			
	—				
	WEIGHT				