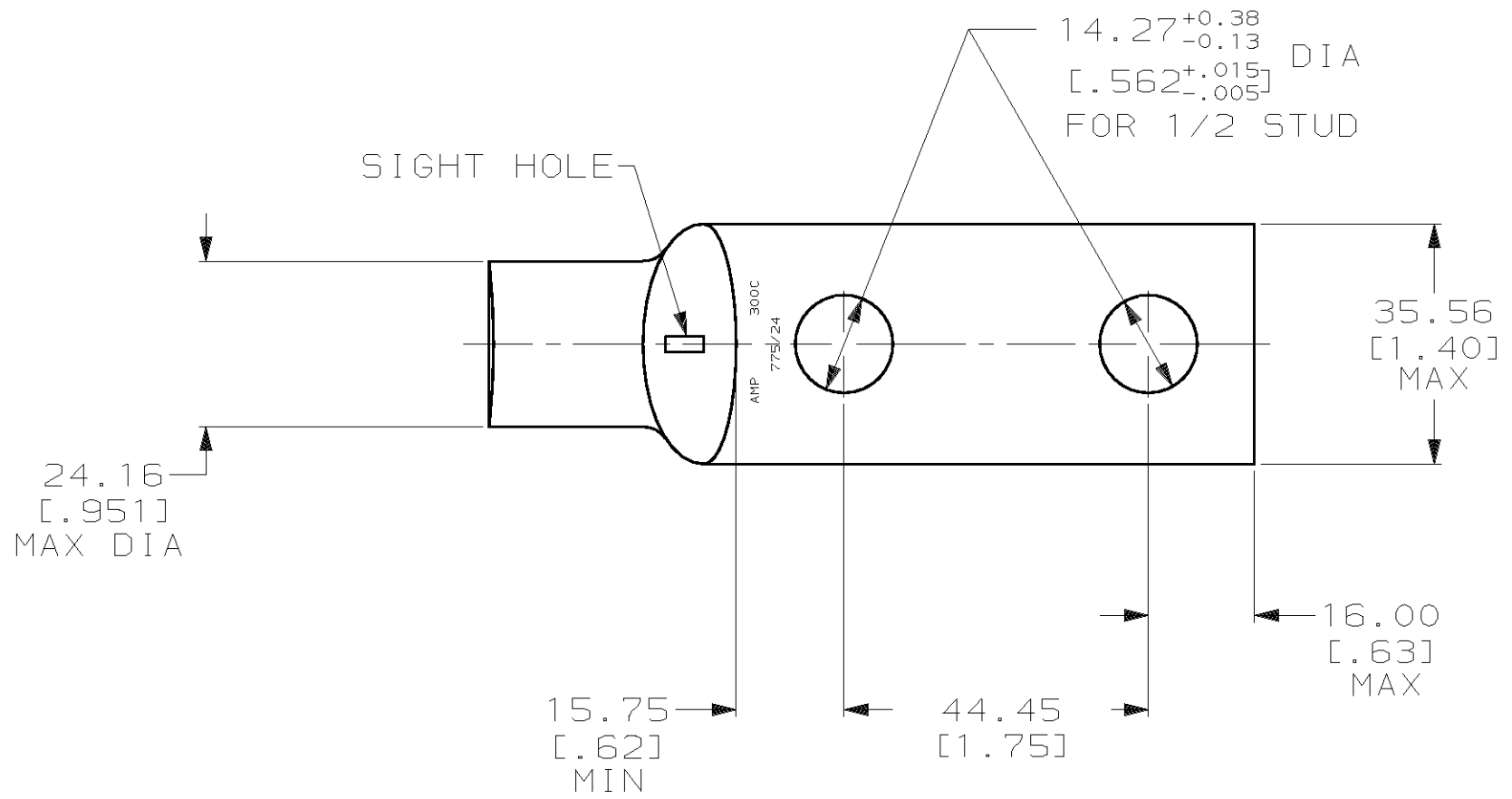
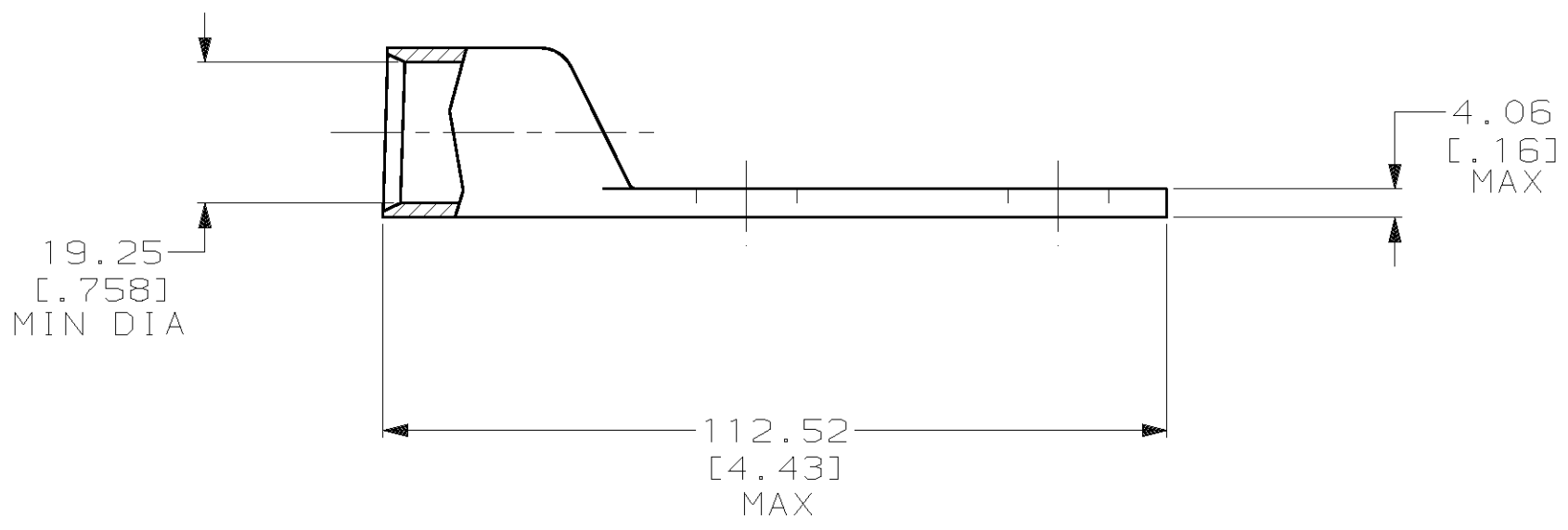


THIS DRAWING IS UNPUBLISHED. RELEASED FOR PUBLICATION  
 © COPYRIGHT 19 BY AMP INCORPORATED. ALL INTERNATIONAL RIGHTS RESERVED.

REVISIONS									
LOC	DIST	P	F	ZONE	LTR	DESCRIPTION	DATE	APPD	
G	86				L	REV PER 063A-0561-02	090CT02	JR/MS	



- 1 CIRCULAR MIL AREA RANGE: 275-325 MCM
- 2 TIN PL 0.00381 [0.00150] MIN THK PER ASTM B 545
- 3 CLEANED, UNPLATED



3	327286-1
2	327286
FINISH	PART NO

DO NOT SCALE PRINT. UNLESS SPECIFIED DIMENSIONS IN mm [INCHES] TOLERANCES ON : 2 PLC DEC ± 0.51 [0.020] 3 PLC DEC ± - ANGLES ± -	DR 02/28/90 DK 5CHRUM	AMP INCORPORATED Harrisburg, Pa. 17105		
	CHK 23JAN95 MS FEHER			NAME
MATERIAL	APPD 23JAN95 WJ VOCKROTH	TERMINAL, AMPPOWER, WIRE SIZE: 300 MCM		
ANNEALED COPPER ASTM B-75	APPD 23JAN95 TL SHUTTER			
FINISH	PRODUCT SPEC 108-30200	SIZE	CAGE CODE	DRAWING NO
SEE TABLE	APPLICATION SPEC -	C	00779	327286
	WEIGHT .250 LB	SCALE	1:1	SHEET 1 OF 1

