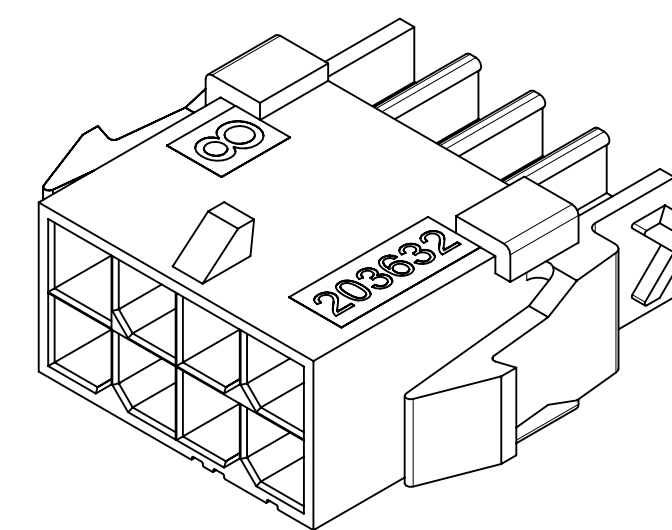
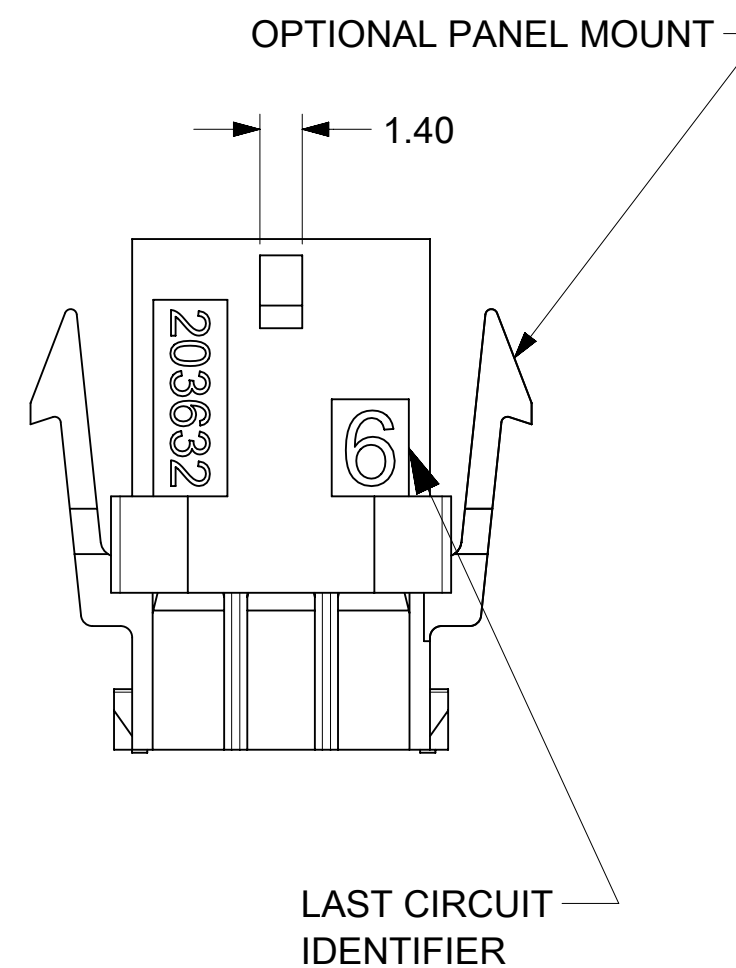
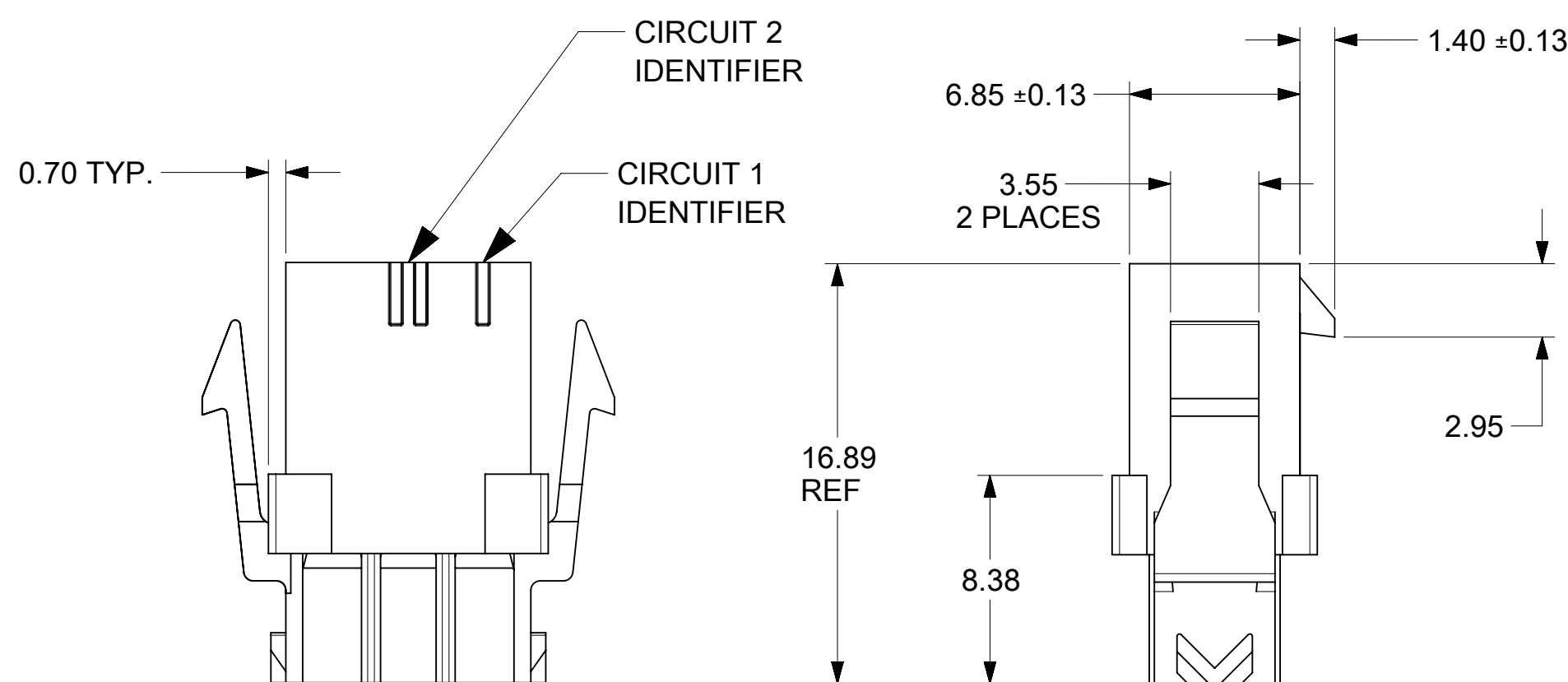


RECOMMENDED PANEL CUTOUT

SEE NOTES 7 AND 9



8 CIRCUIT WITH PANEL MOUNTS

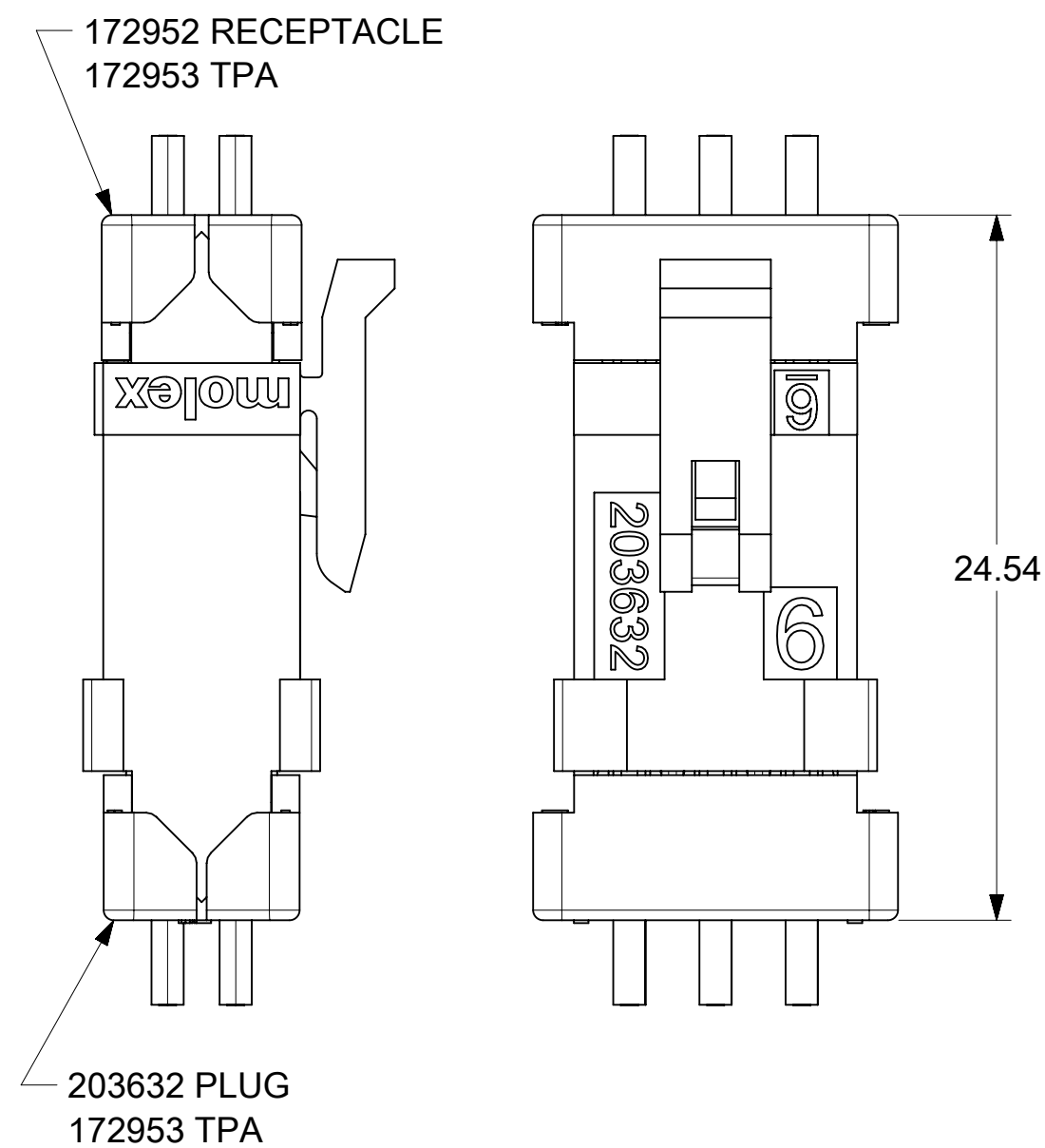
NOTES:

- 1) HOUSING MATERIAL: UNFILLED NYLON, UL94V-0, COLOR-BLACK, (LOW HALOGEN)
- 2) FINISH: N/A
- 3) PRODUCT SPECIFICATION: PS-43045
- 4) PACKAGING SPECIFICATION: 2036320000-PK
- 5) THIS HOUSING MATES WITH MICRO-FIT 172952 TPA RECEPTACLE OR 43025 STANDARD RECEPTACLE.
- 6) THIS HOUSING TO BE USED WITH MOLEX MALE TERMINAL 43031-5***
- 7) DESIGNED FOR 1.40 MINIMUM TO A 2.54 MAXIMUM THICK PANEL OR PRINTED CIRCUIT BOARD.
- 8) SEE SECTION "F"- "F" FOR TERMINAL ORIENTATION IN HOUSING. TERMINALS IN LOWER ROW ARE INSERTED 180° FROM THE UPPER ROW.
- 9) PANEL MOUNT FEATURES MUST LOCK ON SIDE OPPOSITE PUNCH SIDE FOR OPTIMUM RETENTION.
- 10) PART CONFORMS TO CLASS 'B' REQUIREMENTS OF COSMETIC SPECIFICATION PS-45499-002. SOME HOUSINGS MAY HAVE A SMALL GATE BLEMISH NEAR THE GATE LOCATION THAT DOES NOT AFFECT FUNCTIONALITY.
- 11) TEXT ON PART IS FOR REFERENCE ONLY. TEXT AND TEXT LOCATION MAY VARY DEPENDING ON PART NUMBER AND/OR TOOLING.
- 12) HOUSING DESIGNED FOR USE WITH 172953-xx01 TPA. NEVER USE WITHOUT TPA.
- 13) INTENDED FOR USE WITH 20-30 AWG WIRES ONLY

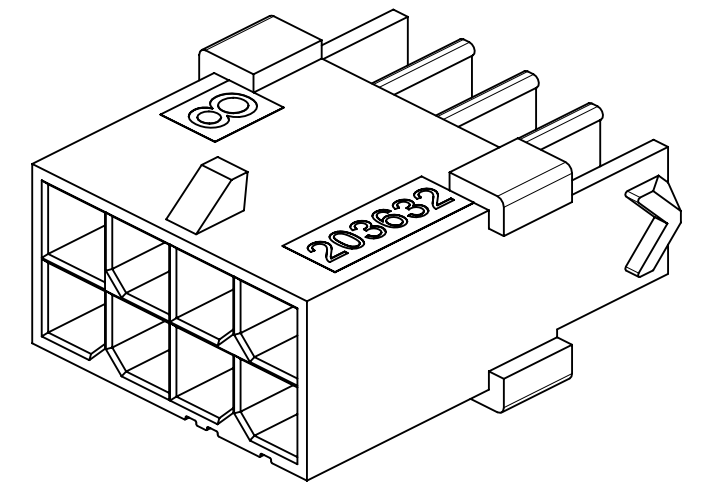
| | | | | |
|--|---|---------|-------------------------------|-----------------|
| FUNCTIONAL SYMBOLS | THIS DRAWING CONTAINS INFORMATION THAT IS PROPRIETARY TO MOLEX ELECTRONIC TECHNOLOGIES, LLC AND SHOULD NOT BE USED WITHOUT WRITTEN PERMISSION | | CURRENT REV DESC: ADD NOTE 13 | |
| | DIMENSION UNITS | SCALE | | |
| FA = 0 | mm | 4:1 | | |
| E = 0 | GENERAL TOLERANCES (UNLESS SPECIFIED) | | | |
| | ANGULAR TOL ± 0.5° | | | |
| DIVISIONAL SYMBOLS | 4 PLACES | ± | EC NO: 723726 | 2022/02/25 |
| | 3 PLACES | ± | DRWN: MKIPPER | 2022/10/12 |
| | 2 PLACES | ± 0.25 | CHK'D: MKIPPER | 2022/10/13 |
| | 1 PLACE | ± 0.35 | APPR: FSMITH | |
| | 0 PLACES | ± | INITIAL REVISION: | |
| | | | DRWN: MKIPPER | 2017/04/07 |
| | | | APPR: FSMITH | 2017/07/20 |
| DRAFT WHERE APPLICABLE MUST REMAIN WITHIN DIMENSIONS | THIRD ANGLE PROJECTION | DRAWING | SERIES | MATERIAL NUMBER |
| | | C-SIZE | 203632 | SEE CHART |
| | | | | CUSTOMER |
| | | | | GENERAL MARKET |
| | | | | SHEET NUMBER |
| | | | | 1 OF 2 |

| | | | | |
|-----------------|----|--------------|------------|----------|
| DOCUMENT STATUS | P1 | RELEASE DATE | 2022/10/13 | 13:32:55 |
|-----------------|----|--------------|------------|----------|

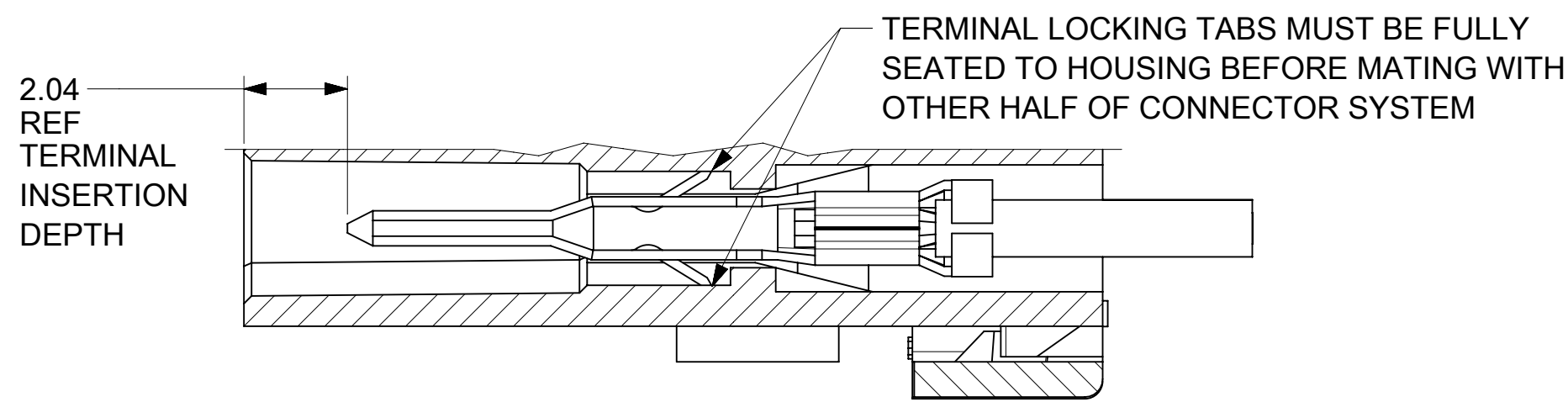
| PART NUMBER | PART CHARACTERISTICS | | | | | |
|-------------|----------------------|-------------|-------|-------|-------|-------|
| | NUMBER OF POSITION | PANEL MOUNT | DIM A | DIM B | DIM C | DIM D |
| 2036320400 | 4 | YES | 6.85 | 3.00 | 7.21 | 10.89 |
| 2036320401 | | NO | | | | |
| 2036320600 | 6 | YES | 9.85 | 6.00 | 10.21 | 13.89 |
| 2036320601 | | NO | | | | |
| 2036320800 | 8 | YES | 12.85 | 9.00 | 13.21 | 16.89 |
| 2036320801 | | NO | | | | |
| 2036321000 | 10 | YES | 15.85 | 12.00 | 16.21 | 19.89 |
| 2036321001 | | NO | | | | |
| 2036321200 | 12 | YES | 18.85 | 15.00 | 19.21 | 22.89 |
| 2036321201 | | NO | | | | |
| 2036321400 | 14 | YES | 21.85 | 18.00 | 22.21 | 25.89 |
| 2036321401 | | NO | | | | |
| 2036321600 | 16 | YES | 24.85 | 21.00 | 25.21 | 28.89 |
| 2036321601 | | NO | | | | |
| 2036321800 | 18 | YES | 27.85 | 24.00 | 28.21 | 31.89 |
| 2036321801 | | NO | | | | |
| 2036322000 | 20 | YES | 30.85 | 27.00 | 31.21 | 34.89 |
| 2036322001 | | NO | | | | |
| 2036322200 | 22 | YES | 33.85 | 30.00 | 34.21 | 37.89 |
| 2036322201 | | NO | | | | |
| 2036322400 | 24 | YES | 36.85 | 33.00 | 37.21 | 40.89 |
| 2036322401 | | NO | | | | |



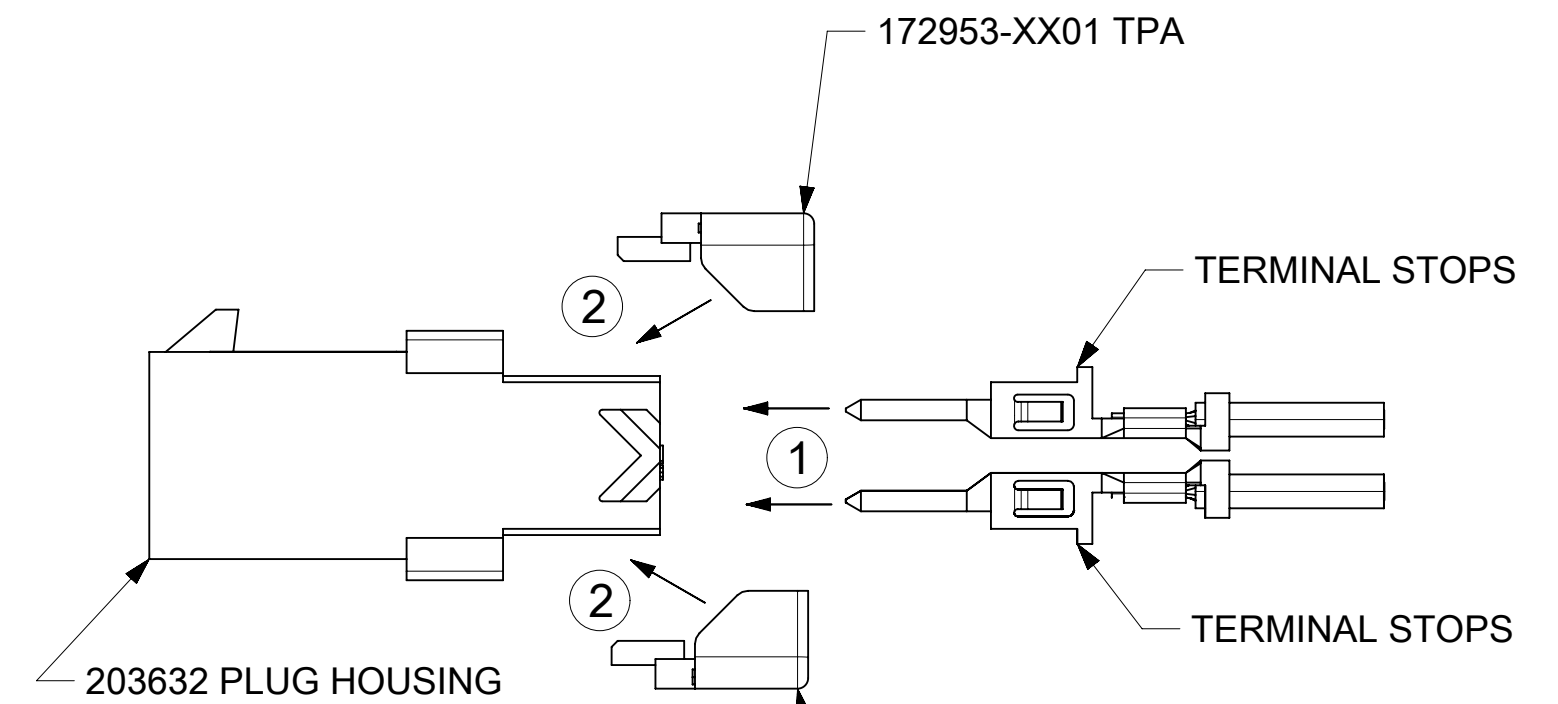
MATED MICRO-FIT CONNECTOR
(WITH TPA INSTALLED)



8 CIRCUIT WITHOUT PANEL MOUNTS

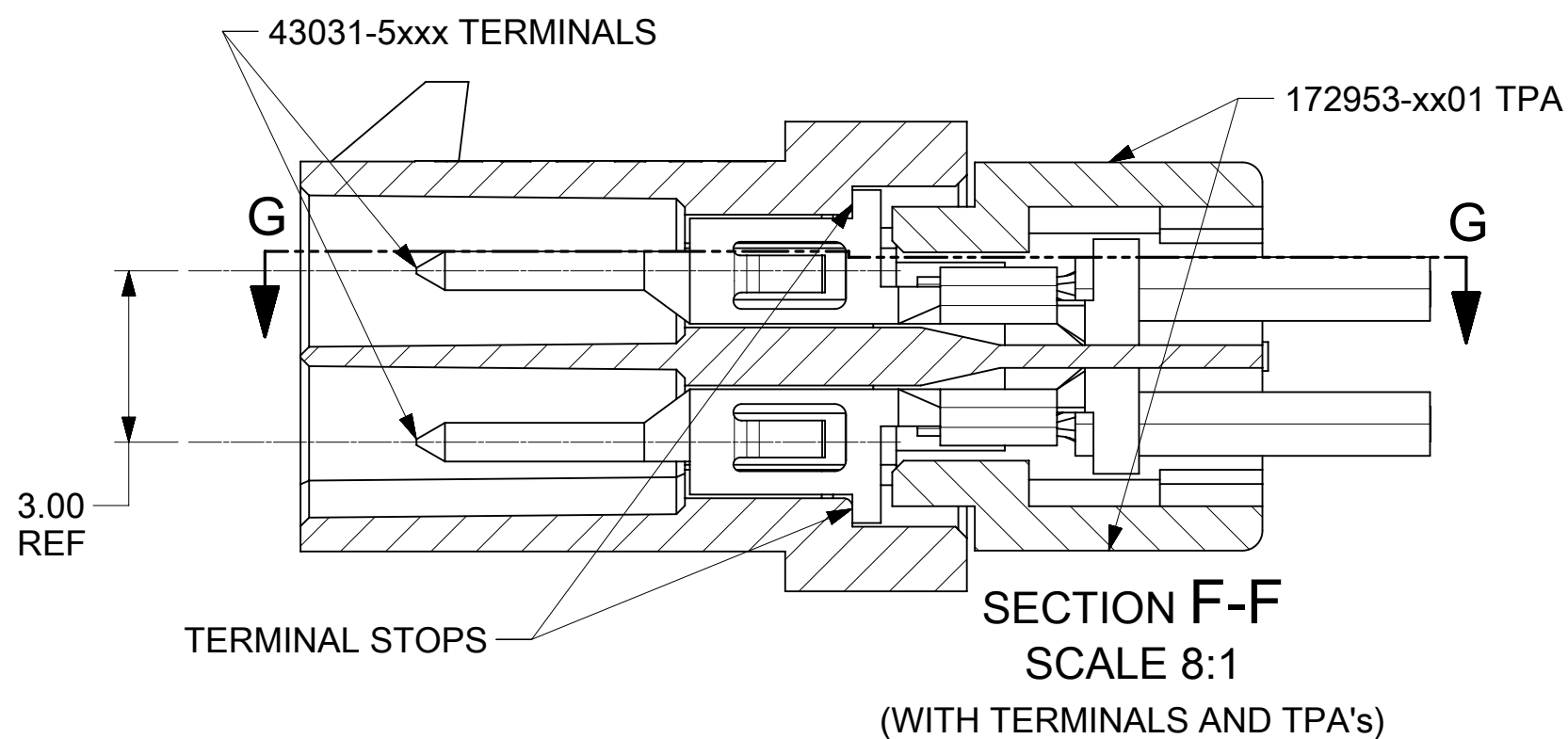


SECTION G-G
SCALE 8:1



TERMINAL AND TPA
ORIENTATION AND ASSEMBLY

NEVER USE WITHOUT TPA



SECTION F-F
SCALE 8:1
(WITH TERMINALS AND TPA's)

| | | | | | |
|--|---|------------------------|-------------------------------|-----------------|--------------------------------|
| FUNCTIONAL SYMBOLS | THIS DRAWING CONTAINS INFORMATION THAT IS PROPRIETARY TO MOLEX ELECTRONIC TECHNOLOGIES, LLC AND SHOULD NOT BE USED WITHOUT WRITTEN PERMISSION | | CURRENT REV DESC: ADD NOTE 13 | | |
| | DIMENSION UNITS | SCALE | | | |
| $F_A = 0$ | mm | 4:1 | | | |
| $F_C = 0$ | GENERAL TOLERANCES (UNLESS SPECIFIED) | | | | |
| $F_P = 0$ | ANGULAR TOL $\pm 0.5^\circ$ | | | | |
| DIVISIONAL SYMBOLS | 4 PLACES | \pm | EC NO: 723726 | 2022/02/25 | |
| | 3 PLACES | \pm | DRWN: MKIPPER | 2022/10/12 | |
| | 2 PLACES | ± 0.25 | CHK'D: MKIPPER | 2022/10/13 | |
| | 1 PLACE | ± 0.35 | APPR: FSMITH | | |
| | 0 PLACES | \pm | INITIAL REVISION: | | |
| DRAFT WHERE APPLICABLE MUST REMAIN WITHIN DIMENSIONS | | THIRD ANGLE PROJECTION | DRAWING | SERIES | |
| | | | C-SIZE | 203632 | |
| DOCUMENT STATUS | P1 | RELEASE DATE | 2022/10/13 13:32:55 | | |
| | | | | DOCUMENT NUMBER | DOC TYPE DOC PART REVISION |
| | | | | 2036320000-SD | PSD 000 A3 |
| | | | | MATERIAL NUMBER | CUSTOMER |
| | | | | SEE CHART | GENERAL MARKET |
| | | | | SHEET NUMBER | |
| | | | | 2 OF 2 | |

molex

MICROFIT (3.0) TPA DUAL ROW PLUG HOUSING
WITH OPTIONAL PANEL MOUNT

PRODUCT CUSTOMER DRAWING

DOCUMENT NUMBER | DOC TYPE | DOC PART | REVISION

2036320000-SD | PSD | 000 | A3

MATERIAL NUMBER | CUSTOMER

SEE CHART | GENERAL MARKET

SHEET NUMBER

2 OF 2