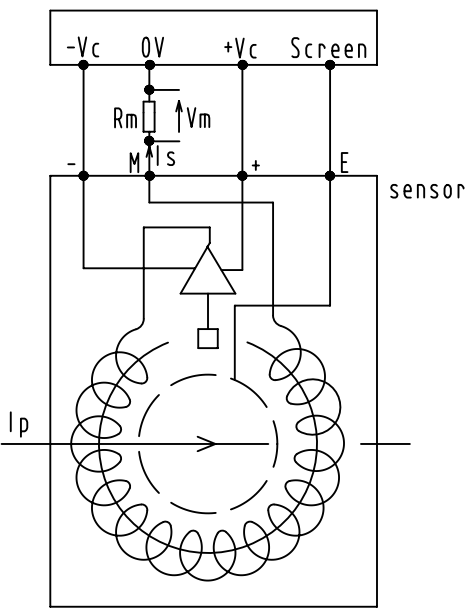
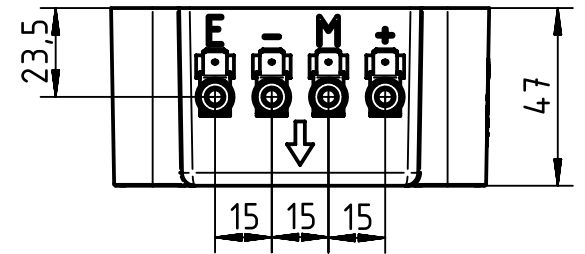
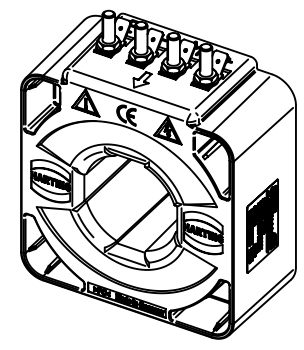
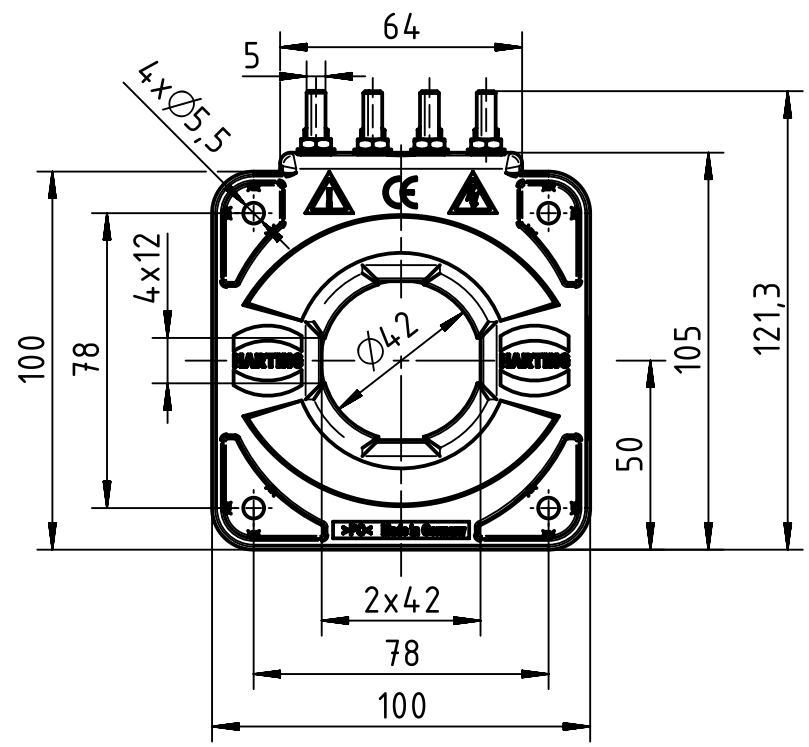
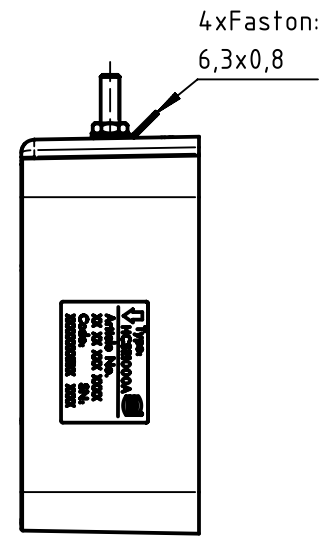
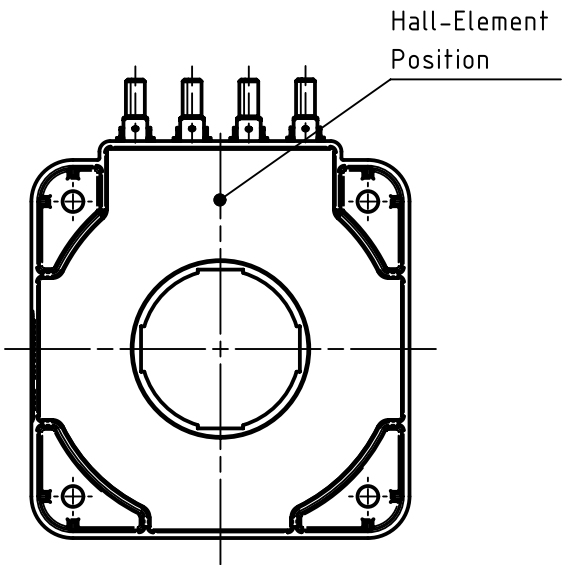


1 2 3 4 5 6

A
B
C
D



4x locknut M5 unmounted included

	All rights reserved Department EL PD - DE	All Dimensions in mm Original Size DIN A4		Scale 1:2	Free size tol.	Ref. Sub.
		Created by MATAU	Inspected by VOLAR	Standardisation TIEMANNA	Date 2015-07-02	State Final Release
HARTING Electric GmbH & Co. KG D-32339 Espelkamp		Title CURRENT SENSOR 1000A RAILW. (4000 Turns)			Doc-Key / ECM-Nr. 100625665/UGD/000/A 500000091012	
		Type TB	Number 20 31 100 9107		Rev. A	Page 1/1