

D

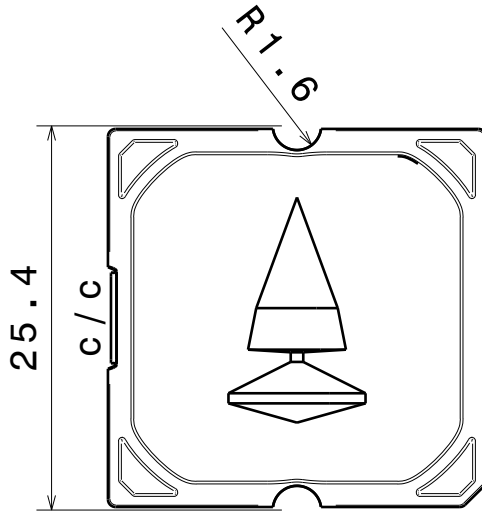
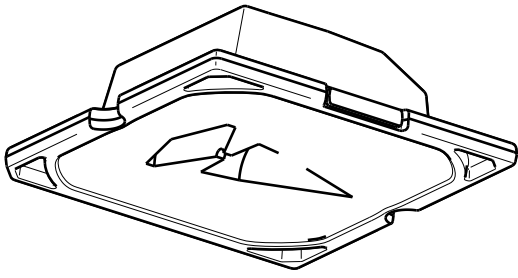
C

B

A

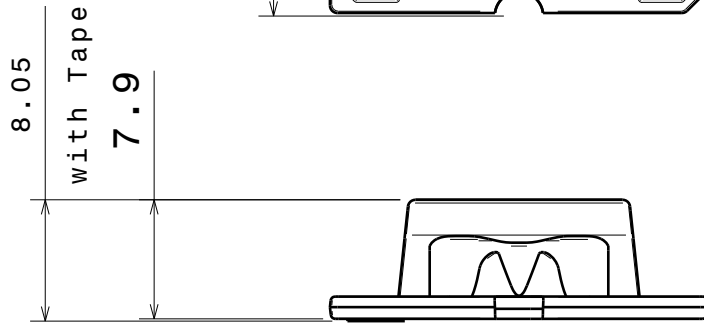
4

4



3

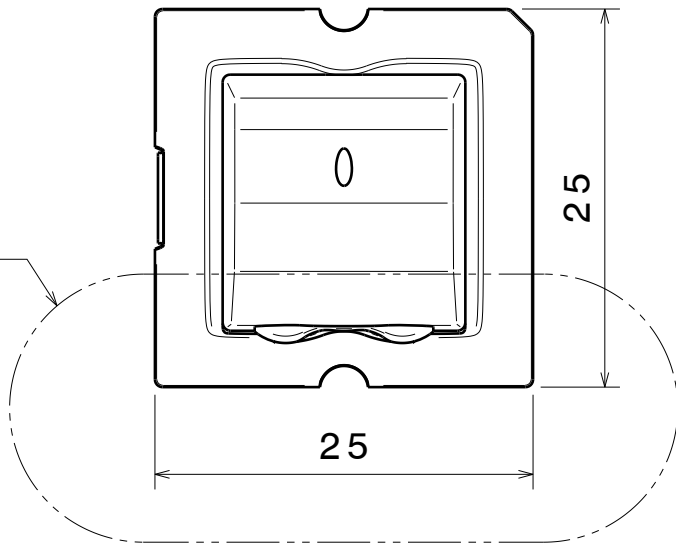
3



2

2

Beam direction



Part no.s:
C11889_Strada-SQ-T-DN-XM-L

Part no.s with tape:
CA11890_Strada-SQ-T-DN-XM-L-TAPE

MATERIALS
Lens: PMMA
Tape(optional): Acrylic foam

This drawing is our property.
It can't be reproduced
or communicated without
our written agreement.



Ledil Oy
Salorankatu 10
FIN-24100 SALO
Finland

DRAWING TITLE

Datasheet C12313_STRADA-SQ-T-DN

DRAWN BY

ah

DATE

11.9.2012

CHECKED BY

sn

DATE

11.9.2012

SIZE

A4

DRAWING NUMBER

REV

1

DESIGNED BY

hh

DATE

01.12.2010

SCALE

2:1

WEIGHT (g)

SHEET

1/1

D

A

1

1