

TPS7B4254-Q1 150-mA 40-V Voltage-Tracking LDO With 4-mV Tracking Tolerance

1 Features

- Qualified for Automotive Applications
- AEC-Q100 Qualified With the Following Results
 - Device Temperature Grade 1: –40°C to 125°C Ambient Operating Temperature Range
 - Device HBM ESD Classification Level 3A
 - Device CDM ESD Classification Level C6
- –40-V to 45-V Wide Input-Voltage Range (Maximum)
- Output-Voltage Adjust Range: 2 V to 40 V
- 150-mA Output Current Capability
- Very Low Output-Tracking Tolerance, ± 4 mV
- 160-mV Low-Dropout Voltage When $I_{OUT} = 100$ mA
- Low Quiescent Current ($I_{(Q)}$):
 - < 4 μ A When ADJ = LOW
 - 60 μ A Typical at Light Load
- Extremely Wide ESR Range
 - 10- μ F to 500- μ F Ceramic Output Capacitor
 - ESR Range from 1 m Ω to 20 Ω
- Reverse Polarity Protection
- Current-Limit and Thermal-Shutdown Protection
- Output Short-Circuit-Proof to Ground and Supply
- Inductive Clamp at OUT Pin
- 8-Pin SO PowerPAD™ Package With Exposed Thermal Pad

2 Applications

- Off-Board Sensor Supply
- High-Precision Voltage Tracking
- Power Switch for Off-Board Load

3 Description

For automotive off-board sensors and low-current off-board modules, the power supply is through a long cable from the main board. In such cases, protection is required in the power devices for the off-board loads to prevent the onboard components from damage during a short to GND or short to battery caused by a broken cable. Off-board sensors require a power supply as consistent as that for onboard components to secure high accuracy of data acquisition.

The TPS7B4254-Q1 device is designed for automotive applications with a 45-V load dump. The device can either be used as one tracking low-dropout (LDO) regulator or as a voltage tracker to build one closed power loop for off-board sensors with an onboard main supply. The output of the device is accurately regulated by a reference voltage at the ADJ pin.

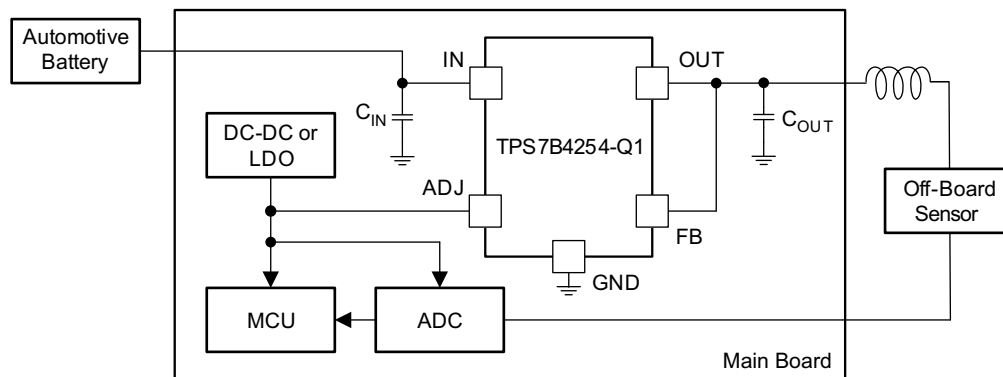
To provide an accurate power supply to the off-board modules, the device offers a 4-mV ultralow tracking tolerance between the ADJ and FB pins across temperature. The back-to-back PMOS topology eliminates the need for an external diode under a reverse-polarity condition. The TPS7B4254-Q1 device also includes thermal shutdown, inductive clamp, overload, and short-to-battery protection to prevent damage to onboard components during extreme conditions.

Device Information⁽¹⁾

PART NUMBER	PACKAGE	BODY SIZE (NOM)
TPS7B4254-Q1	SO PowerPAD (8)	4.89 mm × 3.90 mm

(1) For all available packages, see the orderable addendum at the end of the data sheet.

Typical Application Schematic



Copyright © 2016, Texas Instruments Incorporated



Table of Contents

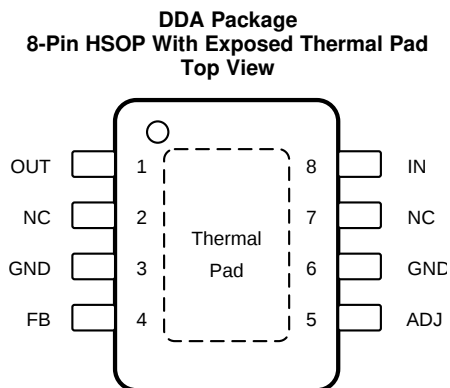
1 Features	1	7.4 Device Functional Modes.....	13
2 Applications	1	8 Application and Implementation	14
3 Description	1	8.1 Application Information.....	14
4 Revision History	2	8.2 Typical Applications	14
5 Pin Configuration and Functions	3	9 Power Supply Recommendations	17
6 Specifications	4	10 Layout	18
6.1 Absolute Maximum Ratings	4	10.1 Layout Guidelines	18
6.2 ESD Ratings.....	4	10.2 Layout Example	18
6.3 Recommended Operating Conditions.....	4	11 Device and Documentation Support	19
6.4 Thermal Information	5	11.1 Receiving Notification of Documentation Updates	19
6.5 Electrical Characteristics.....	5	11.2 Community Resources.....	19
6.6 Typical Characteristics	6	11.3 Trademarks	19
7 Detailed Description	10	11.4 Electrostatic Discharge Caution.....	19
7.1 Overview	10	11.5 Glossary	19
7.2 Functional Block Diagram	10	12 Mechanical, Packaging, and Orderable Information	19
7.3 Feature Description.....	10		

4 Revision History

Changes from Revision A (May 2016) to Revision B	Page
• Changed MIN values for V_{ADJ} , V_{FB} , and V_{OUT} in the <i>Recommended Operating Conditions</i> table	4

Changes from Original (April 2016) to Revision A	Page
• Changed data sheet from PRODUCT PREVIEW to PRODUCTION DATA	1

5 Pin Configuration and Functions



NC – No internal connection

Pin Functions

PIN		TYPE ⁽¹⁾	DESCRIPTION
NAME	NO.		
ADJ	5	I	Connect the reference to this pin. A low signal disables the device and a high signal enables the device. The reference voltage can be connected directly or by a voltage divider for lower output voltages. To compensate for line influences, connect a capacitor close to the device pin.
FB	4	I	This pin is the feedback pin, which can connect to the external resistor divider to select the output voltage.
GND	3, 6	G	Ground reference
IN	8	I	This pin is the device supply. To compensate for line influences, connect a capacitor close to the device pin.
NC	2, 7	NC	Not internally connected.
OUT	1	O	Block to GND with a capacitor close to the device pins with respect to the capacitance and ESR requirements listed in the Output Capacitor section.
Exposed thermal pad		—	Connect the thermal pad to the GND pin or leave it floating.

(1) I = input, O = output, G = ground, NC = no internal connection

6 Specifications

6.1 Absolute Maximum Ratings

over operating ambient temperature range (unless otherwise noted)⁽¹⁾

		MIN	MAX	UNIT
Unregulated input voltage	IN ⁽²⁾	-40	45	V
Regulated output voltage	OUT ⁽²⁾⁽³⁾	-1	45	V
Voltage difference between the input and output	IN – OUT	-40	45	V
Reference voltage	ADJ ⁽²⁾	-0.3	45	V
Feedback input voltage for the tracker	FB ⁽²⁾	-1	45	V
Reference voltage minus the input voltage	ADJ – IN ⁽⁴⁾		18	V
Operating junction temperature, T _J		-40	150	°C
Storage temperature, T _{stg}		-65	150	°C

- (1) Stresses beyond those listed under *Absolute Maximum Ratings* may cause permanent damage to the device. These are stress ratings only, which do not imply functional operation of the device at these or any other conditions beyond those indicated under *Recommended Operating Conditions*. Exposure to absolute-maximum-rated conditions for extended periods may affect device reliability.
- (2) All voltage values are with respect to the GND pin.
- (3) An internal diode is connected between the OUT and GND pins with 600-mA dc current capability for inductive clamp protection.
- (4) When the (ADJ – IN) voltage is higher than 18 V, the (ADJ – OUT) voltage should be maintained lower than 18 V, otherwise the device can be damaged.

6.2 ESD Ratings

			VALUE	UNIT	
V _(ESD)	Electrostatic discharge	Human-body model (HBM), per AEC Q100-002 ⁽¹⁾	All pins except NC	±4000	V
			NC pins	±2000	
		Charged-device model (CDM), per AEC Q100-011		±1000	

- (1) AEC Q100-002 indicates that HBM stressing shall be in accordance with the ANSI/ESDA/JEDEC JS-001 specification.

6.3 Recommended Operating Conditions

over operating ambient temperature range (unless otherwise noted)⁽¹⁾

		MIN	MAX	UNIT
V _{IN}	Unregulated input voltage ⁽²⁾	4	40	V
V _{ADJ}	Reference input voltage	2	18	V
V _{FB}	Feedback input voltage for the tracker	2	18	V
V _{OUT}	Regulated output voltage	2	40	V
C _{OUT}	Output capacitor requirements ⁽³⁾	10	500	μF
	Output ESR requirements ⁽⁴⁾	0.001	20	Ω
T _J	Operating junction temperature	-40	150	°C

- (1) Within the functional range the device operates as described in the circuit description. The electrical characteristics are specified within the conditions given in the related [Electrical Characteristics](#) table.
- (2) V_{IN} > V_{ADJ} + V_{DROPOUT}
- (3) The minimum output capacitance requirement is applicable for a worst-case capacitance tolerance of 30%. When a resistor divider is connected between the OUT and FB pins (the output voltage is higher than reference voltage), a 47-nF feedforward capacitor is required to be connected between the OUT and FB pins for loop stability, and the ESR range of the output capacitor is required to be from 0.001 to 10 Ω.
- (4) Relevant ESR value at f = 10 kHz

6.4 Thermal Information

THERMAL METRIC ⁽¹⁾		TPS7B4254-Q1	
		DDA (HSOP)	
		8 PINS	
Symbol	Description	Value	Unit
$R_{\theta JA}$	Junction-to-ambient thermal resistance	45.4	°C/W
$R_{\theta JC(top)}$	Junction-to-case (top) thermal resistance	51.1	°C/W
$R_{\theta JB}$	Junction-to-board thermal resistance	27	°C/W
Ψ_{JT}	Junction-to-top characterization parameter	8.2	°C/W
Ψ_{JB}	Junction-to-board characterization parameter	26.9	°C/W
$R_{\theta JC(bot)}$	Junction-to-case (bottom) thermal resistance	6.4	°C/W

(1) For more information about traditional and new thermal metrics, see the *Semiconductor and IC Package Thermal Metrics* application report, [SPRA953](#).

6.5 Electrical Characteristics

$V_{IN} = 13.5\text{ V}$, $V_{ADJ} \geq 2\text{ V}$, $T_J = -40^\circ\text{C}$ to 150°C , over operating ambient temperature range (unless otherwise noted)

PARAMETER	TEST CONDITIONS	MIN	TYP	MAX	UNIT
$V_{IN(UVLO)}$ IN undervoltage detection	V_{IN} rising			3.65	V
	V_{IN} falling			2.8	V
ΔV_{OUT} Output voltage tracking accuracy ⁽¹⁾	$I_{OUT} = 100\ \mu\text{A}$ to $150\ \text{mA}$, $V_{IN} = 4$ to $40\ \text{V}$ $V_{ADJ} < V_{IN} - 1\ \text{V}$ $2\ \text{V} < V_{ADJ} < 18\ \text{V}$	-4		4	mV
$\Delta V_{OUT(\Delta IO)}$ Load regulation, steady-state	$I_{OUT} = 0.1$ to $150\ \text{mA}$, $V_{ADJ} = 5\ \text{V}$			4	mV
$\Delta V_{OUT(\Delta VI)}$ Line regulation, steady-state	$I_{OUT} = 10\ \text{mA}$, $V_{IN} = 6$ to $40\ \text{V}$, $V_{ADJ} = 5\ \text{V}$			4	mV
PSRR Power-supply ripple rejection	$f_{rip} = 100\ \text{Hz}$, $V_{rip} = 0.5\ \text{VPP}$, $C_{OUT} = 10\ \mu\text{F}$, $I_{OUT} = 100\ \text{mA}$		70		dB
$V_{DROPOUT}$ Dropout voltage ($V_{DROPOUT} = V_{IN} - V_{OUT}$)	$I_{OUT} = 100\ \text{mA}$, $V_{IN} = V_{ADJ} \geq 4\ \text{V}^{(2)}$		160	260	mV
$I_{OUT(LIM)}$ Output current limitation	$V_{ADJ} = 5\ \text{V}$, OUT short to GND	151	450	520	mA
$I_{R(IN)}$ Reverse current at IN	$V_{IN} = 0\ \text{V}$, $V_{OUT} = 40\ \text{V}$, $V_{ADJ} = 5\ \text{V}$	-2		0	μA
$I_{R(-IN)}$ Reverse current at negative IN	$V_{IN} = -40\ \text{V}$, $V_{OUT} = 0\ \text{V}$, $V_{ADJ} = 5\ \text{V}$	-10			μA
T_{SD} Thermal shutdown temperature			175		°C
T_{SD_hys} Thermal shutdown hysteresis			15		°C
I_Q Current consumption	$4\ \text{V} \leq V_{IN} \leq 40\ \text{V}$, $V_{ADJ} = 0\ \text{V}$		2	4	μA
	$4\ \text{V} \leq V_{IN} \leq 40\ \text{V}$, $V_{ADJ} = 5\ \text{V}$, $I_{OUT} < 100\ \mu\text{A}$		60	100	μA
	$4\ \text{V} \leq V_{IN} \leq 40\ \text{V}$, $V_{ADJ} = 5\ \text{V}$, $I_{OUT} < 150\ \text{mA}$		210	260	μA
$I_{Q(DROPOUT)}$ Current consumption in dropout region	$V_{IN} = V_{ADJ} = 5\ \text{V}$, $I_{OUT} = 100\ \mu\text{A}$		70	140	μA
I_{ADJ} Reference input current	$V_{ADJ} = V_{FB} = 5\ \text{V}$			5.5	μA
$V_{ADJ(LOW)}$ Reference low signal valid	$V_{OUT} = 0\ \text{V}$	0		0.7	V
$V_{ADJ(HIGH)}$ Reference high signal valid	$ V_{OUT} - V_{ADJ} < 4\ \text{mV}$	2		18	V
I_{FB} FB bias current	$V_{ADJ} = V_{FB} = 5\ \text{V}$			0.5	μA

- (1) The tracking accuracy is specified when the FB pin is directly connected to the OUT pin which means $V_{ADJ} = V_{OUT}$, external resistor divider variance is not included.
- (2) Measured when the output voltage, V_{OUT} , has dropped 10 mV from the nominal value.

6.6 Typical Characteristics

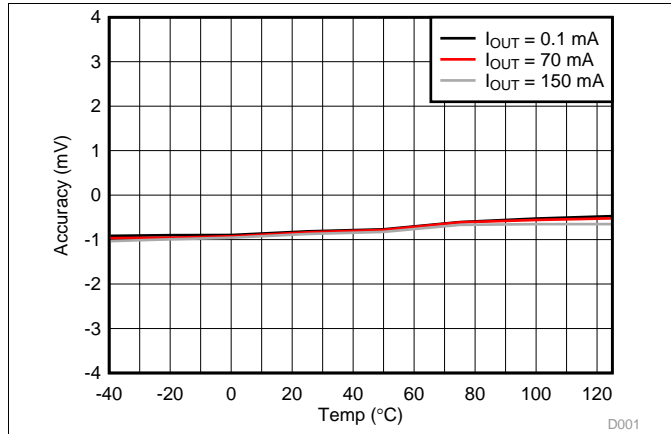


Figure 1. Tracking Accuracy vs Ambient Temperature

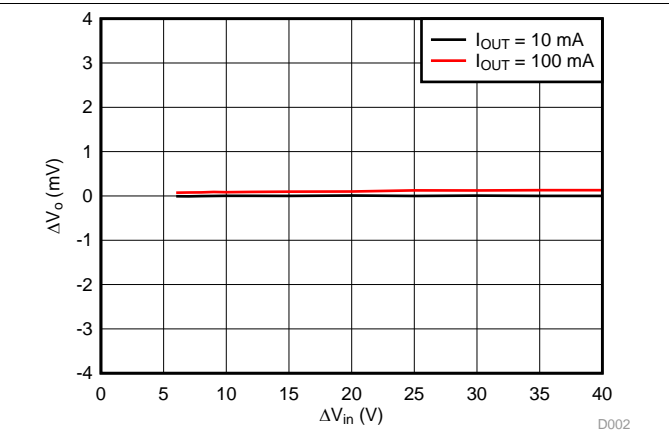


Figure 2. Line Regulation

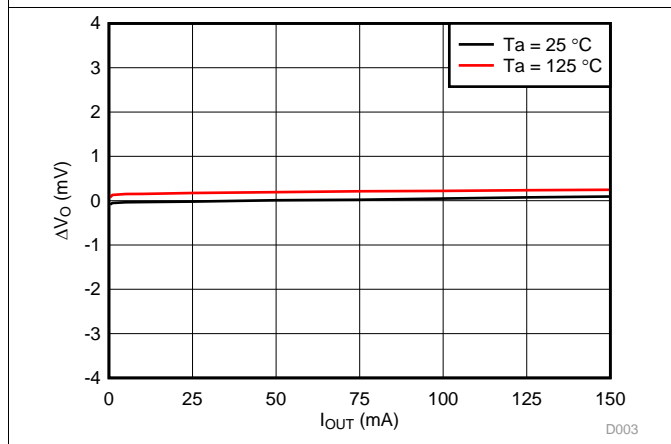
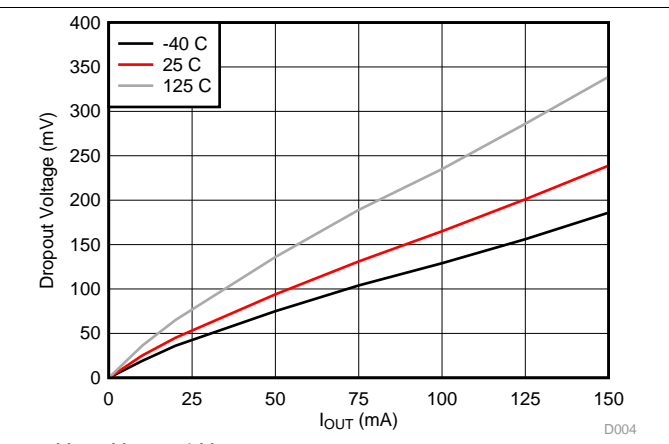
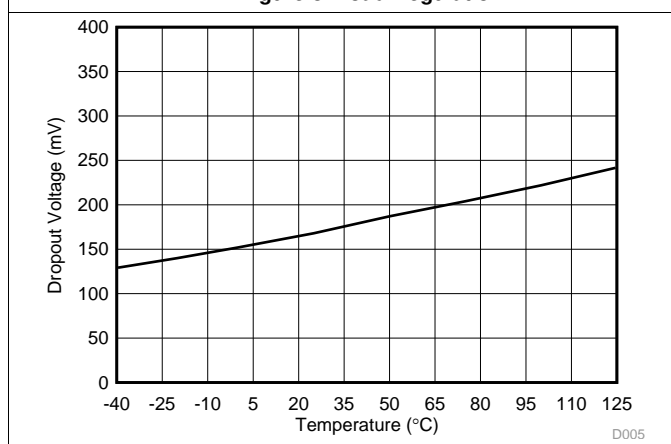


Figure 3. Load Regulation



$V_{IN} = V_{ADJ} = 4\text{ V}$

Figure 4. Dropout Voltage vs Output Current



$V_{IN} = V_{ADJ} = 4\text{ V}$ $I_{OUT} = 100\text{ mA}$

Figure 5. Dropout Voltage vs Ambient Temperature

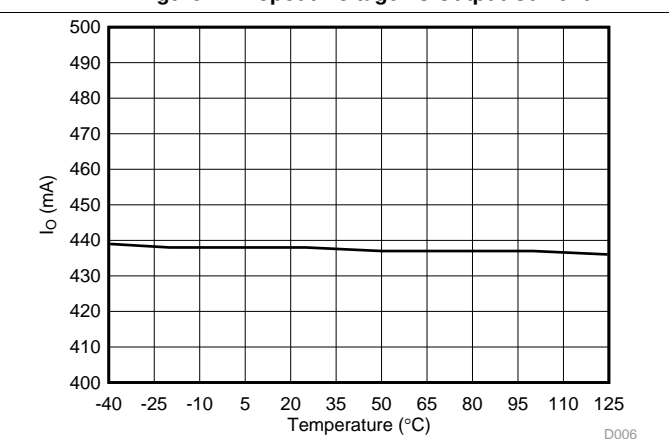


Figure 6. Current Limit ($I_{OUT(LIM)}$) vs Ambient Temperature

Typical Characteristics (continued)

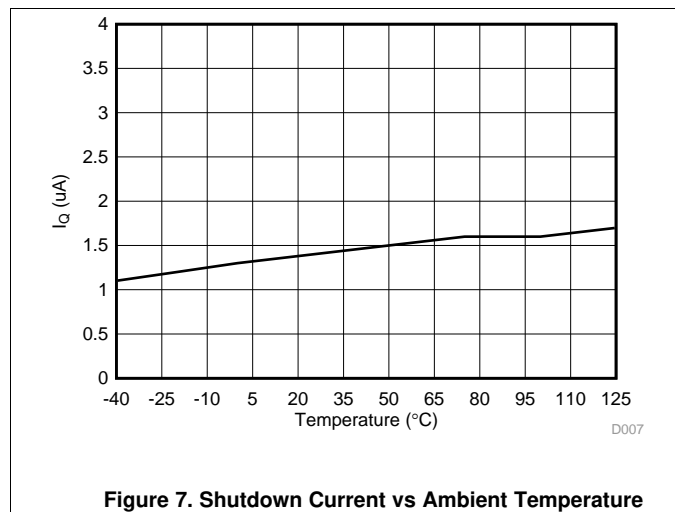


Figure 7. Shutdown Current vs Ambient Temperature

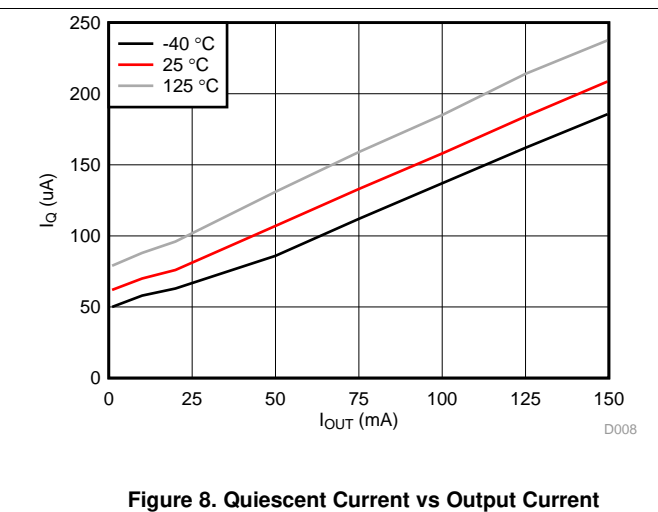


Figure 8. Quiescent Current vs Output Current

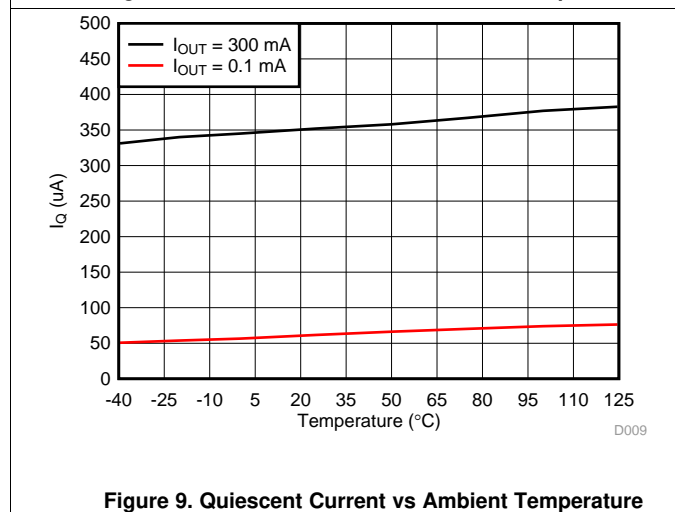


Figure 9. Quiescent Current vs Ambient Temperature

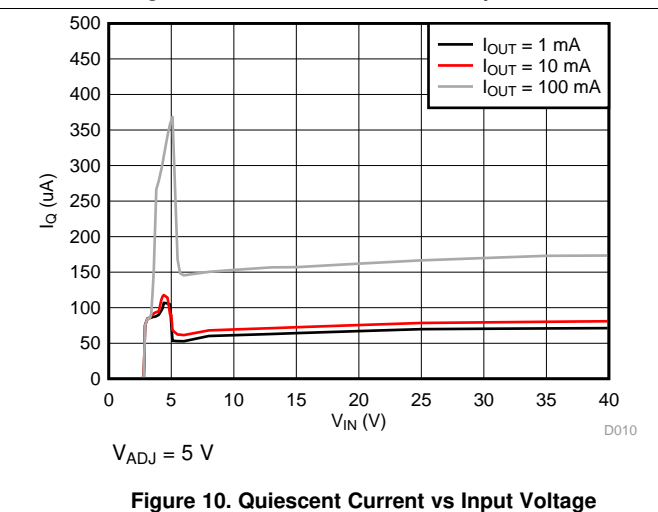


Figure 10. Quiescent Current vs Input Voltage

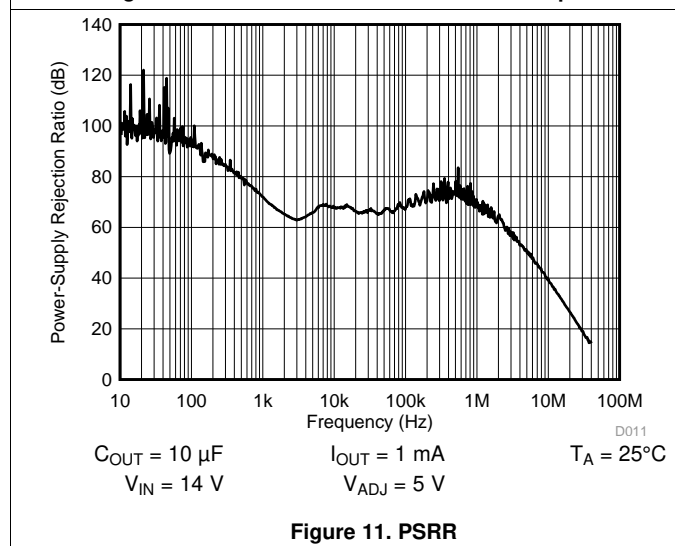


Figure 11. PSRR

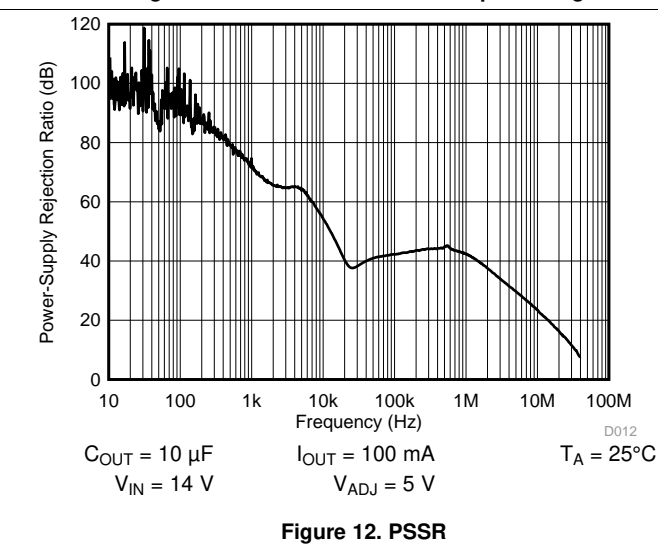


Figure 12. PSSR

Typical Characteristics (continued)

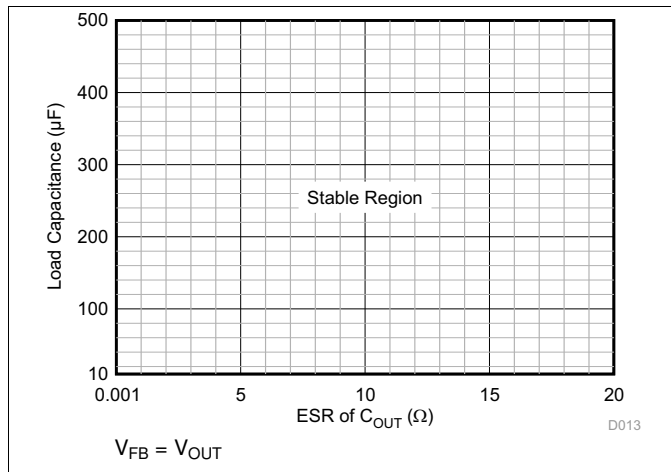


Figure 13. ESR Stability vs Load Capacitance

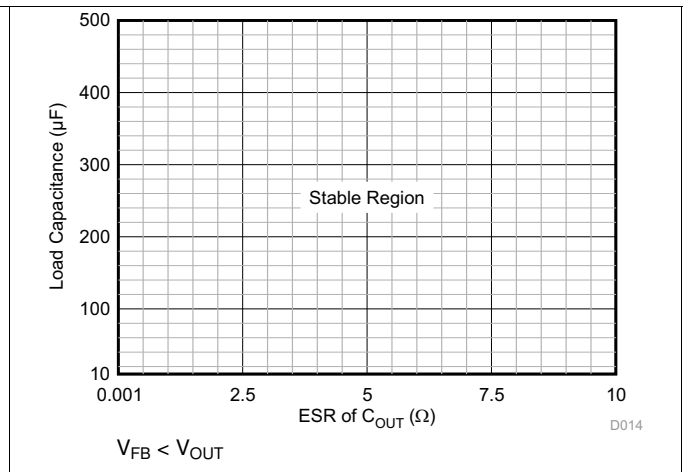


Figure 14. ESR Stability vs Load Capacitance

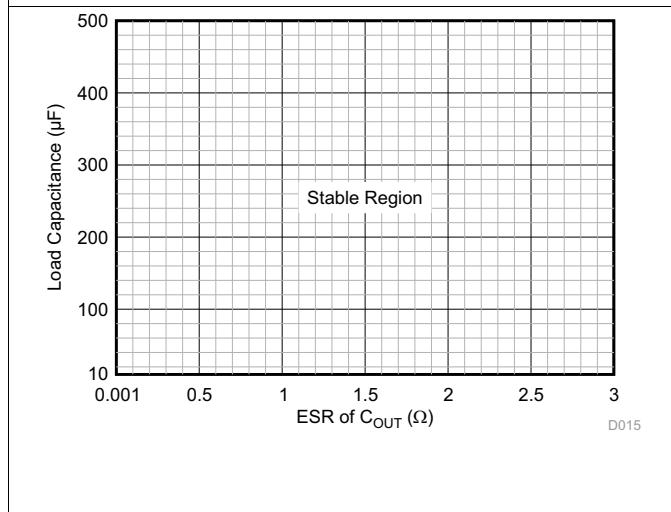


Figure 15. ESR Stability vs Load Capacitance (Multiple Output Capacitors in parallel)

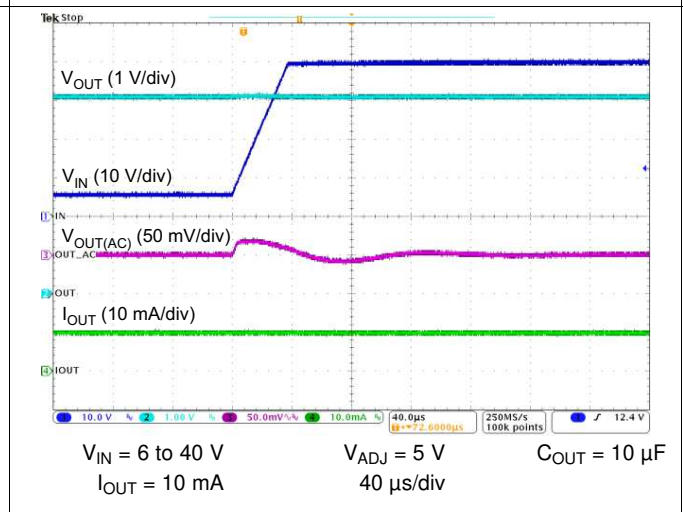


Figure 16. 6-V to 40-V Line Transient

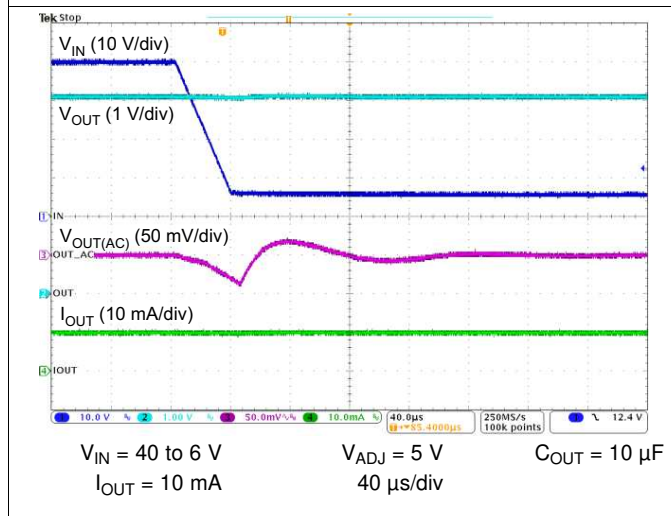


Figure 17. 40-V to 6-V Line Transient

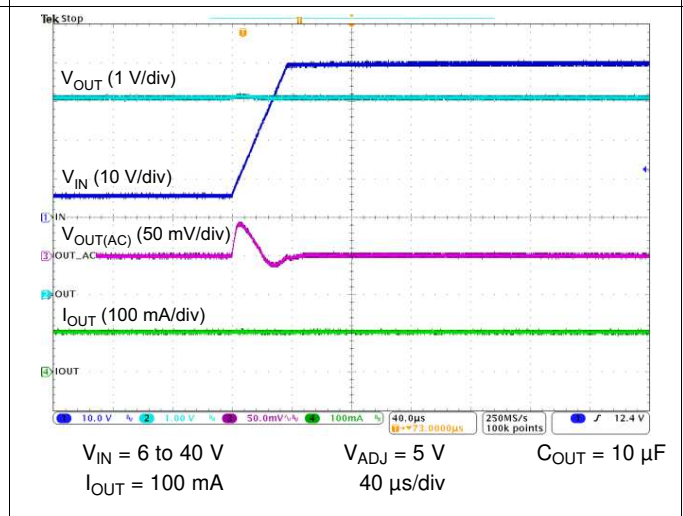
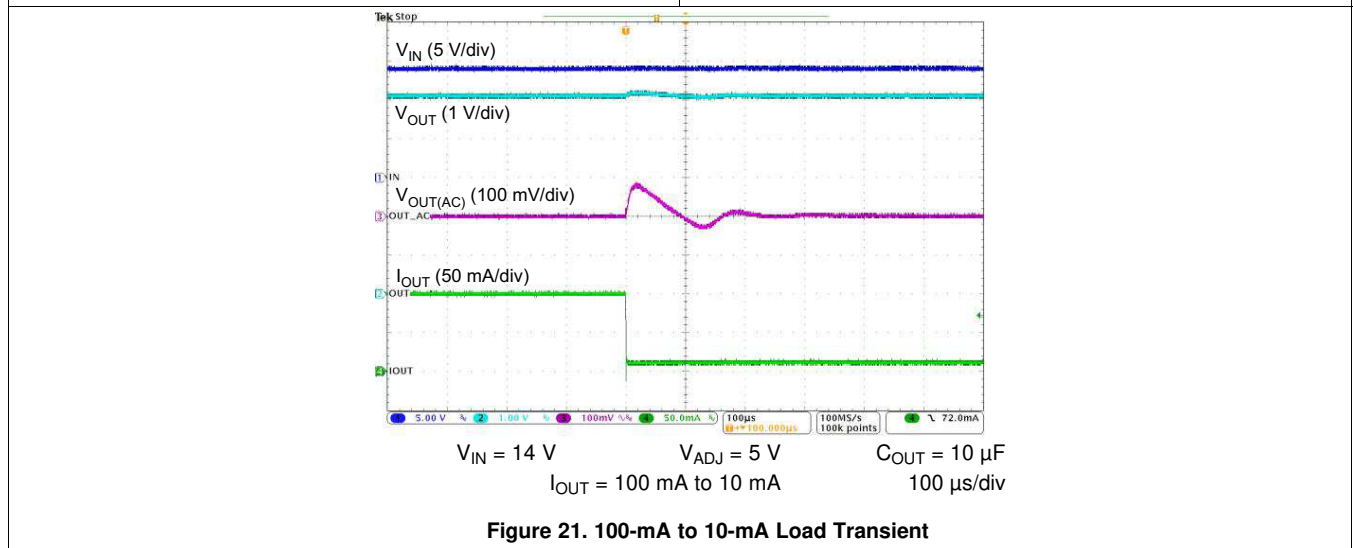
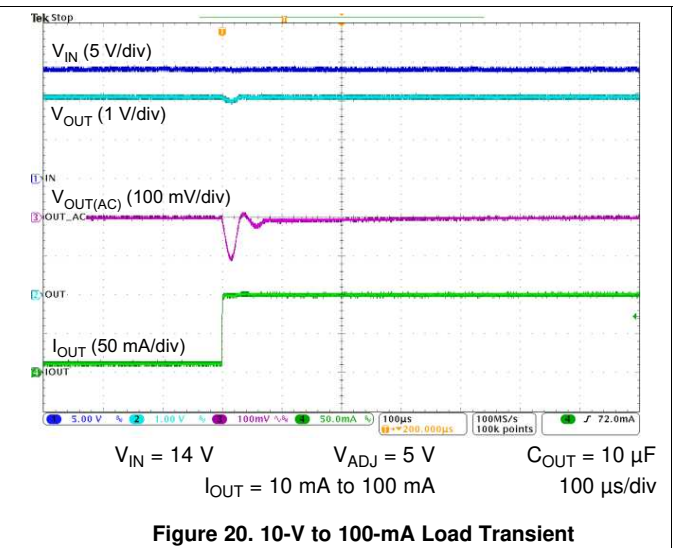
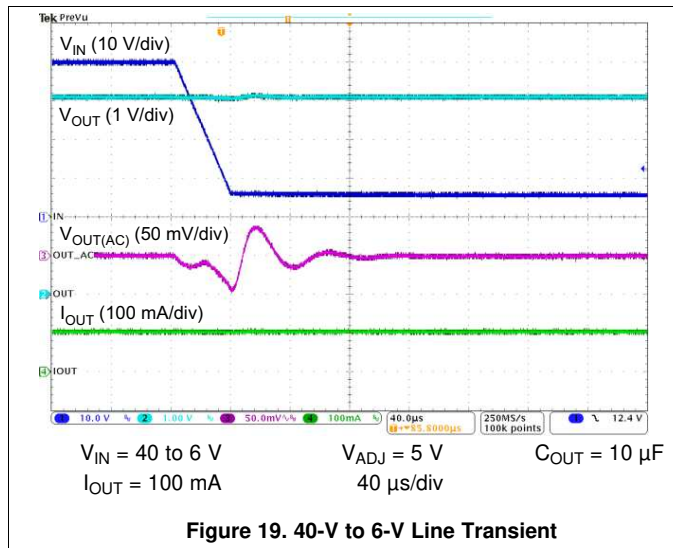
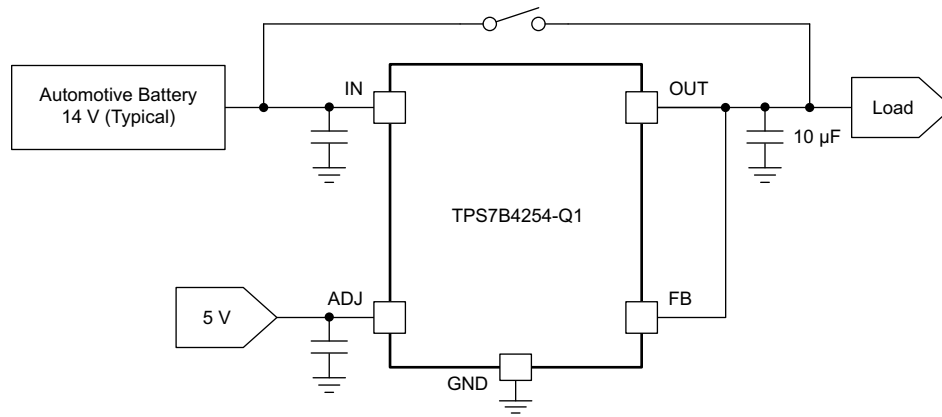


Figure 18. 6-V to 40-V Line Transient

Typical Characteristics (continued)



Feature Description (continued)

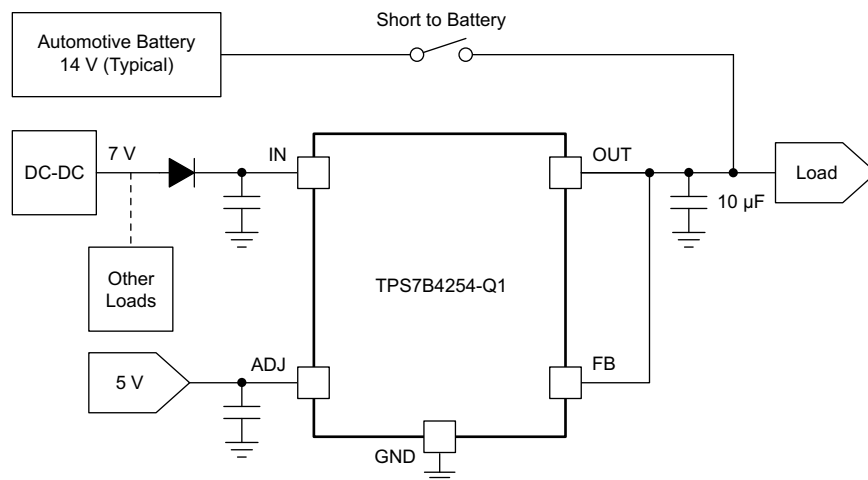


Copyright © 2016, Texas Instruments Incorporated

Figure 22. OUT Short to Battery, $V_{IN} = V_{BAT}$

A short to the battery can also occur when the device is powered by an isolated supply at lower voltage, as shown in Figure 23. In this case, the TPS7B4254-Q1 supply-input voltage is set to 7 V when a short to battery (14 V typical) occurs on the OUT pin, which operates at 5 V. The internal back-to-back PMOS remains on for 1 ms, during which the input voltage of the TPS7B4254-Q1 device charges up to the battery voltage. A diode connected between the output of the dc-dc converter and the input of the TPS7B4254-Q1 device is required in case the other loads connected behind the dc-dc converter cannot withstand the voltage of an automotive battery. To achieve a lower dropout voltage, TI recommends using a Schottky diode. This diode can be eliminated if the output of the dc-dc converter and the loads connected behind it withstand automotive battery voltage.

The internal back-to-back PMOS is switched to OFF when reverse polarity or a short to battery occurs for 1 ms. After that, the reverse current that flows out through the IN pin is less than 10 μ A. Meanwhile, a special ESD structure implemented at the input ensures the device can withstand -40 V.



Copyright © 2016, Texas Instruments Incorporated

Figure 23. OUT Short to Battery, $V_{IN} < V_{BAT}$

In most cases, the output of the TPS7B4254-Q1 device is shorted to the battery through an automotive cable. The parasitic inductance on the cable results in LC oscillation at the output of the TPS7B4254-Q1 device when the short to battery occurs. The peak voltage at the output of the TPS7B4254-Q1 device must be lower than the absolute-maximum voltage rating (45 V) during LC oscillation.

Feature Description (continued)

7.3.4 Undervoltage Shutdown

The device has an internally fixed undervoltage-shutdown threshold. Undervoltage shutdown activates when the input voltage on IN drops below UVLO. This activation ensures the regulator is not latched into an unknown state during a low input-supply voltage. If the input voltage has a negative transient that drops below the UVLO threshold and then recovers, the regulator shuts down and then powers up with a standard power-up sequence when the input voltage is above the required level.

7.3.5 Thermal Protection

The device incorporates a thermal shutdown (TSD) circuit as a protection from overheating. During continuous normal operation, the junction temperature should not exceed the TSD trip point. If the junction temperature exceeds the TSD trip point, the output turns off. When the junction temperature decreases to 15°C (typical) lower than the TSD trip point, the output turns on.

NOTE

The purpose of the internal protection circuitry of the TPS7B4254-Q1 device is to protect against overload conditions and is not intended as a replacement for proper heat-sinking. Continuously running the device into thermal shutdown degrades device reliability.

7.3.6 Regulated Output (OUT)

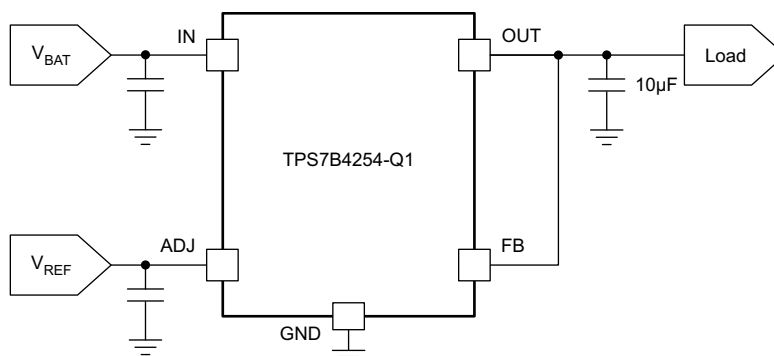
The OUT pin is the regulated output based on the required voltage. The output has current limitation. During initial power up, the regulator has an incorporated soft-start feature to control the initial current through the pass element.

7.3.7 Adjustable Output Voltage (FB and ADJ)

7.3.7.1 OUT Voltage Equal to the Reference Voltage

With the reference voltage applied directly at the ADJ pin and the FB pin connected to the OUT pin, the voltage at the OUT pin equals to the reference voltage at the ADJ pin, as shown in [Figure 24](#).

$$V_{OUT} = V_{ADJ} \quad (1)$$



Copyright © 2016, Texas Instruments Incorporated

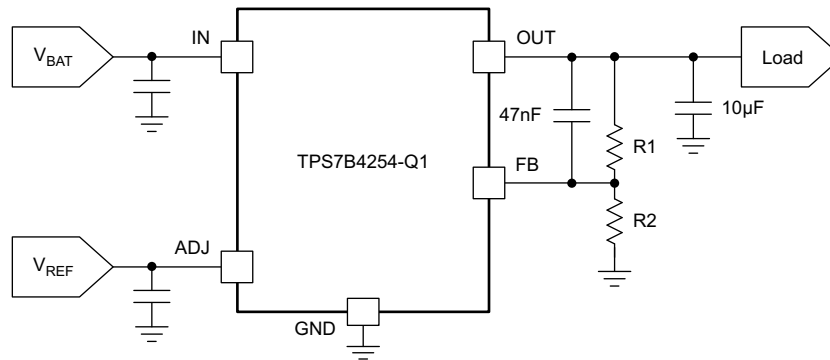
Figure 24. OUT Voltage Equal to the Reference Voltage

7.3.7.2 OUT Voltage Higher Than Reference Voltage

By using an external resistor divider connected between the OUT and FB pins, an output voltage higher than reference voltage can be generated as shown in [Figure 25](#). Use [Equation 2](#) to calculate the value of the output voltage. The recommended range for R1 and R2 is from 10 kΩ to 100 kΩ.

$$V_{OUT} = V_{ADJ} \times \left(1 + \frac{R1}{R2} \right) \quad (2)$$

Feature Description (continued)



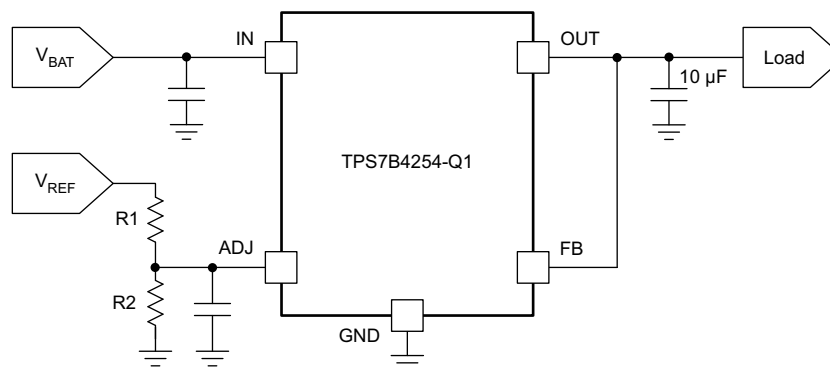
Copyright © 2016, Texas Instruments Incorporated

Figure 25. OUT Voltage Higher Than the Reference Voltage

7.3.7.3 Output Voltage Lower Than Reference Voltage

By using an external resistor divider connected at the ADJ pin, an output voltage lower than reference voltage can be generated as shown in Figure 26. Use Equation 3 to calculate the output voltage. The recommended value for both R1 and R2 is less than 100 kΩ.

$$V_{OUT} = V_{REF} \times \frac{R2}{R1 + R2} \quad (3)$$



Copyright © 2016, Texas Instruments Incorporated

Figure 26. OUT Voltage Lower Than the Reference Voltage

7.4 Device Functional Modes

7.4.1 Operation With $V_{IN} < 4$ V

The maximum UVLO voltage is 3.65 V, and the device generally operates at an input voltage above 4 V. The device can also operate at a lower input voltage; no minimum UVLO voltage is specified. At an input voltage below the actual UVLO voltage, the device does not operate.

8 Application and Implementation

NOTE

Information in the following applications sections is not part of the TI component specification, and TI does not warrant its accuracy or completeness. TI's customers are responsible for determining suitability of components for their purposes. Customers should validate and test their design implementation to confirm system functionality.

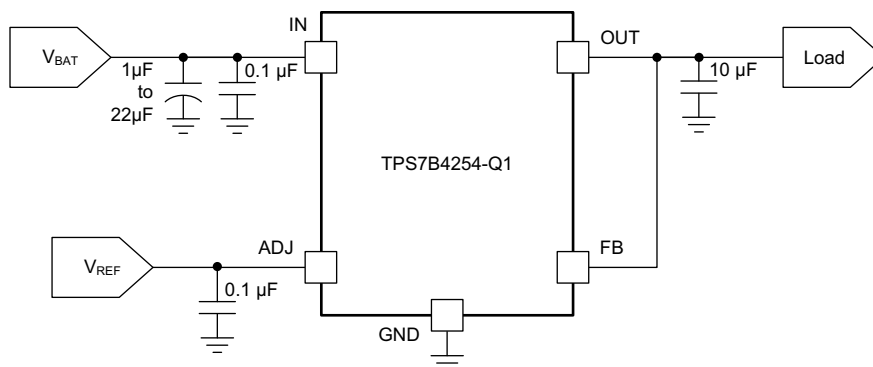
8.1 Application Information

The TPS7B4254-Q1 device is a 150-mA low-dropout tracking regulator with ultralow tracking tolerance. The PSpice transient model is available for download on the product folder and can be used to evaluate the basic function of the device.

8.2 Typical Applications

8.2.1 Application With Output Voltage Equal to the Reference Voltage

Figure 27 shows a typical application circuit for the TPS7B4254-Q1 device. Different values of external components can be used, depending on the end application. An application may require a larger output capacitor during fast load steps to prevent a large drop on the output voltage. TI recommends using a low-ESR ceramic capacitor with a dielectric of type X5R or X7R.



Copyright © 2016, Texas Instruments Incorporated

Figure 27. Output Voltage Equals the Reference Voltage

8.2.1.1 Design Requirements

For this design example, use the parameters listed in Table 1 as the design parameters.

Table 1. Design Parameters

DESIGN PARAMETER	EXAMPLE VALUE
Input voltage	4 V to 40 V
Output voltage	2 V to 40 V
ADJ voltage	2 V to 18 V
Output capacitor	10 µF to 500 µF
Output capacitor ESR range	0.001 Ω to 20 Ω

8.2.1.2 Detailed Design Procedure

To begin the design process, determine the following:

- Input voltage range
- Output voltage
- Reference voltage
- Output current

- Current limit

8.2.1.2.1 Input Capacitor

The device requires an input decoupling capacitor, the value of which depends on the application. The typical recommended value for the decoupling capacitor is 10 μF with a 0.1 μF ceramic bypass capacitor in parallel. The voltage rating must be greater than the maximum input voltage.

8.2.1.2.2 Output Capacitor

To ensure the stability of the TPS7B4254-Q1 device, the device requires an output capacitor with a value in the range from 10 μF to 500 μF and with an ESR range from 0.001 Ω to 20 Ω when the FB pin is directly connected to the OUT pin. TI recommends selecting a ceramic capacitor with low ESR to improve the load transient response.

To achieve an output voltage higher than the reference voltage, a resistor divider is connected between the OUT pin and the FB pin. In this case, a 47-nF feedforward capacitor must be connected between the OUT and FB pins for loop stability. The ESR of the output capacitor must be from 0.001 Ω to 10 Ω .

When multiple capacitors (two or more) are connected in parallel at the OUT pin, the ESR range of each output capacitor must be from 0.001 Ω to 3 Ω for loop stability.

In case the FB pin is shorted to ground, the TPS7B4254-Q1 device functions as a power switch with no need for the output capacitor.

8.2.1.3 Application Curve

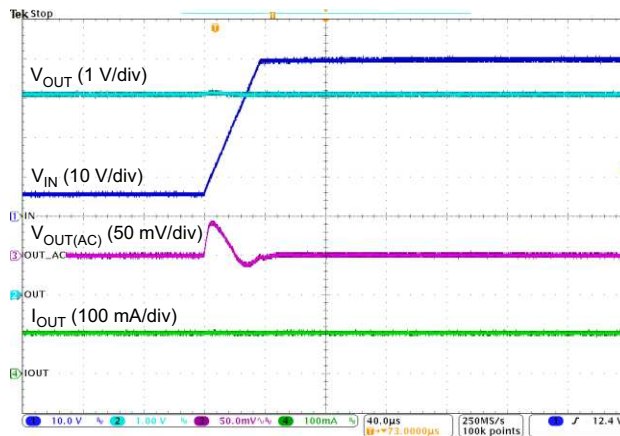
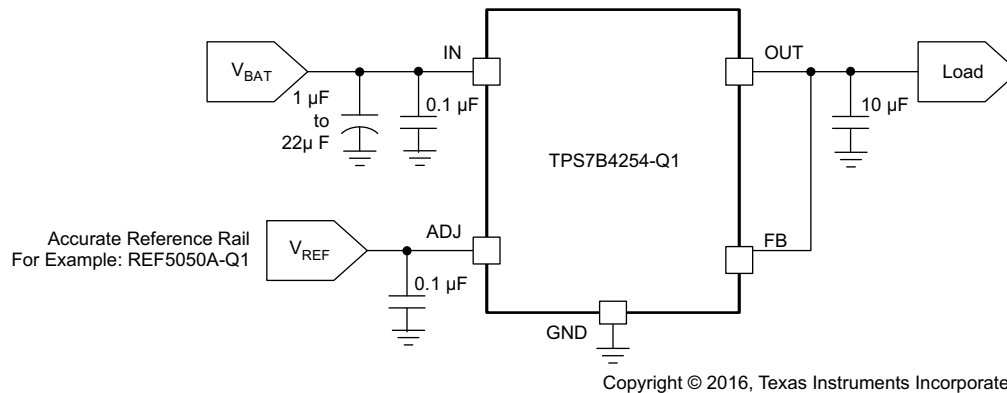


Figure 28. 6-V to 40-V Line Transient

8.2.2 High-Accuracy LDO

With an accurate voltage rail, the TPS7B4254-Q1 device can be used as an LDO with ultrahigh-accuracy output voltage by configuring the device as shown in [Figure 29](#).


Figure 29. High-Accuracy LDO Application

For example, assume the reference voltage is a 5-V rail with 0.1% accuracy. Because the tracking accuracy between the ADJ and OUT pins is specified below 4 mV across temperature, the output accuracy of the TPS7B4254-Q1 device can be calculated with [Equation 4](#).

$$\text{Accuracy of } V_{\text{OUT}} = \frac{V_{\text{ADJ}} \times 0.1\% + 4 \text{ mV}}{V_{\text{OUT}}} \times 100\% = \frac{5 \times 0.1\% + 0.004}{5} \times 100\% = 0.18\% \quad (4)$$

9 Power Supply Recommendations

The device is designed to operate with an input voltage supply from 4 V to 40 V. This input supply must be well regulated. If the input supply is more than a few inches away from the TPS7B4254-Q1 device, TI recommends adding an electrolytic capacitor with a value of 10 μ F and a ceramic bypass capacitor at the input.

10 Layout

10.1 Layout Guidelines

For the layout of the TPS7B4254-Q1 device, place the input and output capacitors close to the devices as shown in the *Functional Block Diagram*. To enhance the thermal performance, TI recommends surrounding the device with some vias. Minimize equivalent series inductance (ESL) and ESR to maximize performance and ensure stability. Place every capacitor as close as possible to the device and on the same side of the PCB as the regulator.

Do not place any of the capacitors on the opposite side of the PCB from where the regulator is installed. TI strongly discourages the use of vias and long traces for the path between the output capacitor and the OUT pins because vias can negatively impact system performance and even cause instability.

10.2 Layout Example

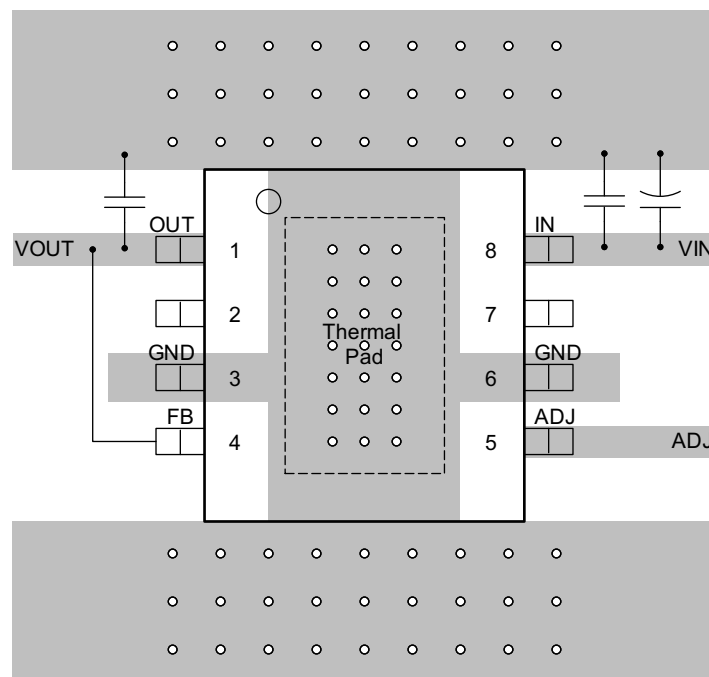


Figure 30. TPS7B4254-Q1 Layout Example

11 Device and Documentation Support

11.1 Receiving Notification of Documentation Updates

To receive notification of documentation updates, navigate to the device product folder on ti.com. In the upper right corner, click on *Alert me* to register and receive a weekly digest of any product information that has changed. For change details, review the revision history included in any revised document.

11.2 Community Resources

The following links connect to TI community resources. Linked contents are provided "AS IS" by the respective contributors. They do not constitute TI specifications and do not necessarily reflect TI's views; see TI's [Terms of Use](#).

TI E2E™ Online Community *TI's Engineer-to-Engineer (E2E) Community*. Created to foster collaboration among engineers. At e2e.ti.com, you can ask questions, share knowledge, explore ideas and help solve problems with fellow engineers.

Design Support *TI's Design Support* Quickly find helpful E2E forums along with design support tools and contact information for technical support.

11.3 Trademarks

PowerPAD, E2E are trademarks of Texas Instruments.
All other trademarks are the property of their respective owners.

11.4 Electrostatic Discharge Caution



These devices have limited built-in ESD protection. The leads should be shorted together or the device placed in conductive foam during storage or handling to prevent electrostatic damage to the MOS gates.

11.5 Glossary

[SLYZ022](#) — *TI Glossary*.

This glossary lists and explains terms, acronyms, and definitions.

12 Mechanical, Packaging, and Orderable Information

The following pages include mechanical, packaging, and orderable information. This information is the most-current data available for the designated device. This data is subject to change without notice and without revision of this document. For browser-based versions of this data sheet, see the left-hand navigation pane.

PACKAGING INFORMATION

Orderable Device	Status (1)	Package Type	Package Drawing	Pins	Package Qty	Eco Plan (2)	Lead finish/ Ball material (6)	MSL Peak Temp (3)	Op Temp (°C)	Device Marking (4/5)	Samples
TPS7B4254QDDARQ1	ACTIVE	SO PowerPAD	DDA	8	2500	RoHS & Green	NIPDAUAG	Level-2-260C-1 YEAR	-40 to 125	4254	Samples

(1) The marketing status values are defined as follows:

ACTIVE: Product device recommended for new designs.

LIFEBUY: TI has announced that the device will be discontinued, and a lifetime-buy period is in effect.

NRND: Not recommended for new designs. Device is in production to support existing customers, but TI does not recommend using this part in a new design.

PREVIEW: Device has been announced but is not in production. Samples may or may not be available.

OBSOLETE: TI has discontinued the production of the device.

(2) **RoHS:** TI defines "RoHS" to mean semiconductor products that are compliant with the current EU RoHS requirements for all 10 RoHS substances, including the requirement that RoHS substance do not exceed 0.1% by weight in homogeneous materials. Where designed to be soldered at high temperatures, "RoHS" products are suitable for use in specified lead-free processes. TI may reference these types of products as "Pb-Free".

RoHS Exempt: TI defines "RoHS Exempt" to mean products that contain lead but are compliant with EU RoHS pursuant to a specific EU RoHS exemption.

Green: TI defines "Green" to mean the content of Chlorine (Cl) and Bromine (Br) based flame retardants meet JS709B low halogen requirements of <=1000ppm threshold. Antimony trioxide based flame retardants must also meet the <=1000ppm threshold requirement.

(3) MSL, Peak Temp. - The Moisture Sensitivity Level rating according to the JEDEC industry standard classifications, and peak solder temperature.

(4) There may be additional marking, which relates to the logo, the lot trace code information, or the environmental category on the device.

(5) Multiple Device Markings will be inside parentheses. Only one Device Marking contained in parentheses and separated by a "-" will appear on a device. If a line is indented then it is a continuation of the previous line and the two combined represent the entire Device Marking for that device.

(6) Lead finish/Ball material - Orderable Devices may have multiple material finish options. Finish options are separated by a vertical ruled line. Lead finish/Ball material values may wrap to two lines if the finish value exceeds the maximum column width.

Important Information and Disclaimer: The information provided on this page represents TI's knowledge and belief as of the date that it is provided. TI bases its knowledge and belief on information provided by third parties, and makes no representation or warranty as to the accuracy of such information. Efforts are underway to better integrate information from third parties. TI has taken and continues to take reasonable steps to provide representative and accurate information but may not have conducted destructive testing or chemical analysis on incoming materials and chemicals. TI and TI suppliers consider certain information to be proprietary, and thus CAS numbers and other limited information may not be available for release.

In no event shall TI's liability arising out of such information exceed the total purchase price of the TI part(s) at issue in this document sold by TI to Customer on an annual basis.

TAPE AND REEL INFORMATION



QUADRANT ASSIGNMENTS FOR PIN 1 ORIENTATION IN TAPE



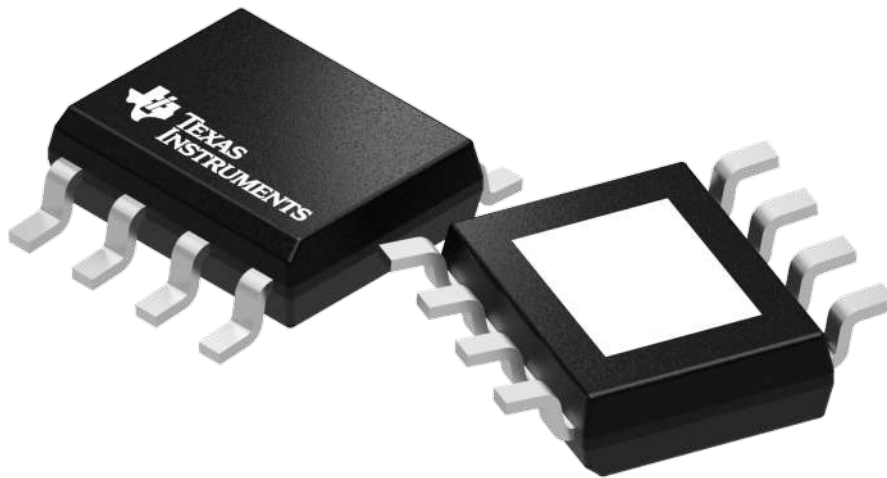
*All dimensions are nominal

Device	Package Type	Package Drawing	Pins	SPQ	Reel Diameter (mm)	Reel Width W1 (mm)	A0 (mm)	B0 (mm)	K0 (mm)	P1 (mm)	W (mm)	Pin1 Quadrant
TPS7B4254QDDARQ1	SO Power PAD	DDA	8	2500	330.0	12.8	6.4	5.2	2.1	8.0	12.0	Q1

TAPE AND REEL BOX DIMENSIONS


*All dimensions are nominal

Device	Package Type	Package Drawing	Pins	SPQ	Length (mm)	Width (mm)	Height (mm)
TPS7B4254QDDARQ1	SO PowerPAD	DDA	8	2500	366.0	364.0	50.0



Images above are just a representation of the package family, actual package may vary.
Refer to the product data sheet for package details.

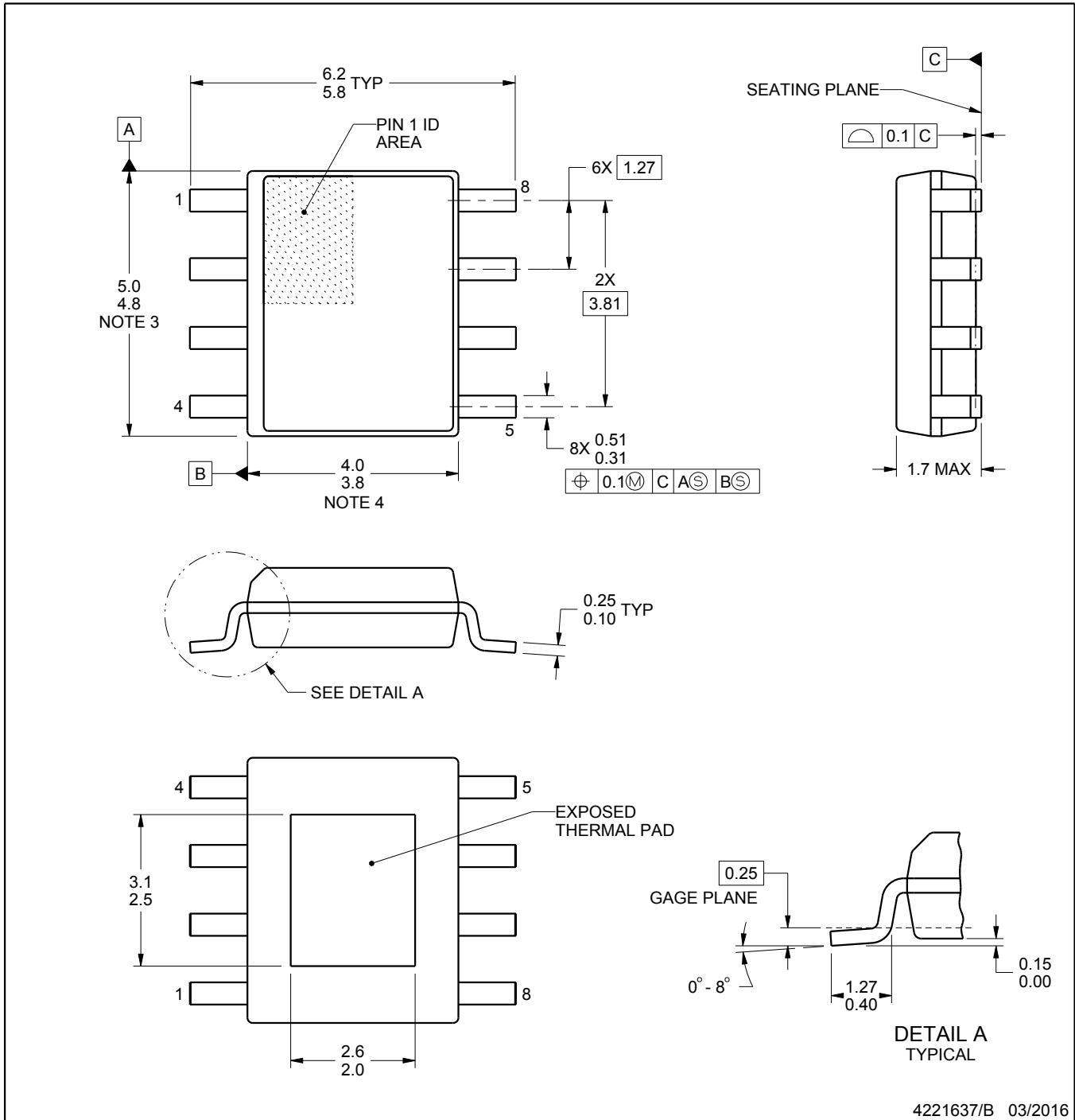
DDA0008J



PACKAGE OUTLINE

PowerPAD™ SOIC - 1.7 mm max height

PLASTIC SMALL OUTLINE



4221637/B 03/2016

PowerPAD is a trademark of Texas Instruments.

NOTES:

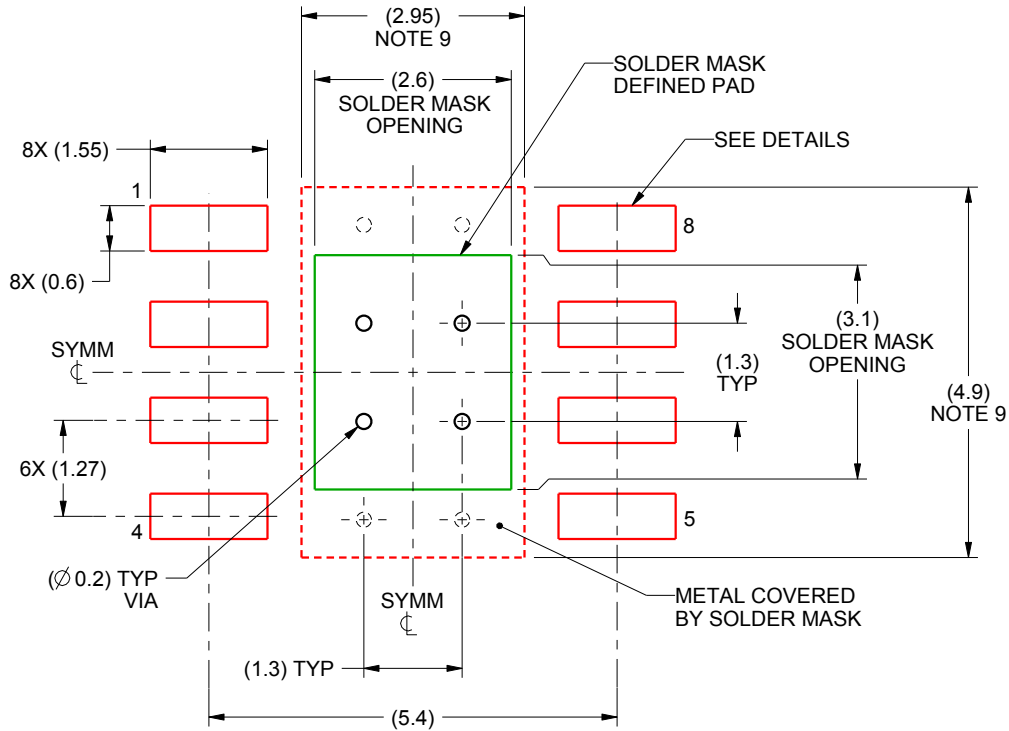
1. All linear dimensions are in millimeters. Any dimensions in parenthesis are for reference only. Dimensioning and tolerancing per ASME Y14.5M.
2. This drawing is subject to change without notice.
3. This dimension does not include mold flash, protrusions, or gate burrs. Mold flash, protrusions, or gate burrs shall not exceed 0.15 mm per side.
4. This dimension does not include interlead flash. Interlead flash shall not exceed 0.25 mm per side.
5. Reference JEDEC registration MS-012, variation BA.

EXAMPLE BOARD LAYOUT

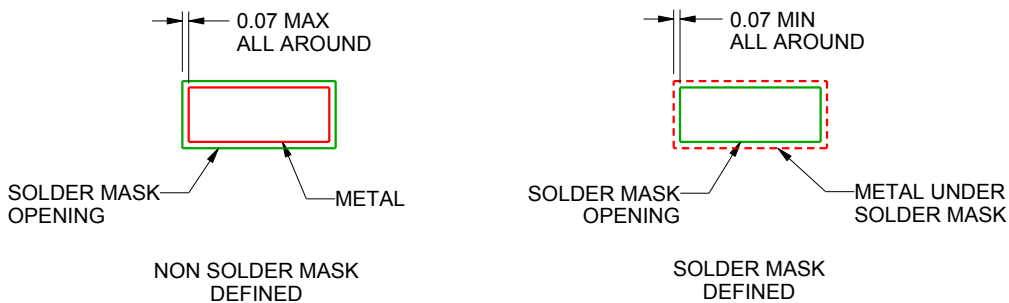
DDA0008J

PowerPAD™ SOIC - 1.7 mm max height

PLASTIC SMALL OUTLINE



LAND PATTERN EXAMPLE
SCALE:10X



SOLDER MASK DETAILS

4221637/B 03/2016

NOTES: (continued)

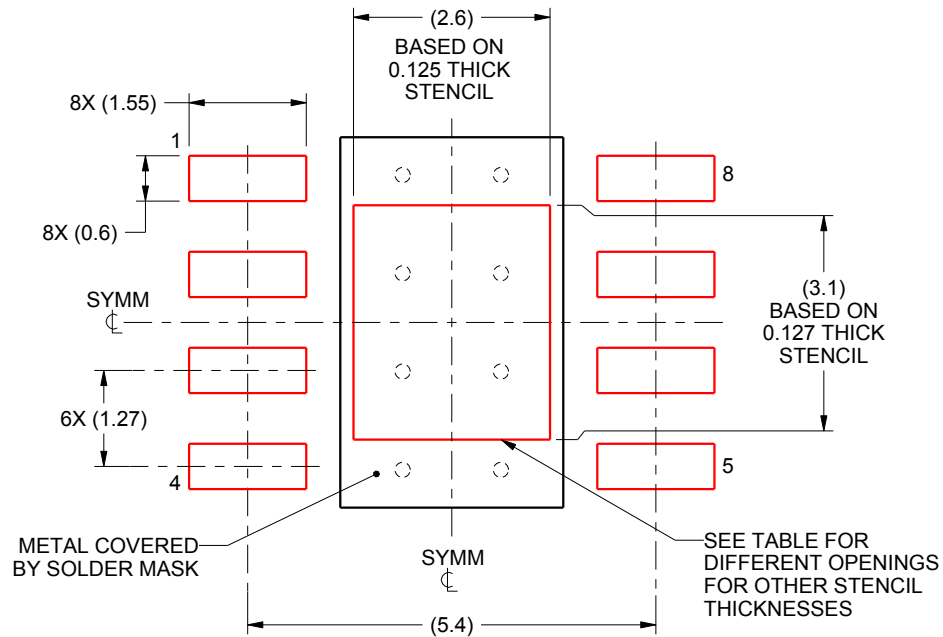
6. Publication IPC-7351 may have alternate designs.
7. Solder mask tolerances between and around signal pads can vary based on board fabrication site.
8. This package is designed to be soldered to a thermal pad on the board. For more information, see Texas Instruments literature numbers SLMA002 (www.ti.com/lit/slma002) and SLMA004 (www.ti.com/lit/slma004).
9. Size of metal pad may vary due to creepage requirement.

EXAMPLE STENCIL DESIGN

DDA0008J

PowerPAD™ SOIC - 1.7 mm max height

PLASTIC SMALL OUTLINE



SOLDER PASTE EXAMPLE
 EXPOSED PAD
 100% PRINTED SOLDER COVERAGE BY AREA
 SCALE:10X

STENCIL THICKNESS	SOLDER STENCIL OPENING
0.1	2.91 X 3.47
0.125	2.6 X 3.1 (SHOWN)
0.150	2.37 X 2.83
0.175	2.20 X 2.62

4221637/B 03/2016

NOTES: (continued)

- 10. Laser cutting apertures with trapezoidal walls and rounded corners may offer better paste release. IPC-7525 may have alternate design recommendations.
- 11. Board assembly site may have different recommendations for stencil design.

IMPORTANT NOTICE AND DISCLAIMER

TI PROVIDES TECHNICAL AND RELIABILITY DATA (INCLUDING DATASHEETS), DESIGN RESOURCES (INCLUDING REFERENCE DESIGNS), APPLICATION OR OTHER DESIGN ADVICE, WEB TOOLS, SAFETY INFORMATION, AND OTHER RESOURCES "AS IS" AND WITH ALL FAULTS, AND DISCLAIMS ALL WARRANTIES, EXPRESS AND IMPLIED, INCLUDING WITHOUT LIMITATION ANY IMPLIED WARRANTIES OF MERCHANTABILITY, FITNESS FOR A PARTICULAR PURPOSE OR NON-INFRINGEMENT OF THIRD PARTY INTELLECTUAL PROPERTY RIGHTS.

These resources are intended for skilled developers designing with TI products. You are solely responsible for (1) selecting the appropriate TI products for your application, (2) designing, validating and testing your application, and (3) ensuring your application meets applicable standards, and any other safety, security, or other requirements. These resources are subject to change without notice. TI grants you permission to use these resources only for development of an application that uses the TI products described in the resource. Other reproduction and display of these resources is prohibited. No license is granted to any other TI intellectual property right or to any third party intellectual property right. TI disclaims responsibility for, and you will fully indemnify TI and its representatives against, any claims, damages, costs, losses, and liabilities arising out of your use of these resources.

TI's products are provided subject to TI's Terms of Sale (www.ti.com/legal/termsofsale.html) or other applicable terms available either on ti.com or provided in conjunction with such TI products. TI's provision of these resources does not expand or otherwise alter TI's applicable warranties or warranty disclaimers for TI products.

Mailing Address: Texas Instruments, Post Office Box 655303, Dallas, Texas 75265
Copyright © 2020, Texas Instruments Incorporated