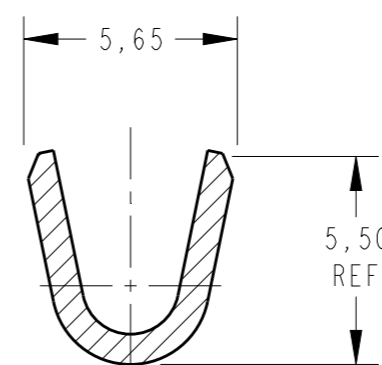
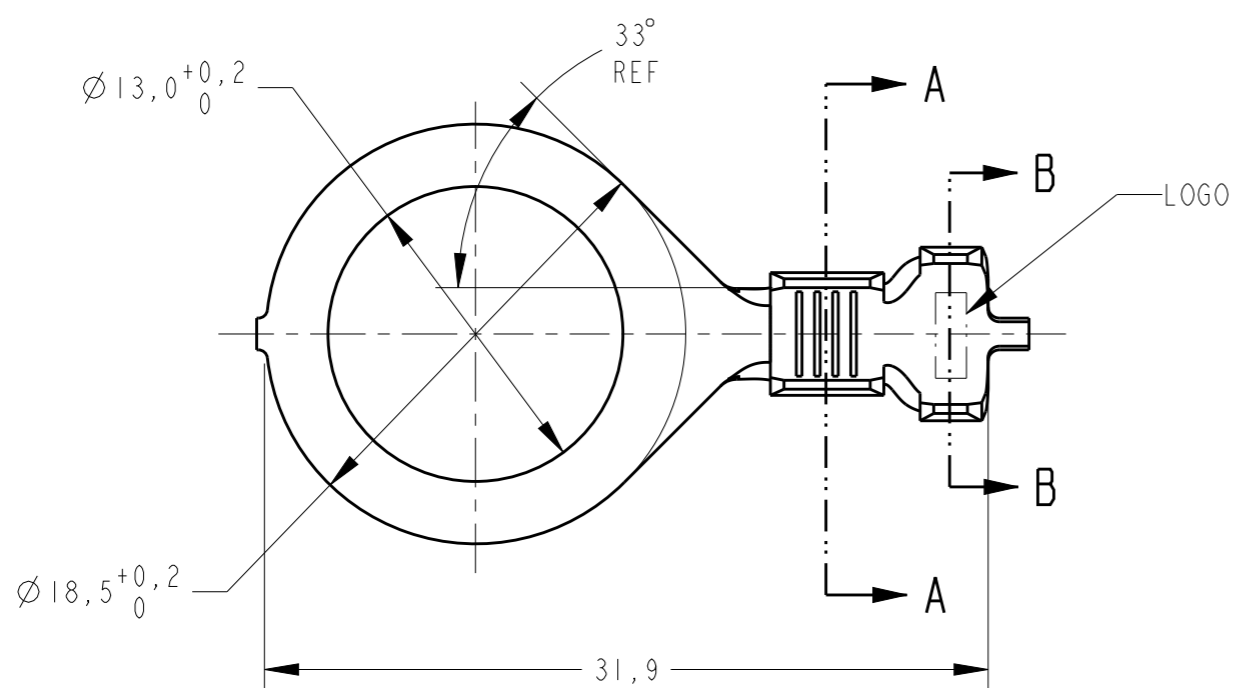


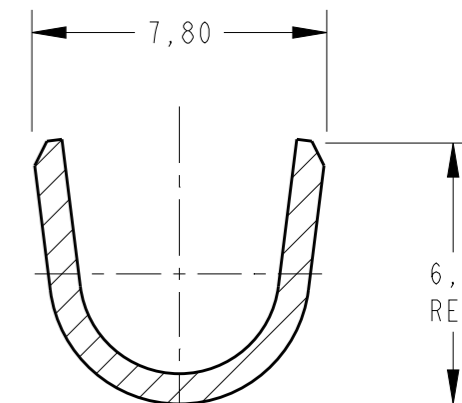
creo
Creo Parametric 2.0
DO NOT REVISE
EXCEPT BY CAD

REVISIONS

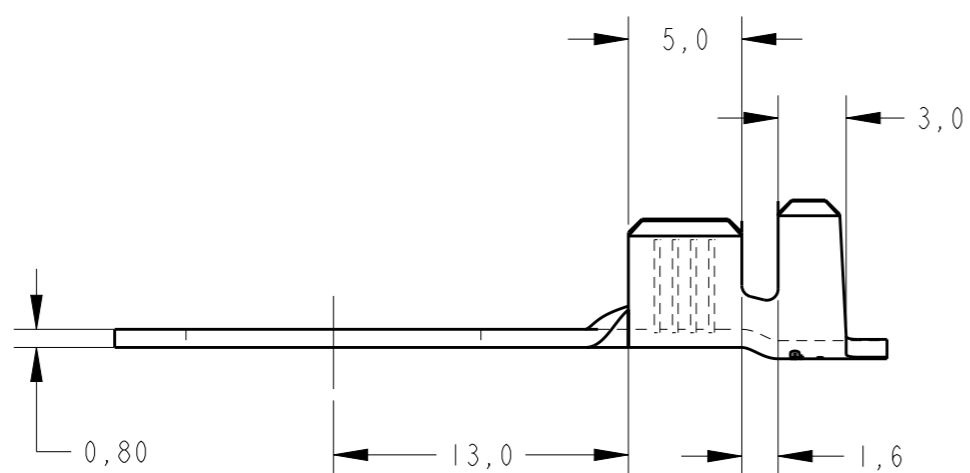
P	LTR	DESCRIPTION	DATE	DWN	APVD
	A1	REDRAWN REV. ECO 16-006124	13JUN2016	HC	WLS



SECTION A-A
SCALE 5:1




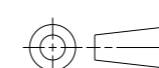
SECTION B-B
SCALE 5:1



PERSPECTIVE VIEW
SCALE 1:1

WIRE RANGE	2,5-4,0mm ²
WIRE RANGE	$\varnothing 3,3-4,5$ mm

SL E101-26	ESTANHADO /TINNER	LATÃO / BRASS	881018 -2
OBSOLETE		LATÃO / BRASS	881018 -1
FORD PN	FINISH	MATERIAL	PART NUMBER

THIS DRAWING IS A CONTROLLED DOCUMENT.		DWN NCLAPRESA 21FEB2014	 TE Connectivity	
DIMENSIONS: mm		CHK JRGOLDSCHMIDT 21FEB2014		
		APVD DAOLIVEIRA 21FEB2014		
TOLERANCES UNLESS OTHERWISE SPECIFIED:		PRODUCT SPEC	NAME - RING TONGUE	
0 PLC ±-	±0,3	APPLICATION SPEC	SIZE A3	
1 PLC ±-		WEIGHT -	CAGE CODE -	DRAWING NO C-881018
2 PLC ±-		Customer Drawing	RESTRICTED TO -	SCALE 3:1
3 PLC ±-				SHEET 1 OF 1
4 PLC ±-				REV A1
ANGLES ±°				
FINISH -				