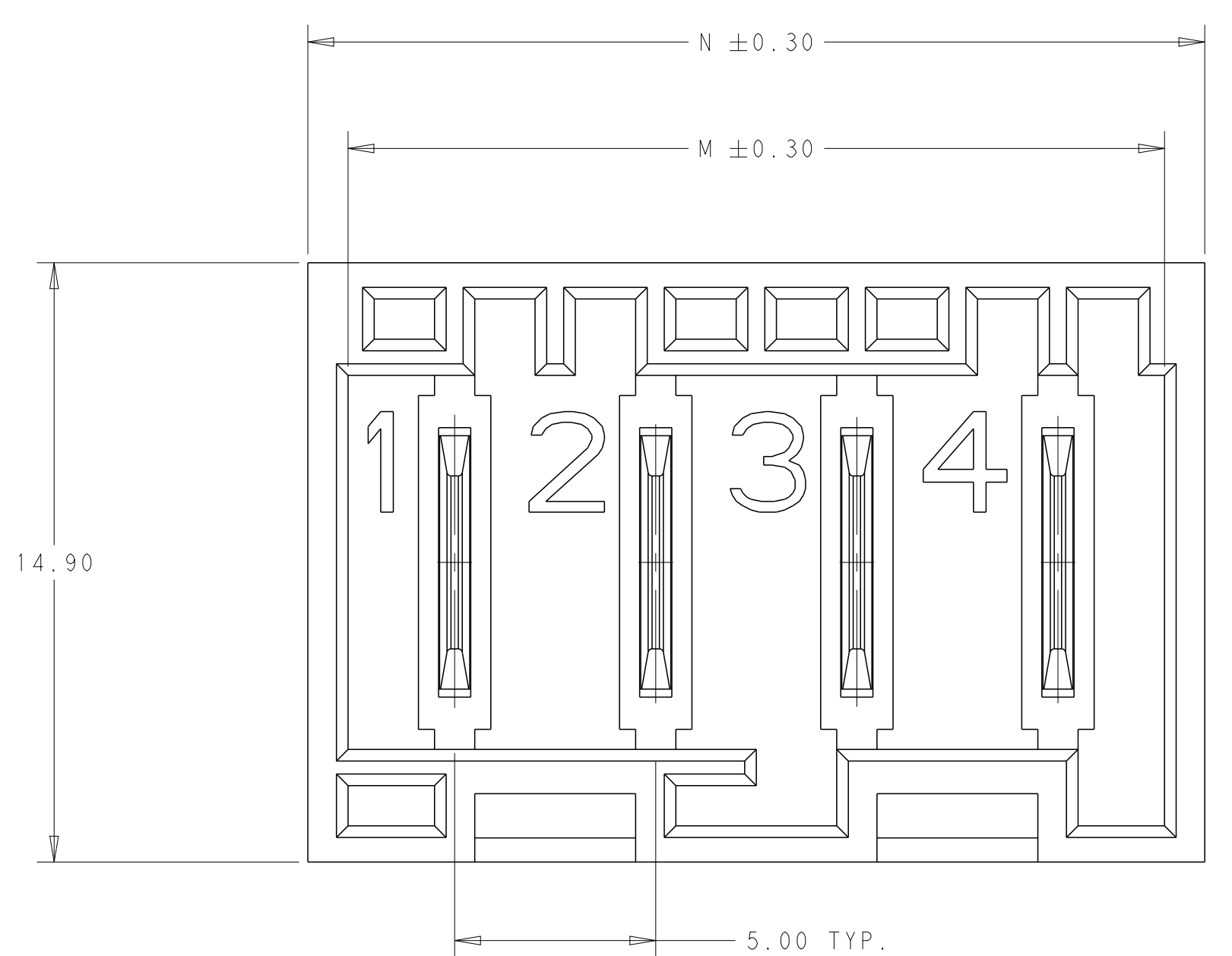
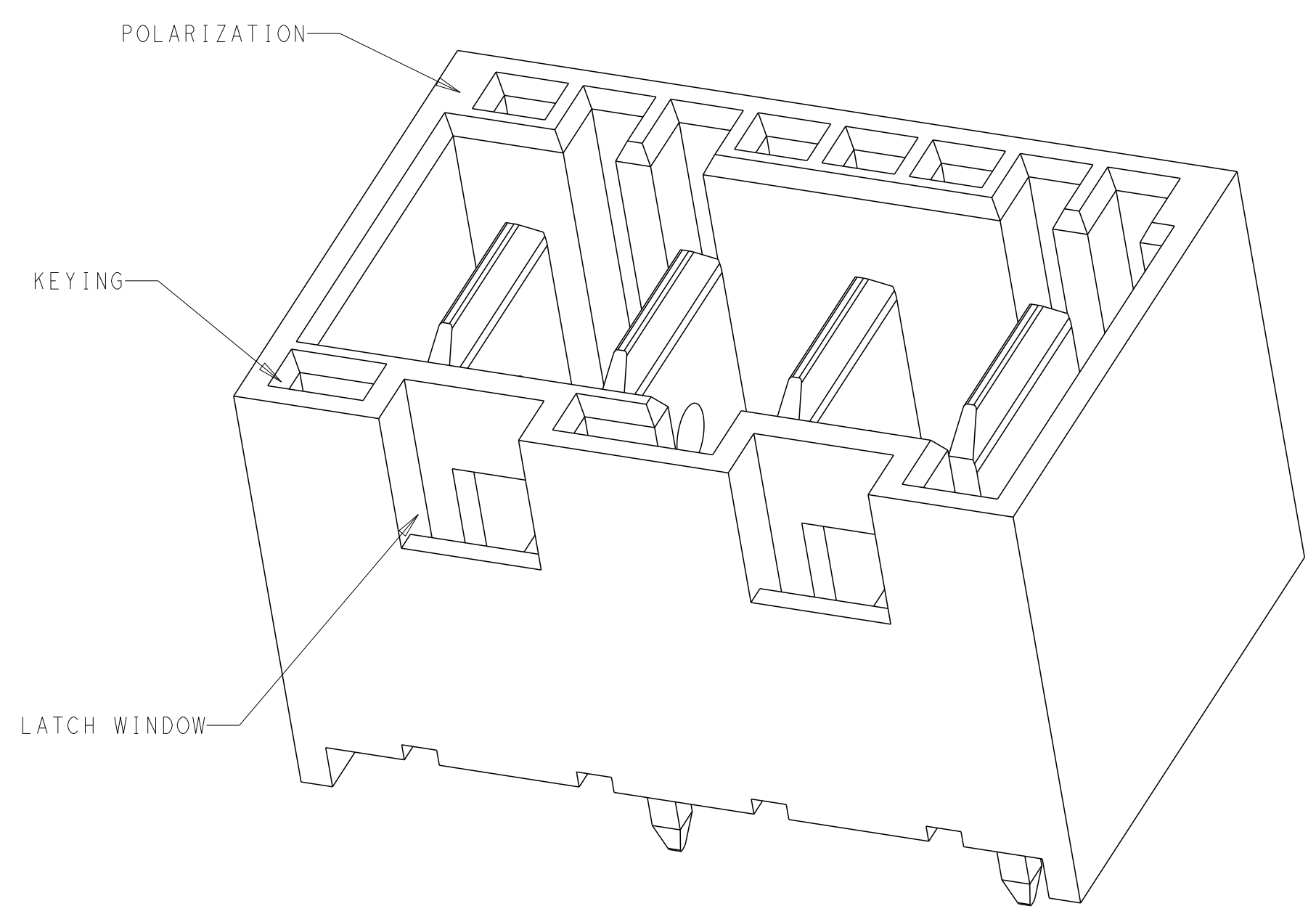
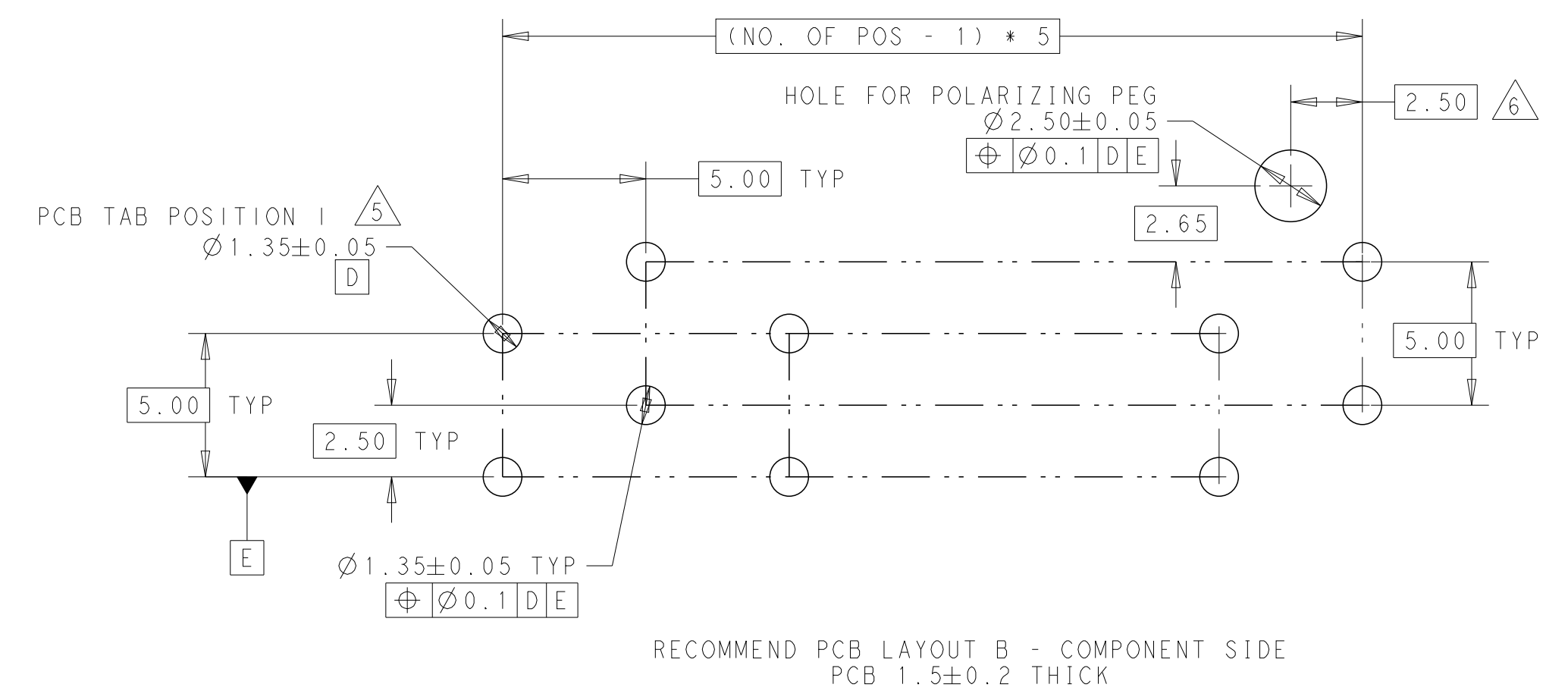
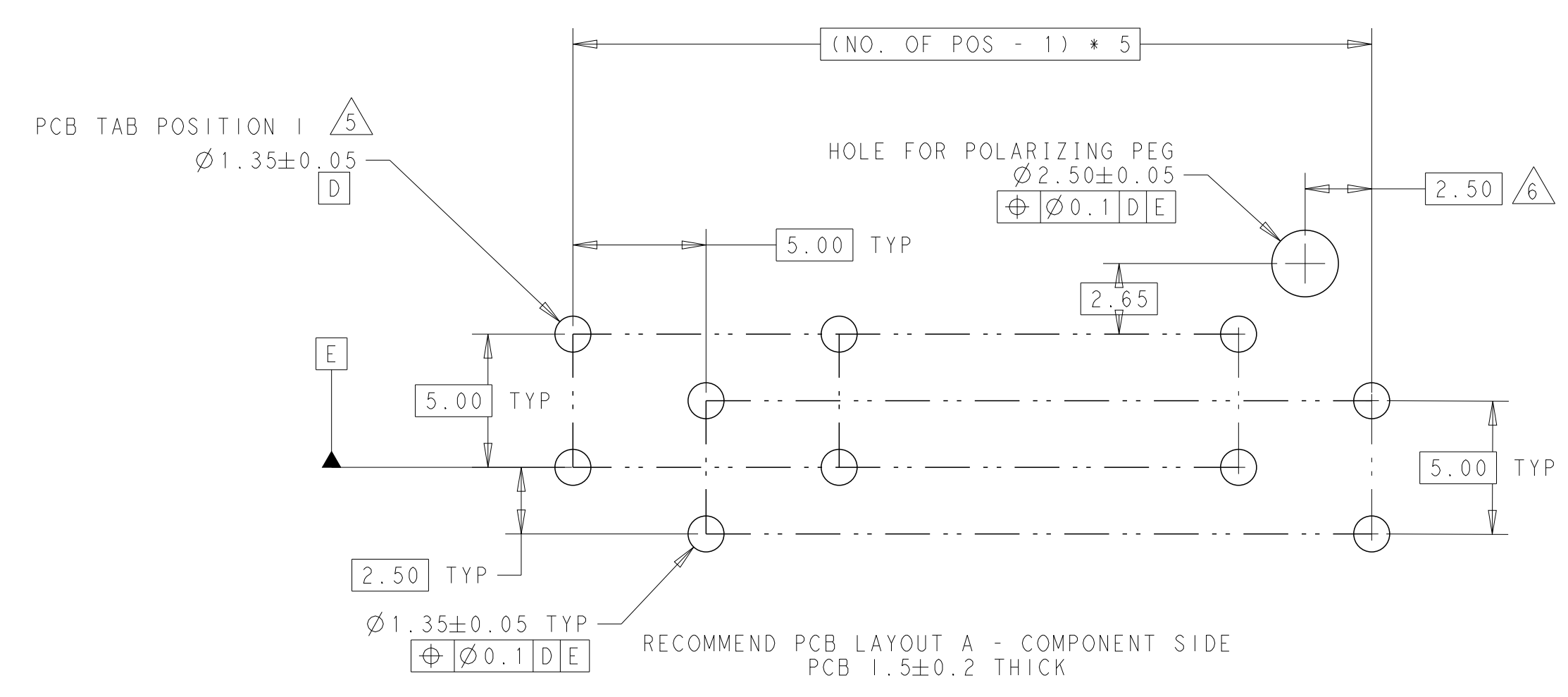
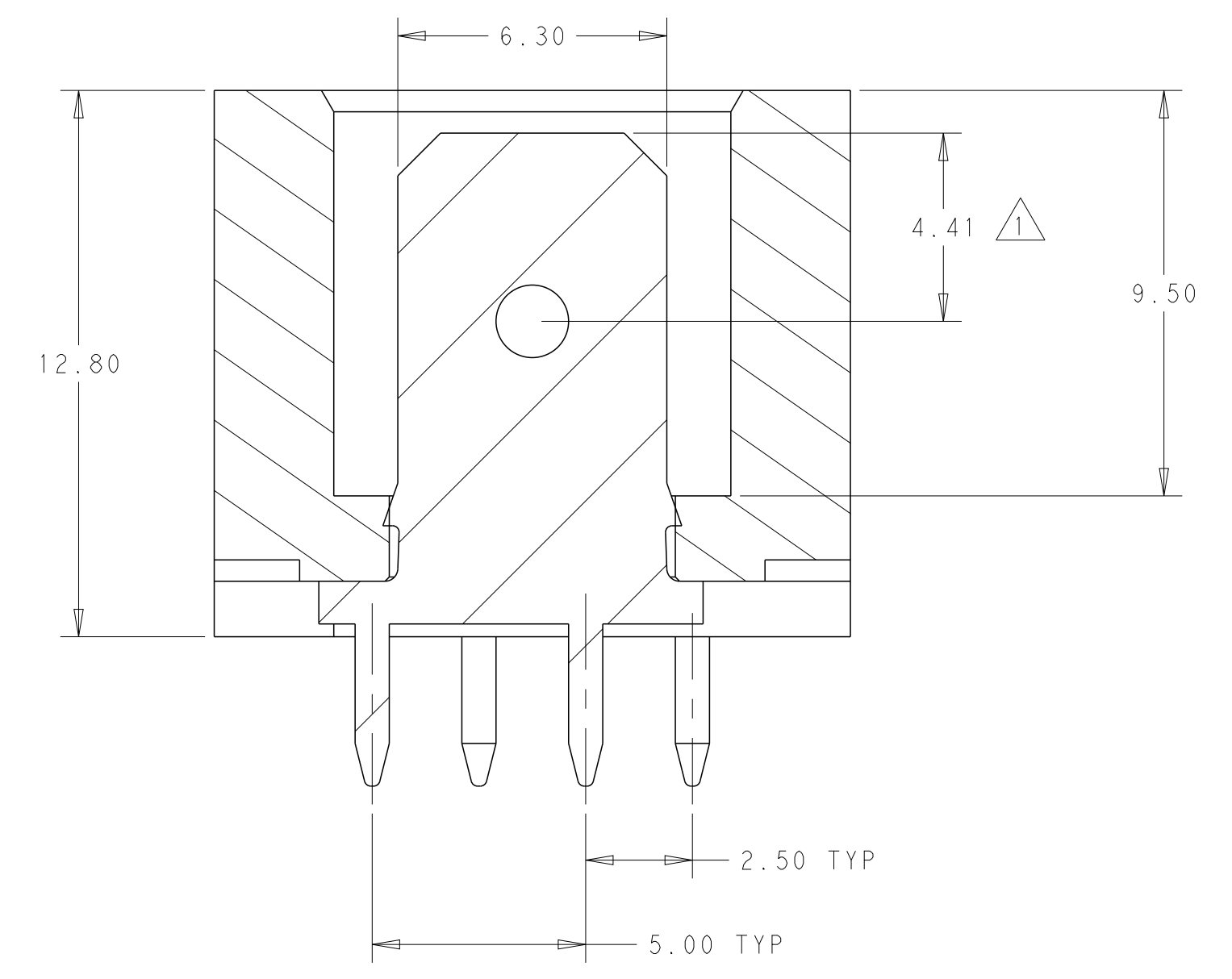
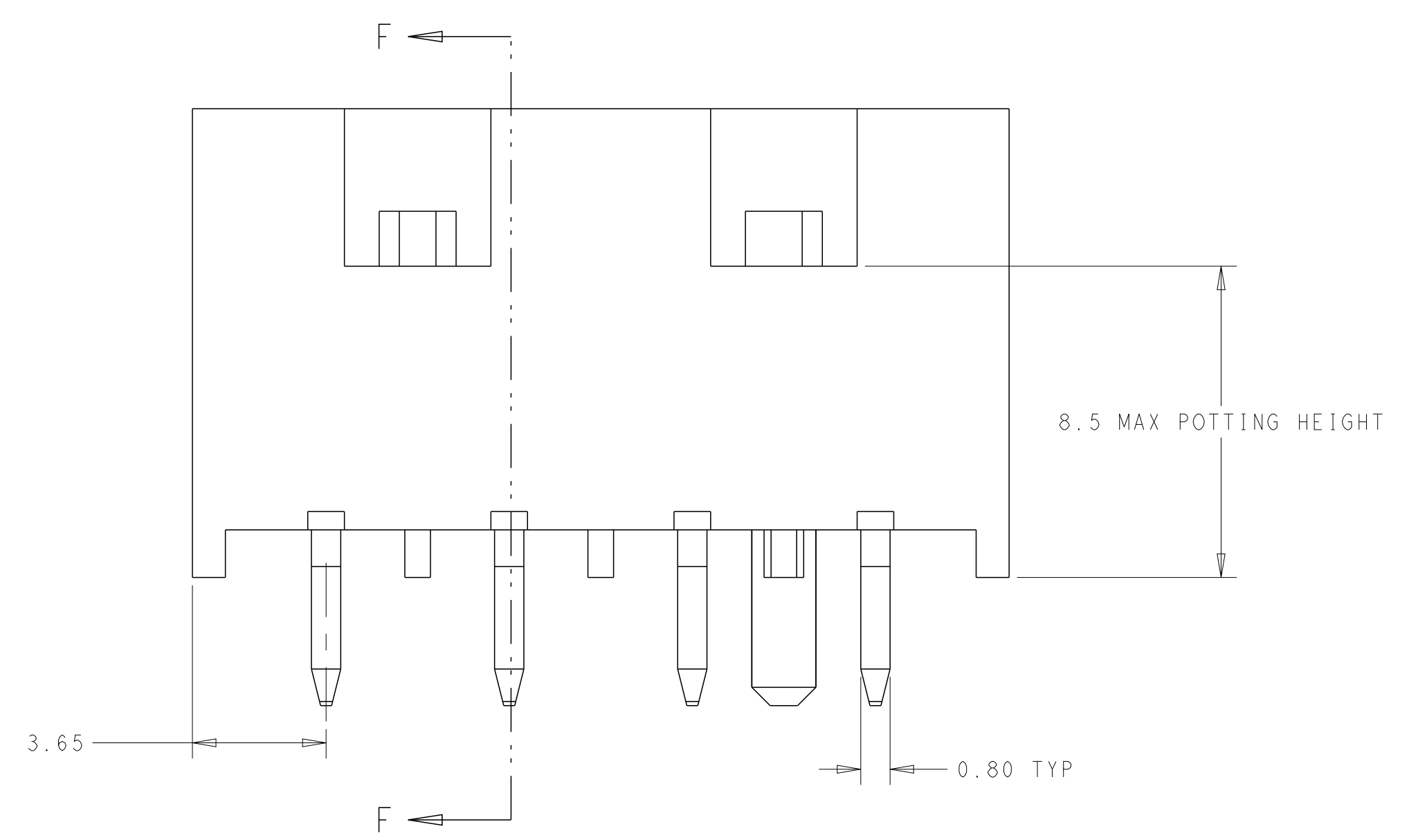
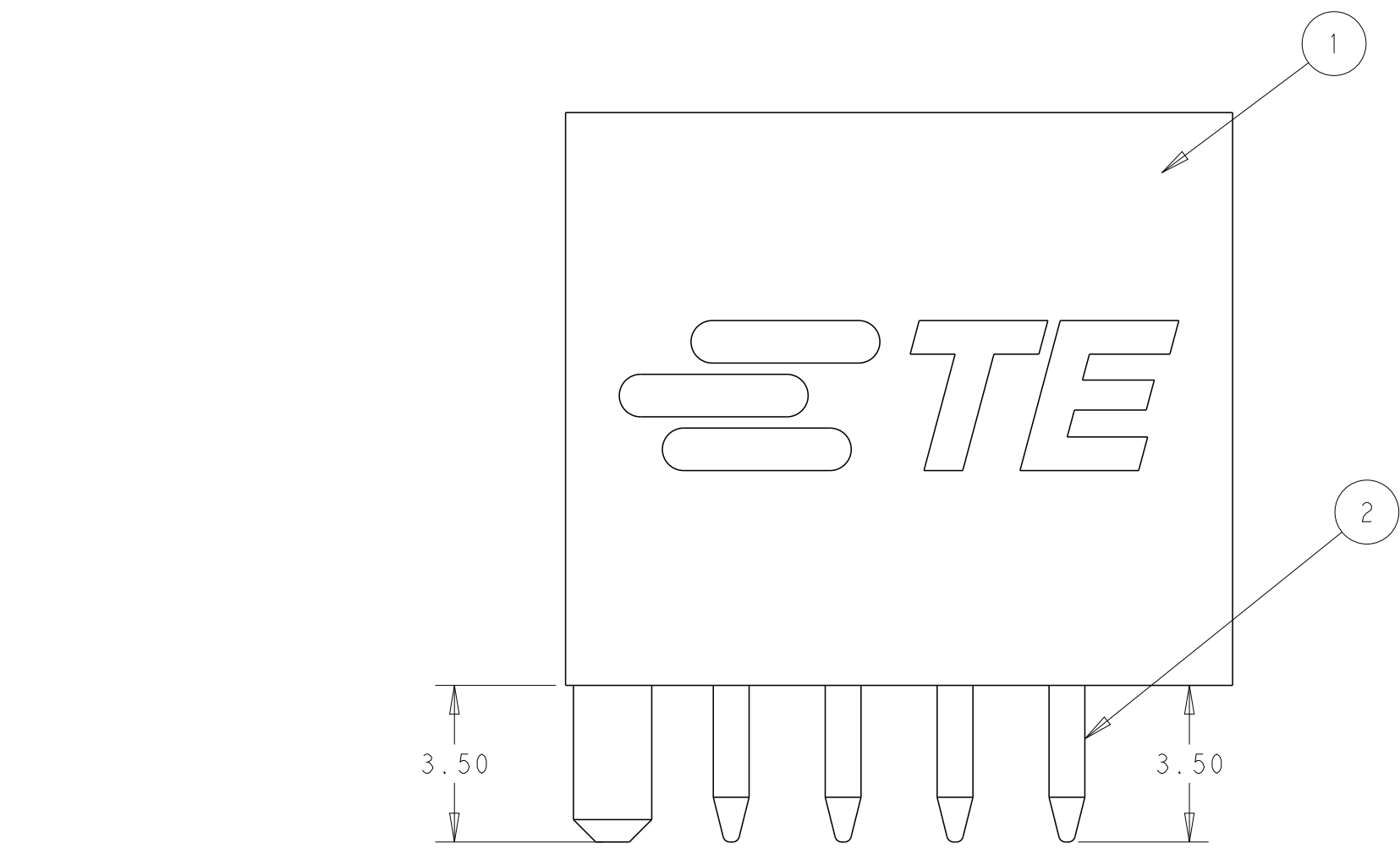


REVISIONS				
P	LTN	DESCRIPTION	DATE	APVD
B4	ECR-22-154934		09NOV2022	LZ FL
B5	ECR-23-171273		11APR2023	SM FL
B6	ECR-23-173723		03MAY2023	SM FL



NOTES:

- 1 HOUSING HAS RAST 5 COMPLIANT KEYING, LATCHING, AND POLARIZATION TAB IS 6.30 X 0.8 ACCORDING TO DIN 46244
- 2 SEE SHEET 2 FOR AVAILABLE CONFIGURATIONS
- 3 MATERIAL: HOUSING, NYLON, UL94 V0, 750°C GWT NO FLAME CONTACT, COPPER ALLOY, 0.8MM THICK
- 4 FINISH: CONTACTS WITH TIN:MATTE TIN PLATING OVERALL, NICKEL UNDER-PLATING CONTACTS WITH SILVER:SILVER PLATING OVERALL, NICKEL UNDER-PLATING
- 5 PCB TABS INSERTED IN A STAGGERED PATTERN BEGINNING WITH POSITION 1
- 6 DIMENSION OFF OF LAST POSITION REGARDLESS OF EVEN OR ODD POSITION HEADER
- 7 PACKAGING: LOOSE PIECE
- 8 PRELIMINARY PART - NOT RELEASED FOR PRODUCTION THIS PRODUCT HAS NOT COMPLETED QUALIFICATION TESTING
- 9 TOOL MARK ON TERMINAL SURFACE IS ACCEPTABLE WHICH DOES NOT IMPACT FUNCTION
- 10 PACKAGING WITH NORMAL PE BAG.



20.30	22.30	4
15.30	17.30	3
10.30	12.30	2
M	N	NO. OF POS.

THIS DRAWING IS A CONTROLLED DOCUMENT.

DIMENSIONS:	TOLERANCES UNLESS OTHERWISE SPECIFIED:	0 PLC ±	1 PLC ±	2 PLC ±0.25	3 PLC ±	4 PLC ±	ANGLES ±	FINISH
mm								

MATERIAL: SEE NOTES

THIS DRAWING IS A CONTROLLED DOCUMENT. DWG: J. POTERJOY 09APR2015, CHK: F. LUPO 09APR2015, APVD: R. ROBONE 09APR2015

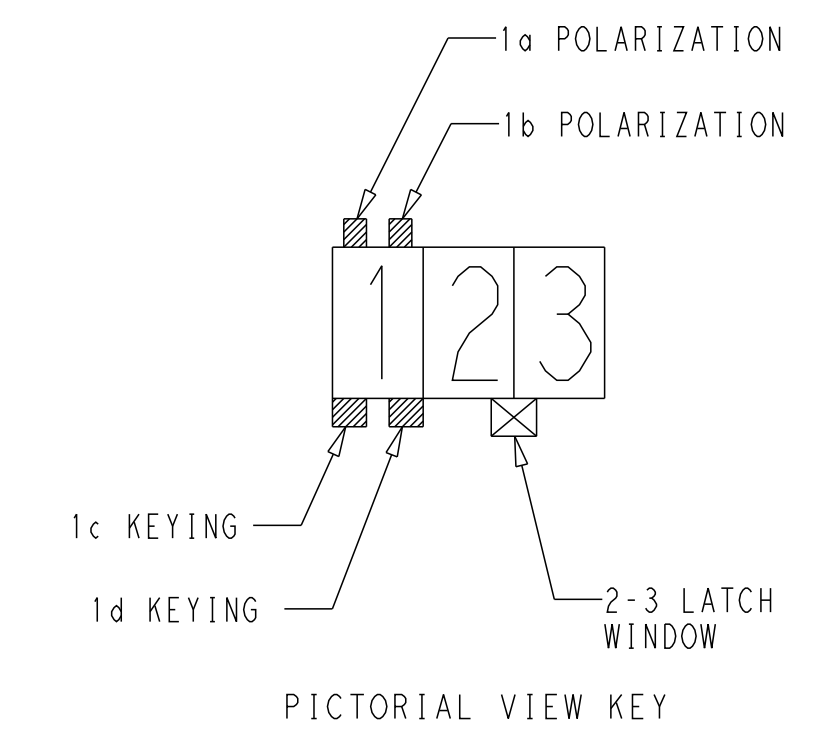
NAME: RAST 5 TAB HEADER ASSY, DIN SHROUDED, VERTICAL

SIZE: A1, CAGE CODE: - , DRAWING NO: C=1969740, RESTRICTED TO: -

CUSTOMER DRAWING, SCALE: 7:1, SHEET 1 OF 3, REV: B6

REVISIONS				
P	LTN	DESCRIPTION	DATE	APVD
-	-	SEE SHEET 1	-	-

	NATURAL	3	DIN TAB WITH SILVER PLATING	1	RAST 5 TAB HEADER HOUSING	3	2407489-3	B
		2		1		2	2407489-2	
LAYOUT	COLOR	QTY	TAB CONTACT	QTY	HOUSING	NO. OF POS	TE PART NO.	PCB LAYOUT



	NATURAL	4	DIN TAB WITH MATTE TIN PLATING	1	RAST 5 TAB HEADER HOUSING	4	1-1969740-4	A
		4		1		4	1969740-4	
		3		1		3	1-1969740-3	
		3		1		3	1969740-3	
		2		1		2	1-1969740-2	
		2		1		2	1969740-2	
LAYOUT	COLOR	QTY	TAB CONTACT	QTY	HOUSING	NO. OF POS	TE PART NO.	PCB LAYOUT

	NATURAL	3	DIN TAB WITH SILVER PLATING	1	RAST 5 TAB HEADER HOUSING	3	2355812-3	2432808-3	2432809-3	A
		2		1		2	2-2355812-2	2-2432808-2	2-2432809-2	
		2		1		2	1-2355812-2	1-2432808-2	1-2432809-2	
		2		1		2	2355812-2	/	/	
LAYOUT	COLOR	QTY	TAB CONTACT	QTY	HOUSING	NO. OF POS	PART NO. WITH MOISTURE BARRIER BAG	PART NO. W FOIL BAG WITH RESIN B	PART NO. W PE BAG WITH RESIN B	PCB LAYOUT

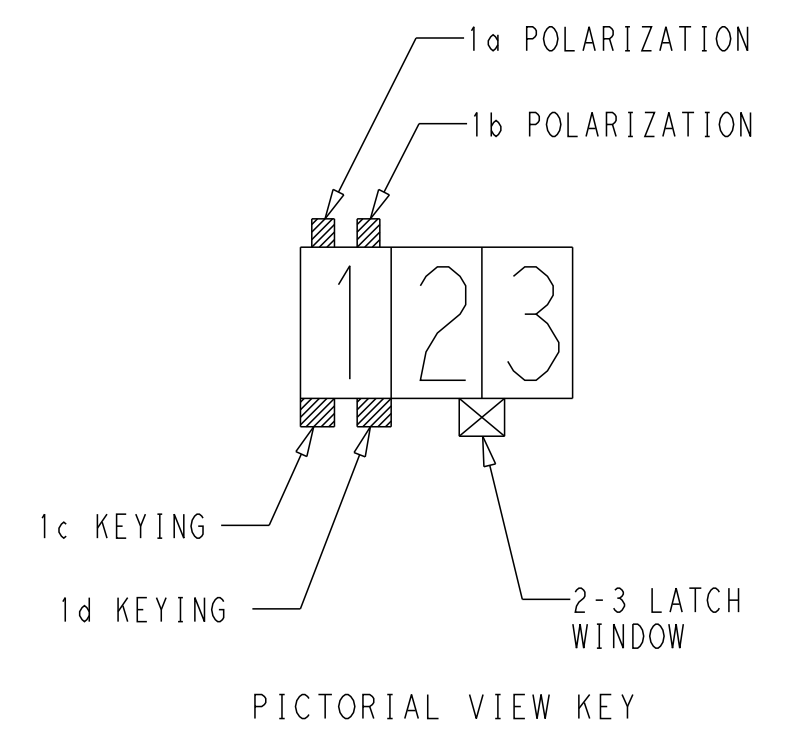
THIS DRAWING IS A CONTROLLED DOCUMENT.

DIMENSIONS: mm	TOLERANCES UNLESS OTHERWISE SPECIFIED:	0 PLC ±	1 PLC ±	2 PLC ±0.25	3 PLC ±	4 PLC ±	ANGLES ±3°
MATERIAL: SEE NOTES	FINISH: SEE NOTES	WEIGHT: -	SIZE: A1	CAGE CODE: -	DRAWING NO: C=1969740	RESTRICTED TO: -	SCALE: 8:1

DWG: J. POTERJOY 09APR2015
 CHK: F. LUPO 09APR2015
 APVD: B. ROBONE 09APR2015
 NAME: RAST 5 TAB HEADER ASSY, DIN SHROUDED, VERTICAL
 APPLICATION SPEC: -
 CUSTOMER DRAWING
 SHEET 2 OF 3
 REV B6

REVISIONS				
P	LTN	DESCRIPTION	DATE	APVD
-		SEE SHEET 1	-	-

		3		1	3	2532387-3		
	NATURAL	2	DIN TAB WITH SILVER PLATING	1	2	2-2532387-2	A	
		2		1	2	1-2532387-2		
		2		1	2	2532387-2		
LAYOUT		COLOR		QTY	TAB CONTACT \triangle	QTY		HOUSING \triangle



THIS DRAWING IS A CONTROLLED DOCUMENT.		DWN J. POTERJOY 09APR2015	TE Connectivity
DIMENSIONS: mm		CHK F. LUPO 09APR2015	
TOLERANCES UNLESS OTHERWISE SPECIFIED:		APVD B. ROBONE 09APR2015	NAME RAST 5 TAB HEADER ASSY, DIN SHROUDED, VERTICAL
0 PLC ±	1 PLC ±	PRODUCT SPEC	SIZE A1
2 PLC ±0.25	3 PLC ±	APPLICATION SPEC	CAGE CODE -
4 PLC ±	ANGLES ±3°	FINISH	DRAWING NO. C=1969740
MATERIAL SEE NOTES	SEE NOTES	WEIGHT -	RESTRICTED TO -
CUSTOMER DRAWING		SCALE 8:1	SHEET 3 OF 3
		REV B6	