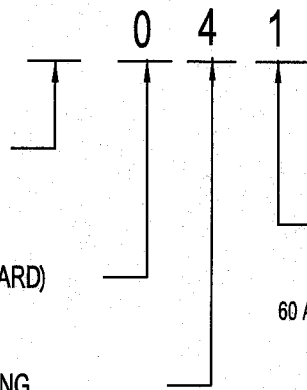


REV	ECN	APP'D
-	5915	GHR 07/27/06

ELMP



NUMBER OF POSITIONS
 04 - 4 POSITIONS
 08 - 8 POSITIONS

WIRE WINDOW (STANDARD)
 0 = WIRE WINDOW

CENTERLINE SPACING
 4 = .400" CL

GENERAL SPECIFICATIONS

1= 2 CONTACT TAILS PER POSITION - .400" SPACED
 60 AMP, 300V, BLACK, TIN PLATING



RATINGS

CURRENT - 60A PENDING
 VOLTAGE - 300V PENDING
 U.L. FILE NO. E83421



RATINGS

CURRENT - 60A PENDING
 VOLTAGE - 300V PENDING
 CSA FILE NO. LR69703

DIN VDE 0627:1986
 DIN VDE 0110-1:1989
 EN 60947-1:1991
 EN 60947-7-1:1992

CURRENT - 60A PENDING
 VOLTAGE - 300V PENDING
 TUV FILE NO. 20396

INSTALLATION RECOMMENDATIONS:

WIRE RANGE: AWG #8 - 18 AWG, STRAND OR SOLID
 WIRE STRIP LENGTH: .430" (16.0 MM)
 REC. TIGHTENING TORQUE: 12 IN-LB.

MATERIALS:

HOUSING: PA, UL 94 V-0, BLACK
 CONTACT: CU ALLOY, TIN PLATING PER ASTM B-545
 SCREW: STEEL, BLACK ZINC PLATING PER ASTM B63398
 WIRE CLAMP: CU ALLOY, NICKEL PLATING PER QQ-N-290

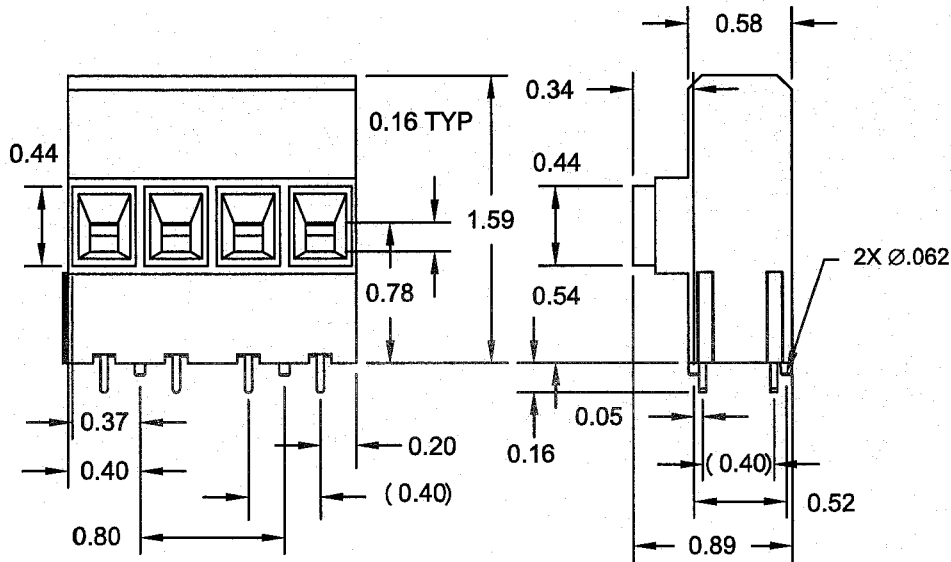
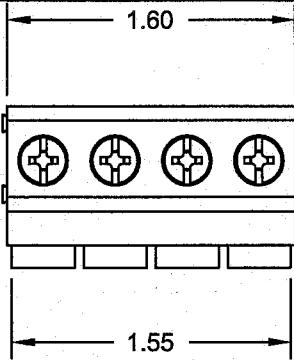
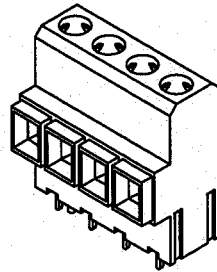
OPERATING TEMPERATURE:

-40 °C TO 120 °C

DIMENSIONS ANSI Y14.5M UNITS: INCHES Pro/E FILE	TOLERANCES .XX ± 0.01 .XXX ± 0.005 ANGLES ± 2.0 °	PROJECTION 	AMPHENOL PCD			TITLE ELMP SERIES TERMINAL BLOCK .400" CL		
			ENGR R. VAN DER ESCH 07/27/06					
ORIGINAL STAMPED IN RED	THIS DOCUMENT CONTAINS PROPRIETARY INFORMATION WHICH IS THE CONFIDENTIAL PROPERTY OF AMPHENOL PCD, INC. PEABODY, MA, USA	CHKD P. CASTRICHINI 07/27/06			SIZE A	DWG NO. ELMP04041		REV -
		APPD G. ROBERTSON 07/27/06			CODE: 58982		SCALE: NONE	

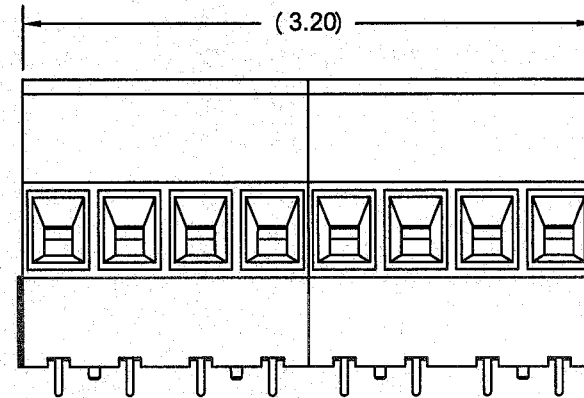
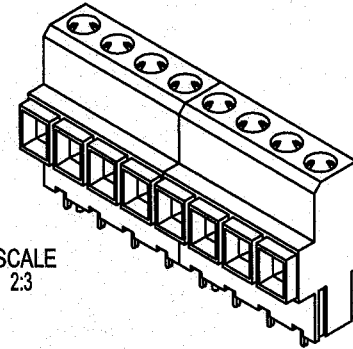
ELMP04041

SCALE
2:3



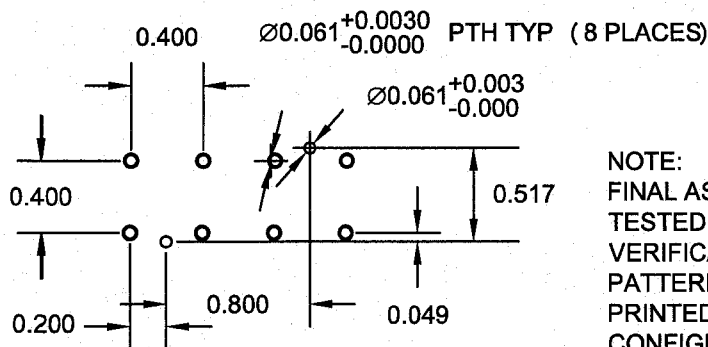
ELMP08041

SCALE
2:3



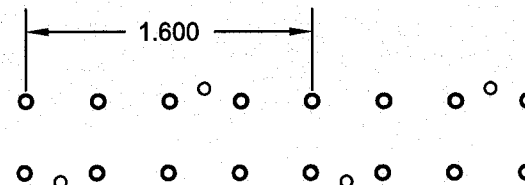
ALL OTHER DIMENSIONS SAME AS ELMP04041

PRINTED CIRCUIT BOARD CONFIGURATION



NOTE:
FINAL ASSEMBLY MUST BE TESTED FOR FIT
VERIFICATION TO THE DRILL PATTERN NOTED ON PRINTED CIRCUIT BOARD CONFIGURATION

RECOMMENDED PCB THICKNESS: .062 ± .008



8 CIRCUIT PATTERN IS TWO 4 CIRCUIT PATTERNS
OFFSET BY 1.600

SIZE A	DWG NO. ELMP04041	REV -
CODE: 58982	SCALE: NONE	SHEET 2 OF 2