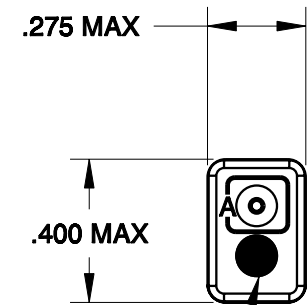
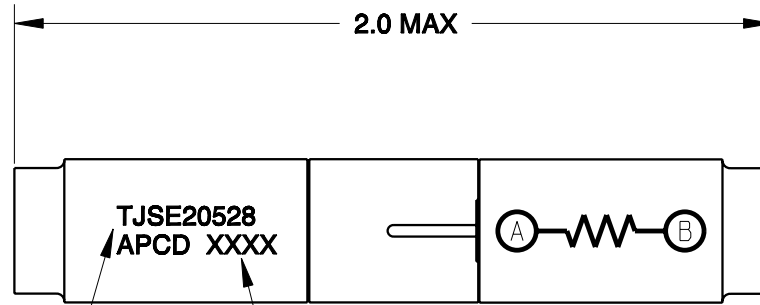


REV	ECN	APP'D
1		

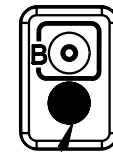


SEAL HOLE
SILICONE RTV



WHITE MARKING
.06 HT

DATE CODE



SEAL HOLE
SILICONE RTV

NOTES:

- MATERIALS:**
 HOUSING: POLYETHERIMIDE, COLOR BLACK
 GROMMET: SILICONE ELASTOMER, COLOR BLUE
 INTERNAL CONTACT: COPPER ALLOY, GOLD PLATED,
 PER MIL-G-45204, TYPE I, GRADE C, CLASS I.
 CONTACT RETAINER: STAINLESS STEEL
- SPLICE ACCEPTS (2) MATING M39029/1-101 CONTACTS (NOT INCLUDED)
- PART COMPLIES TO ALL REQUIREMENTS PER MIL-T-81714.
- RESISTOR: $2K \Omega$, 1/4W

DIMENSIONS ANSI Y14.5M UNITS: INCHES Pro/E FILE	TOLERANCES .XX ±0.01 .XXX ±0.005 ANGLES ±2.0°	PROJECTION 	<h1>Amphenol Pcd</h1> <p>SPECIFICATION DRAWING</p>		TITLE WIRE SPLICE, ELECTRONIC RESISTOR, $2K \Omega$, 1/4W SIZE 20		
			ENGR D. LANG 03/24/06	SIZE A		DWG NO. TJSE20528	
THIS DOCUMENT CONTAINS PROPRIETARY INFORMATION WHICH IS THE CONFIDENTIAL PROPERTY OF AMPHENOL PCD INC., PEABODY, MA			CHKD	CODE: 58982		SCALE: 2:1	SHEET 1 OF 1
			APPD				