

| | |
|--|---|
| GloTek, Inc. www.globtek.com 186 Veterans Drive, Northvale, NJ 07647 Tel. (201) 784-1000 Fax (201) 784-0111 | Drawing Title: South-African standard SABS 164-4, Flat portion centered, Red to IEC320C13 Female for South Africa, GT Cable #428VDE: 1.5 / 3 Conductors, mm OD, H05VV-F, 70 Deg.C, 500V, BLU/BRN/GRN-YW, Approvals: IEC 60227, 2500 +/- 50mm, GlobTek Black |
| | Model No. Power Cord |
| | Part No./Ordering No. 208SA0C4282M5701(R) |
| | Rev A |

CUSTOMIZED LENGTHS, COLORS, CABLE TYPES, TERMINATIONS/PLUGS/RECEPTACLES AVAILABLE UPON REQUEST. ADDITIONAL PLUG OPTIONS ARE AVAILABLE AT <https://www.globtek.com/connectors/> STANDARD PLUGS AND CONNECTORS CAN BE SEEN ONLINE AT <https://www.globtek.com/connectors/> ACTUAL CONNECTORS, OVERMOLDS, FERRITES MAY VARY SLIGHTLY FROM THE PICTURE BELOW DIMENSIONS ARE IN MM UNLESS SPECIFIED OTHERWISE

In Addition to GlobTek Inc.'s renewed ISO9001:2008 - Quality Management System Certification, GlobTek Inc. is now certified to:

ISO13485:2003 - Medical Devices Quality Management System Certification
ISO14001:2004 - Environmental Management System Certification

ISO Certificates are available online at <https://www.globtek.com/iso-certificates/>
Prop 65 Statement: <https://en.globtek.com/prop-65-statement.pdf>

The acceptance of this specification and use of the product described in this document indicates the acceptance and binding of the customer to Globtek TERMS AND CONDITIONS (attached to the end of this document), which supersede all other agreements, terms, and conditions (<https://en.globtek.com/terms-and-conditions/>).

The purchaser of this product (Customer) agrees that it is their sole responsibility to determine suitability/fitness of the product described in this specification for their application and to take precautions for protection against any hazards attendant to the handling and use of the product.

Footnote:

GlobTek Inc. will not be liable for the safety and performance of these power supplies if unauthorized access and repair occurs. End user should consult applicable UL, CSA or EN standards for proper installation instruction.

Limitation of Use:

GlobTek products are intended for use with commercial, medical, and/or industrial equipment only. GlobTek product are not authorized for use as mission critical components in life support hazardous environment, nuclear or aircraft applications without prior written approval from the CEO of GlobTek Inc.
Contents of this document are subject to change without prior notice.

Customer Approval of Specification:

Please approve, sign and send back to GlobTek so we can complete order processing.
A delay in receipt of this form will delay delivery schedule.

| | |
|---------------------------------------|--|
| Company Name: _____ | Customer P/N: _____ |
| Quote Number: _____ | Date: _____ |
| Authorized Representative Name: _____ | Authorized Representative Signature: _____ |

| | | |
|---|---|-------|
| GlobTek, Inc. www.globtek.com 186 Veterans Drive, Northvale, NJ 07647 Tel. (201) 784-1000 Fax (201) 784-0111 | Drawing Title: South-African standard SABS 164-4, Flat portion centered, Red to IEC320C13 Female for South Africa, GT Cable #428VDE: 1.5 / 3 Conductors, mm OD, H05VV-F, 70 Deg.C, 500V, BLU/BRN/GRN-YW, Approvals: IEC 60227, 2500 +/- 50mm, GlobTek Black | |
| | Model No. Power Cord | |
| | Part No./Ordering No. 208SA0C4282M5701(R) | Rev A |

CUSTOMIZED LENGTHS, COLORS, CABLE TYPES, TERMINATIONS/PLUGS/RECEPTACLES AVAILABLE UPON REQUEST. ADDITIONAL PLUG OPTIONS ARE AVAILABLE AT <https://www.globtek.com/connectors/> STANDARD PLUGS AND CONNECTORS CAN BE SEEN ONLINE AT <https://www.globtek.com/connectors/> ACTUAL CONNECTORS, OVERMOLDS, FERRITES MAY VARY SLIGHTLY FROM THE PICTURE BELOW DIMENSIONS ARE IN MM UNLESS SPECIFIED OTHERWISE

REVISION HISTORY

| REV | DESCRIPTION | SUB | DATE | APPROVED |
|-----|-----------------|-------|------------|----------|
| A | Initial release | bsiep | 11/18/2020 | BOB |

Cordset Information:

CordsetColor:GlobTek Black

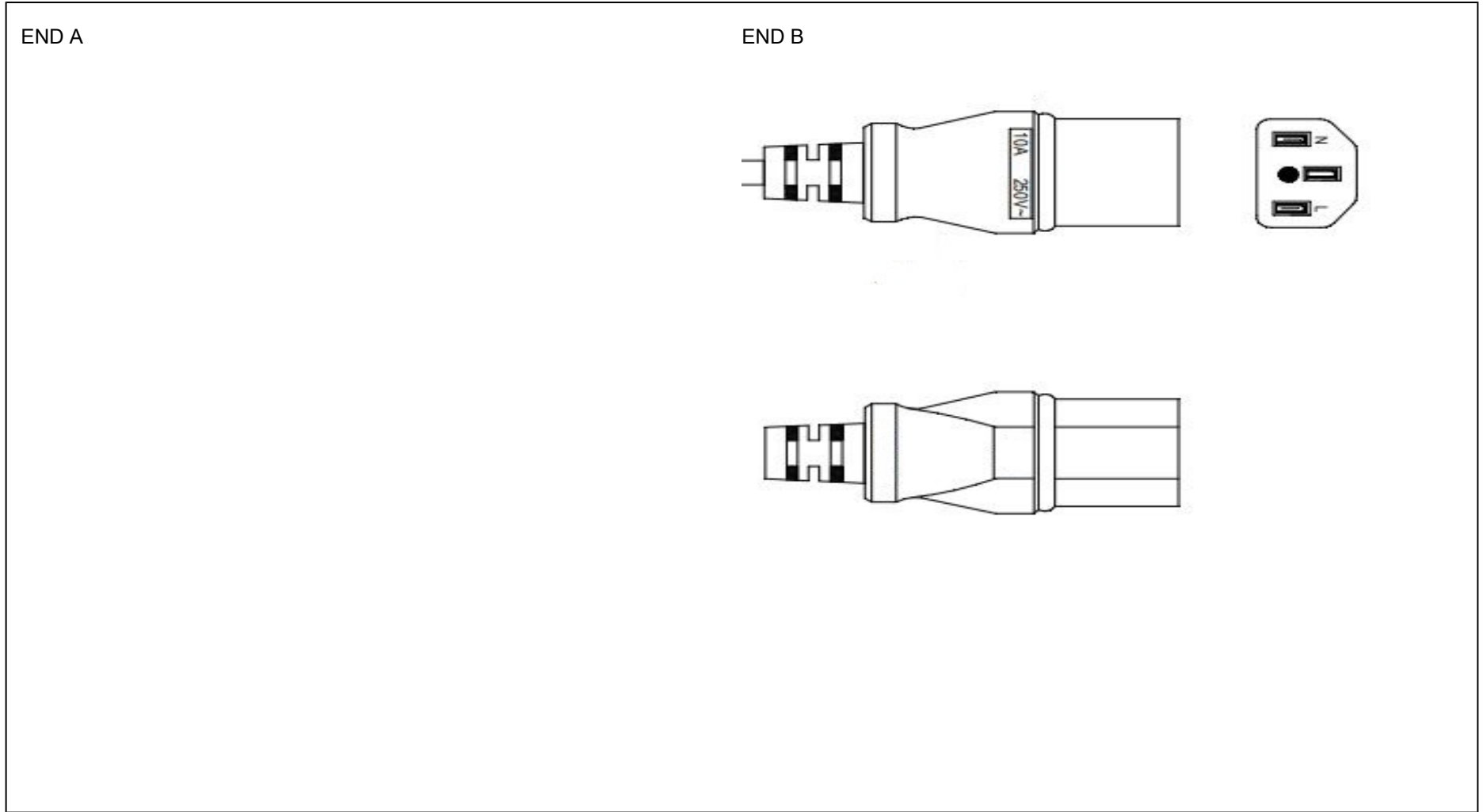
Cord Length (mm):2500 +/- 50

NOTES:

Cordset and connector are black with black molded plug.

| | |
|---|---|
| GlobTek, Inc. www.globtek.com 186 Veterans Drive, Northvale, NJ 07647 Tel. (201) 784-1000 Fax (201) 784-0111 | Drawing Title: South-African standard SABS 164-4, Flat portion centered, Red to IEC320C13 Female for South Africa, GT Cable #428VDE: 1.5 / 3 Conductors, mm OD, H05VV-F, 70 Deg.C, 500V, BLU/BRN/GRN-YW, Approvals: IEC 60227, 2500 +/- 50mm, GlobTek Black |
| | Model No. Power Cord |
| Part No./Ordering No. 208SA0C4282M5701(R) | Rev A |

CUSTOMIZED LENGTHS, COLORS, CABLE TYPES, TERMINATIONS/PLUGS/RECEPTACLES AVAILABLE UPON REQUEST. ADDITIONAL PLUG OPTIONS ARE AVAILABLE AT <https://www.globtek.com/connectors/> STANDARD PLUGS AND CONNECTORS CAN BE SEEN ONLINE AT <https://www.globtek.com/connectors/> ACTUAL CONNECTORS, OVERMOLDS, FERRITES MAY VARY SLIGHTLY FROM THE PICTURE BELOW DIMENSIONS ARE IN MM UNLESS SPECIFIED OTHERWISE



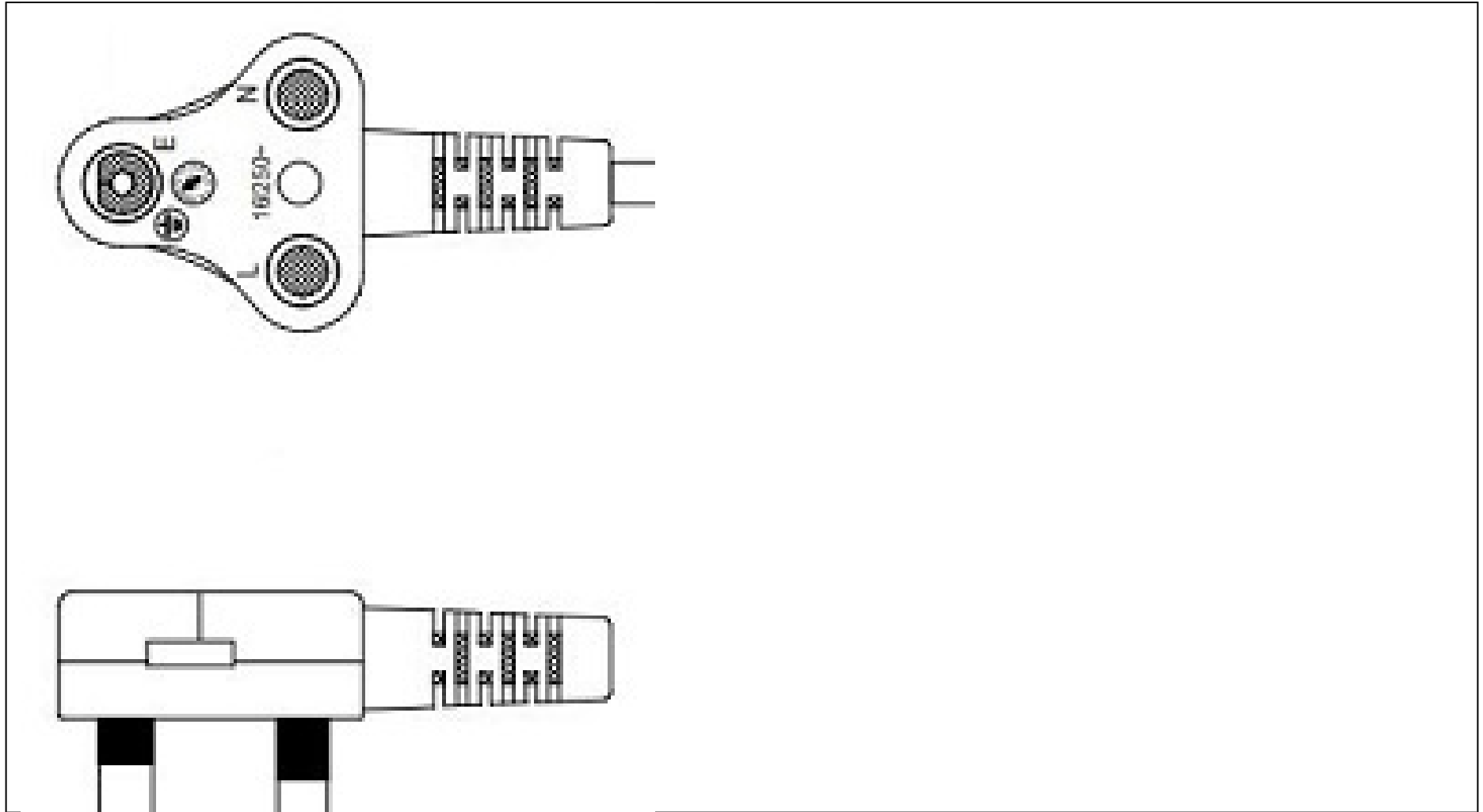
PROPRIETARY INFORMATION

PROPRIETARY OF GLOBTEK, INC. ANY REPRODUCTION, DISCLOSURE OR USE OF THIS DRAWING, IN WHOLE OR IN PART, IS HEREBY PROHIBITED EXCEPT AS SPECIFIED IN WRITING BY GLOBTEK, INC. © GlobTek, Inc. 2020 - 2023

quest /10/01/2023 12:10:25 PM CLONED FROM 208SA53L4282M5701(R)

| | | |
|--|--|--------------|
| <p>GlobTek, Inc. www.globtek.com 186 Veterans Drive, Northvale, NJ 07647 Tel. (201) 784-1000 Fax (201) 784-0111</p> | <p>Drawing Title: South-African standard SABS 164-4, Flat portion centered, Red to IEC320C13 Female for South Africa, GT Cable #428VDE: 1.5 / 3 Conductors, mm OD, H05VV-F, 70 Deg.C, 500V, BLU/BRN/GRN-YW, Approvals: IEC 60227, 2500 +/- 50mm, GlobTek Black</p> | |
| | <p>Model No. Power Cord</p> | |
| | <p>Part No./Ordering No. 208SA0C4282M5701(R)</p> | <p>Rev A</p> |

CUSTOMIZED LENGTHS, COLORS, CABLE TYPES, TERMINATIONS/PLUGS/RECEPTACLES AVAILABLE UPON REQUEST. ADDITIONAL PLUG OPTIONS ARE AVAILABLE AT <https://www.globtek.com/connectors/> STANDARD PLUGS AND CONNECTORS CAN BE SEEN ONLINE AT <https://www.globtek.com/connectors/> ACTUAL CONNECTORS, OVERMOLDS, FERRITES MAY VARY SLIGHTLY FROM THE PICTURE BELOW DIMENSIONS ARE IN MM UNLESS SPECIFIED OTHERWISE



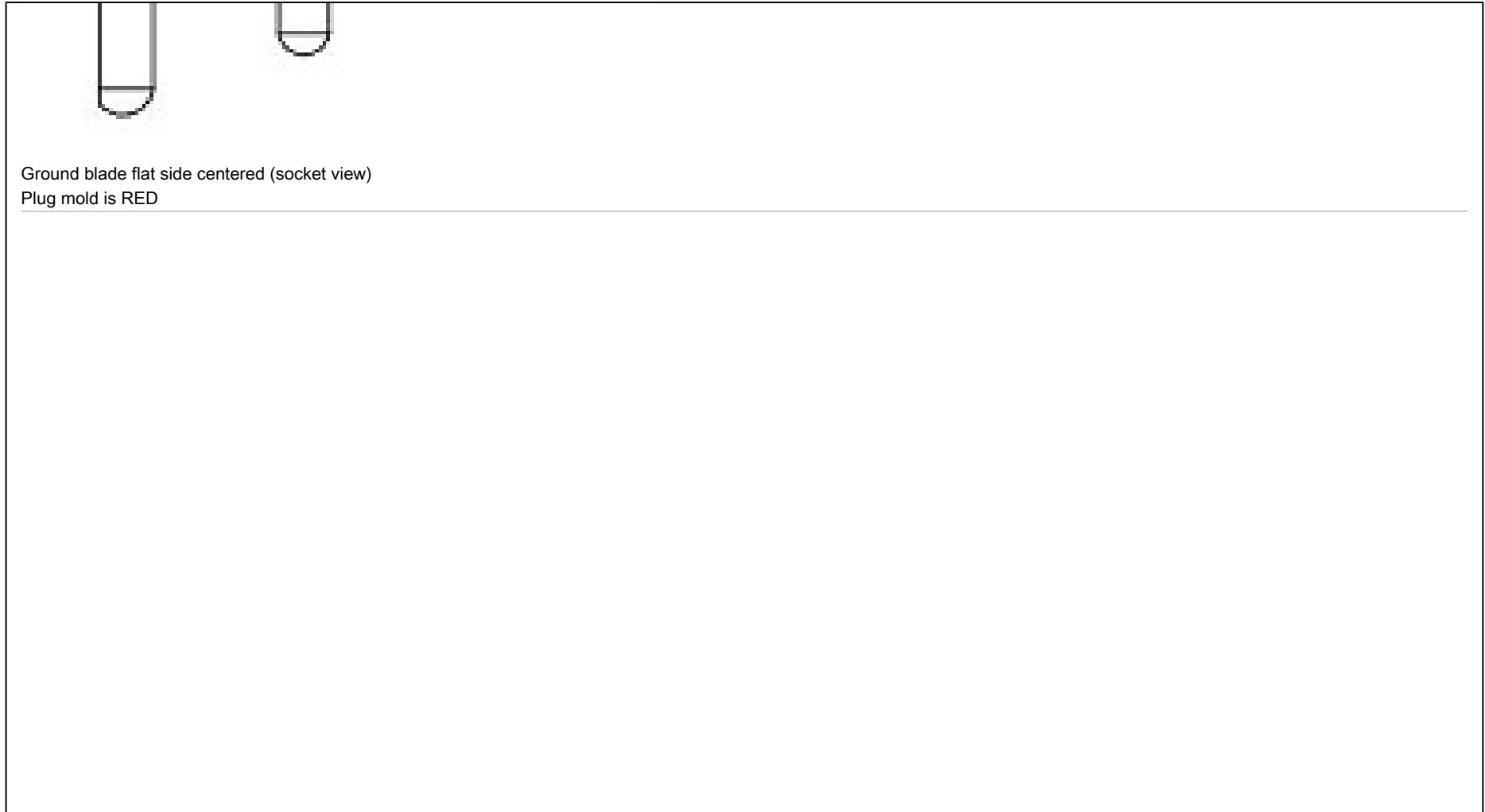
PROPRIETARY INFORMATION

PROPRIETARY OF GLOBTEK, INC. ANY REPRODUCTION, DISCLOSURE OR USE OF THIS DRAWING, IN WHOLE OR IN PART, IS HEREBY PROHIBITED EXCEPT AS SPECIFIED IN WRITING BY GLOBTEK, INC. © GlobTek, Inc. 2020 - 2023

quest /10/01/2023 12:10:25 PM CLONED FROM 208SA53L4282M5701(R)

| | | |
|---|---|---|
| GlobTek, Inc. www.globtek.com 186 Veterans Drive, Northvale, NJ 07647 Tel. (201) 784-1000 Fax (201) 784-0111 | Drawing Title: South-African standard SABS 164-4, Flat portion centered, Red to IEC320C13 Female for South Africa, GT Cable #428VDE: 1.5 / 3 Conductors, mm OD, H05VV-F, 70 Deg.C, 500V, BLU/BRN/GRN-YW, Approvals: IEC 60227, 2500 +/- 50mm, GlobTek Black | |
| | Model No. Power Cord | Part No./Ordering No. 208SA0C4282M5701(R) |
| | | Rev A |

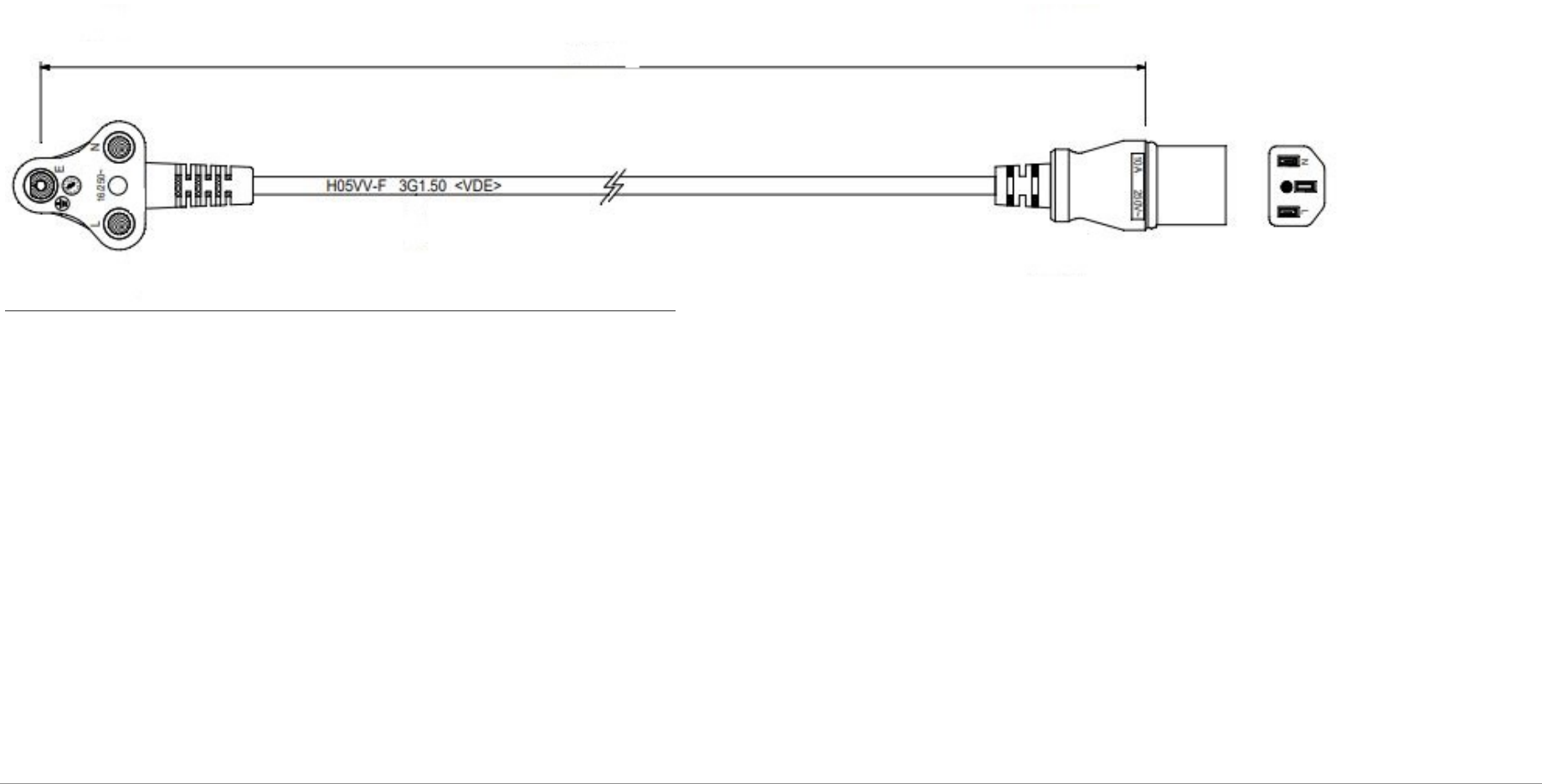
CUSTOMIZED LENGTHS, COLORS, CABLE TYPES, TERMINATIONS/PLUGS/RECEPTACLES AVAILABLE UPON REQUEST. ADDITIONAL PLUG OPTIONS ARE AVAILABLE AT <https://www.globtek.com/connectors/> STANDARD PLUGS AND CONNECTORS CAN BE SEEN ONLINE AT <https://www.globtek.com/connectors/> ACTUAL CONNECTORS, OVERMOLDS, FERRITES MAY VARY SLIGHTLY FROM THE PICTURE BELOW DIMENSIONS ARE IN MM UNLESS SPECIFIED OTHERWISE



| | | |
|---|---|-------|
| GlobTek, Inc. www.globtek.com 186 Veterans Drive, Northvale, NJ 07647 Tel. (201) 784-1000 Fax (201) 784-0111 | Drawing Title: South-African standard SABS 164-4, Flat portion centered, Red to IEC320C13 Female for South Africa, GT Cable #428VDE: 1.5 / 3 Conductors, mm OD, H05VV-F, 70 Deg.C, 500V, BLU/BRN/GRN-YW, Approvals: IEC 60227, 2500 +/- 50mm, GlobTek Black | |
| | Model No. Power Cord | Rev A |
| Part No./Ordering No. 208SA0C4282M5701(R) | | |

CUSTOMIZED LENGTHS, COLORS, CABLE TYPES, TERMINATIONS/PLUGS/RECEPTACLES AVAILABLE UPON REQUEST. ADDITIONAL PLUG OPTIONS ARE AVAILABLE AT <https://www.globtek.com/connectors/> STANDARD PLUGS AND CONNECTORS CAN BE SEEN ONLINE AT <https://www.globtek.com/connectors/> ACTUAL CONNECTORS, OVERMOLDS, FERRITES MAY VARY SLIGHTLY FROM THE PICTURE BELOW DIMENSIONS ARE IN MM UNLESS SPECIFIED OTHERWISE

CABLE IMAGE



| | | |
|---|---|---|
| GlobTek, Inc. www.globtek.com 186 Veterans Drive, Northvale, NJ 07647 Tel. (201) 784-1000 Fax (201) 784-0111 | Drawing Title: South-African standard SABS 164-4, Flat portion centered, Red to IEC320C13 Female for South Africa, GT Cable #428VDE: 1.5 / 3 Conductors, mm OD, H05VV-F, 70 Deg.C, 500V, BLU/BRN/GRN-YW, Approvals: IEC 60227, 2500 +/- 50mm, GlobTek Black | |
| | Model No. Power Cord | Part No./Ordering No. 208SA0C4282M5701(R) |
| | | Rev A |

CUSTOMIZED LENGTHS, COLORS, CABLE TYPES, TERMINATIONS/PLUGS/RECEPTACLES AVAILABLE UPON REQUEST. ADDITIONAL PLUG OPTIONS ARE AVAILABLE AT <https://www.globtek.com/connectors/> STANDARD PLUGS AND CONNECTORS CAN BE SEEN ONLINE AT <https://www.globtek.com/connectors/> ACTUAL CONNECTORS, OVERMOLDS, FERRITES MAY VARY SLIGHTLY FROM THE PICTURE BELOW DIMENSIONS ARE IN MM UNLESS SPECIFIED OTHERWISE

| | | |
|--|---|--|
| End A Code:208SA-53C-RED Description:South-African standard SABS 164-4, Flat portion centered, Red Rating (V):250 Rating (A):10.0 Gender:Male Overmolded:Yes | Cable Code:428VDE Description:GT Cable #428VDE: 1.5 / 3 Conductors, mm OD, H05VV-F, 70 Deg.C, 500V, BLU/BRN/GRN-YW, Approvals: IEC 60227 Color:GlobTek Black Wire Gauge(AWG):1.5 Cond:3 Type:H05VV-F Temperature:70° C Amps:16 Volts:500 OD: ConductorsColors:BLU/BRN/GRN-YW | End B Code:701SA Description:IEC320C13 Female for South Africa Rating (V):250 Rating (A):10.0 Gender:Male Overmolded:Yes |
|--|---|--|

Overall cable rating:10A / 125V~

| Plug Approvals | Cable Approvals | Connector Approvals |
|--|---|---------------------|
|  <p>SABS South Africa (Cordsets)</p> |  <p>VDE</p> | |

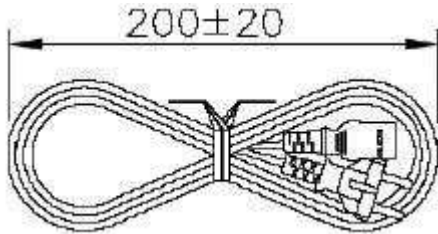
| | |
|-------------------------------|---|
| AGENCY ONLINE DOCUMENTS | http://en.globtek.com/cordsets/ |
| RoHS/RoHS3 Declaration | https://www.globtek.com/pdf/rohs_cert/01t3a000005Cj15AAC |
| REACH Declaration | https://www.globtek.com/pdf/iso_certificates/REACH.pdf |
| Conflict Minerals Declaration | https://www.globtek.com/pdf/conflict-minerals.pdf |
| Prop 65 Statement | https://en.globtek.com/prop-65-statement.pdf |
| CE.UKCA.Cord | https://globtek.secure.force.com/spec/ec_decl_product_model_family_incl_cord?id=01t3a000005Cj15 |

IPXY rating is based on 3rd party testing and customers should check suitability and test system level IPXY rating before ordering.

| | | |
|---|---|---|
| GlobTek, Inc. www.globtek.com 186 Veterans Drive, Northvale, NJ 07647 Tel. (201) 784-1000 Fax (201) 784-0111 | Drawing Title: South-African standard SABS 164-4, Flat portion centered, Red to IEC320C13 Female for South Africa, GT Cable #428VDE: 1.5 / 3 Conductors, mm OD, H05VV-F, 70 Deg.C, 500V, BLU/BRN/GRN-YW, Approvals: IEC 60227, 2500 +/- 50mm, GlobTek Black | |
| | Model No. Power Cord | Part No./Ordering No. 208SA0C4282M5701(R) |
| | | Rev A |

CUSTOMIZED LENGTHS, COLORS, CABLE TYPES, TERMINATIONS/PLUGS/RECEPTACLES AVAILABLE UPON REQUEST. ADDITIONAL PLUG OPTIONS ARE AVAILABLE AT <https://www.globtek.com/connectors/> STANDARD PLUGS AND CONNECTORS CAN BE SEEN ONLINE AT <https://www.globtek.com/connectors/> ACTUAL CONNECTORS, OVERMOLDS, FERRITES MAY VARY SLIGHTLY FROM THE PICTURE BELOW DIMENSIONS ARE IN MM UNLESS SPECIFIED OTHERWISE

Hanking:200
 Description:200 +/- 20mm
 Image:



Notes/Modifications/Customizations (notes in this section supersede the values shown in the standard spec):