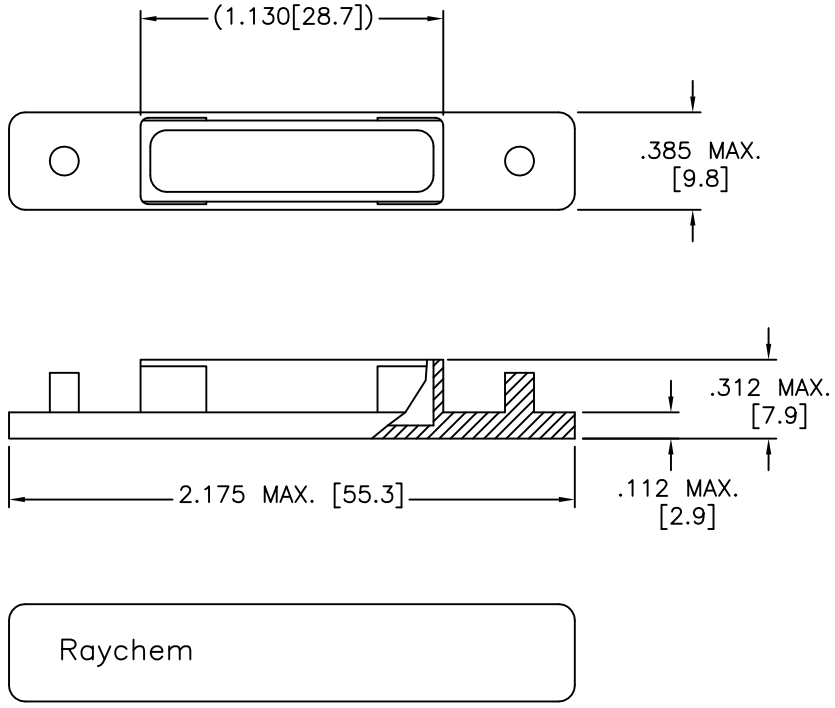
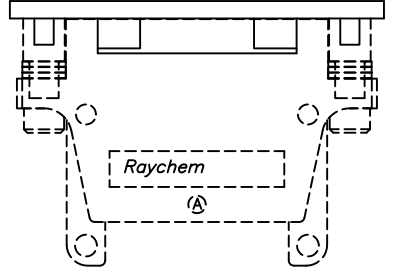


THIS DRAWING AND THE INFORMATION SET FORTH HEREON ARE THE PROPERTY OF TYCO ELECTRONICS CORPORATION AND ARE TO BE HELD IN TRUST AND CONFIDENCE. PUBLICATION, DUPLICATION, DISCLOSURE OR USE FOR ANY PURPOSE NOT EXPRESSLY AUTHORIZED IN WRITING BY TYCO ELECTRONICS CORPORATION IS PROHIBITED.

REVISIONS			
LTR	DESCRIPTION	DATE	APPROVED
N/C	INITIAL RELEASE	10-17-77	CRN
A	PER ECO-10-022842	Nov/8/2010	M.HIGGY



VIEW SHOWING TYPICAL
INSTALLATION



RECEPTACLE CONNECTOR

NOTES:

1. THIS PART IS USED WITH MTC SERIES 1 INCH RECEPTACLE CONNECTORS.
2. MATERIAL: PETROTHENE NA860008
LDPE POLYETHYLENE RESIN
COLOR RED.
3. WEIGHT: 0.003 Lbs. [1.34 grm.] MAXIMUM.

If this document is printed it becomes uncontrolled. Check for the latest revision

©2010 Tyco Electronics Corporation. All rights reserved.

CUSTOMER DRAWING

UNLESS OTHERWISE SPECIFIED DIMENSIONS ARE IN INCHES. METRIC DIMENSIONS ARE IN BRACKETS. DECIMALS .XXX ± 0.005 [0.13 mm] .XX ± [mm] .X ± [mm] ANGLES .X ±	DRAWN	ZSOFIA.ORBAN	Oct/26/2010		Raychem Interconnect 300 Constitution Drive Menlo Park, CA 94025 U.S.A.		
	CHECKED						
	APPROVED	M.HIGGY	Oct/26/2010	TITLE	CAP, DUST, 1 INCH RECEPTACLE MTC SERIES CONNECTOR POLYETHYLENE LOW DENSITY, RED		
	FINISH:	AS MOLDED		SIZE	CAGE CODE:	DWG. NO.	REV:
CAD NAME:	D-659-0059		A	06090	D-659-0059	A	
THIRD ANGLE PROJECTION			SCALE: NONE	SHEET 1 OF 1			