

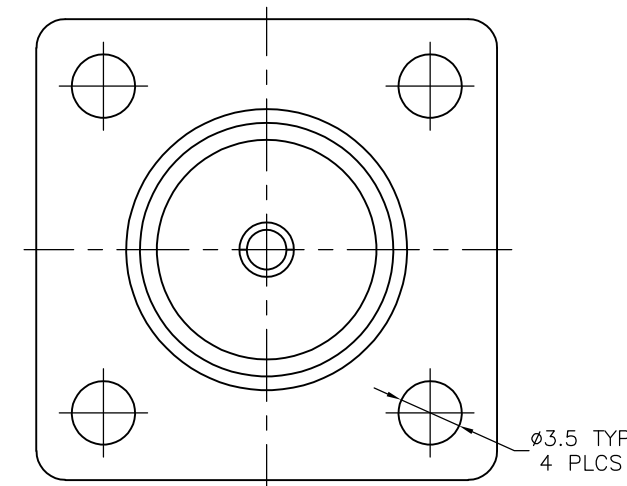
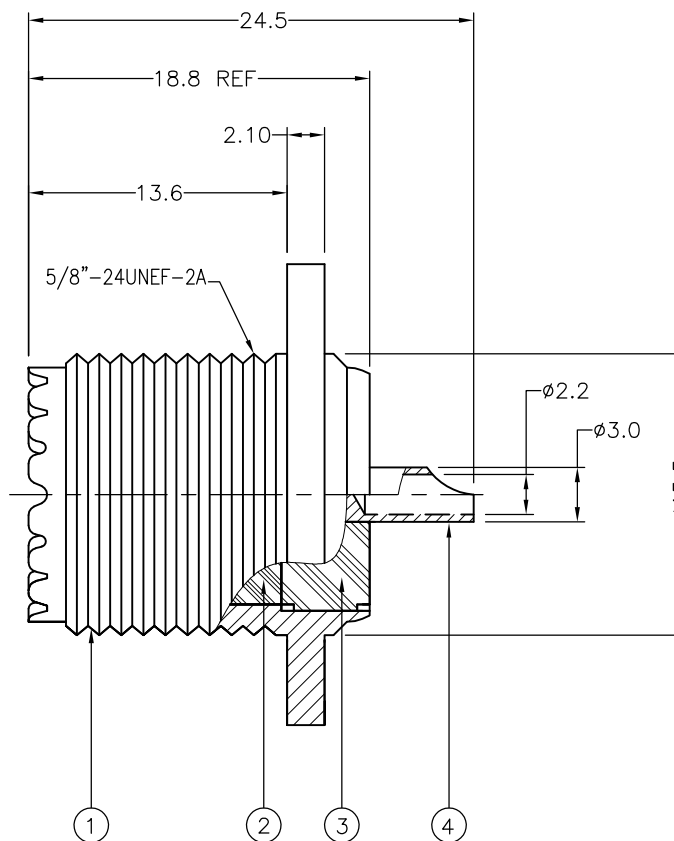
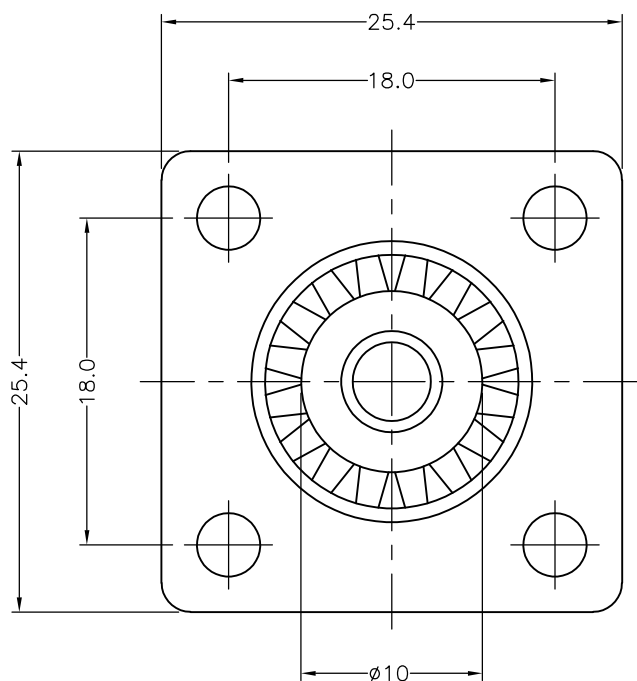
THIS DRAWING IS UNPUBLISHED. RELEASED FOR PUBLICATION AUGUST, 2006.

© COPYRIGHT 2006 By - ALL RIGHTS RESERVED.

LOC	DIST	REVISIONS					
E	B	P	LTR	DESCRIPTION	DATE	DWN	APVD
			C1	REVISED PER ECO-15-008227	10JUN2015	RZ	RS

NOTES:

- ① SINGLE PACKING: ONE CONNECTOR PER LABELED BAG PACKAGED. LABELED PER TEC-107-115
- ② TRAY PACKAGED
- ③ Tin PLATING
- ④ Ni PLATING
- 5 FOR TECHNICAL DATA REFER TO YOUR LOCAL TE CONNECTIVITY SALES OFFICE
- 6 ALL DIMENSIONS ARE NOMINAL FOR REFERENCE ONLY UNLESS OTHERWISE STATED



		1	1	BRASS	③	CONTACT	4
		1	1	PBT		INSULATION	3
		1	1	PBT		INSULATION	2
		1	1	ZINC	④	BODY	1
		5--1	5--0	MATERIAL		DESCRIPTION	ITEM
		①	②				
QUANTITY PER ASSY		PARTS LIST					

THIS DRAWING IS A CONTROLLED DOCUMENT.		DWN	ANSON MA	14FEB09	TE Connectivity NAME: UHF PANEL SOCKET							
DIMENSIONS: mm		CHK	RITA ZUO	14FEB09								
TOLERANCES UNLESS OTHERWISE SPECIFIED:		APVD	BOB ZHAO	14FEB09								
0 PLC ± 0.5 1 PLC ± 0.3 2 PLC ± 0.2 3 PLC ± - 4 PLC ± - ANGLES ± -		PRODUCT SPEC	108-112000									
MATERIAL	SEE TABLE	FINISH	-		SIZE	A3	CAGE CODE	00779	DRAWING NO	C-1814816	RESTRICTED TO	-
CUSTOMER DRAWING					SCALE	NTS	SHEET	1 OF 1	REV	C1		