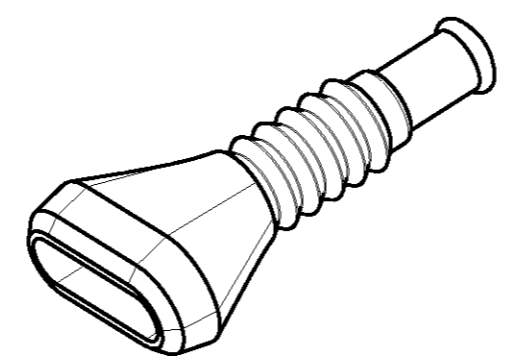
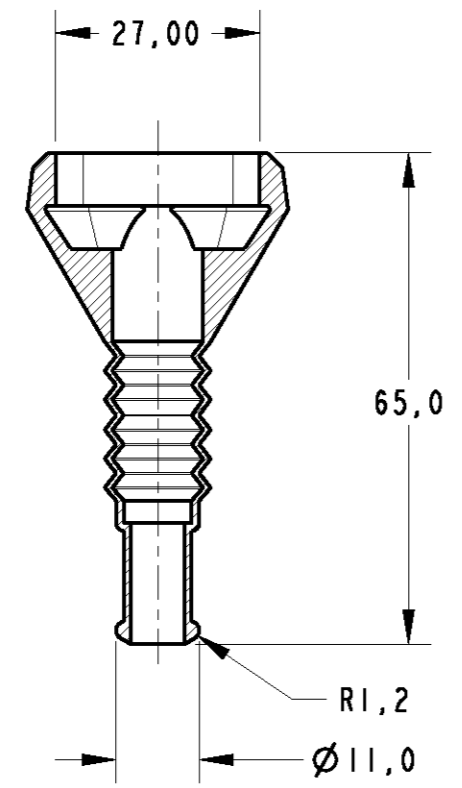
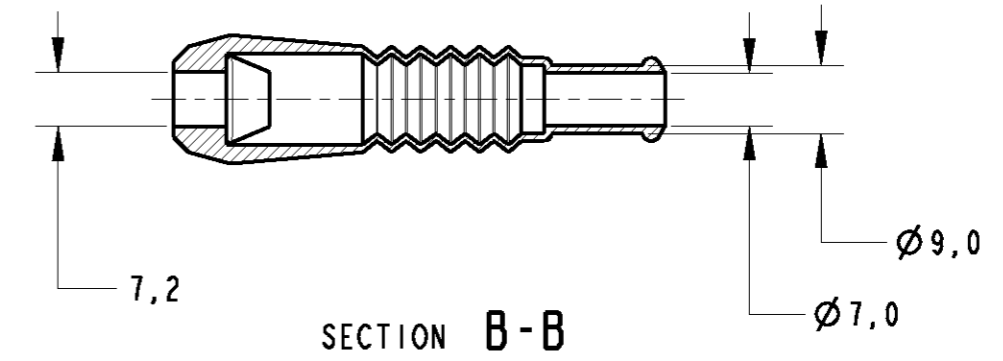
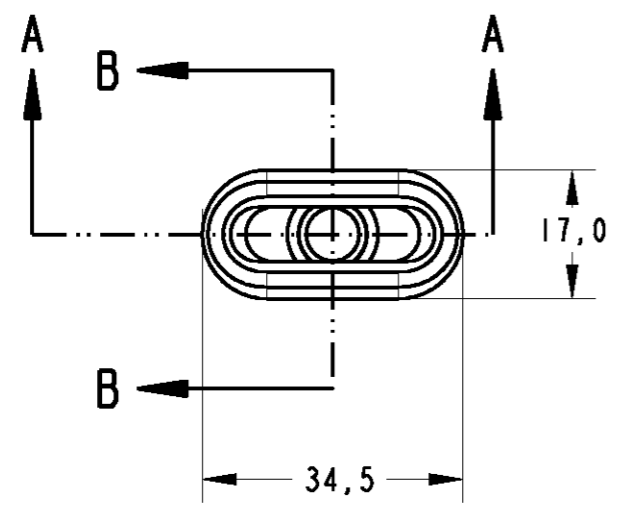


THIS DRAWING IS UNPUBLISHED. RELEASED FOR PUBLICATION  
 © COPYRIGHT BY ALL RIGHTS RESERVED.

LOC	DIST	REVISIONS			
P	LTR	DESCRIPTION	DATE	DWN	APVD
AP	-	A1	REVISED PER ECO-11-005139	19MAR11	RK HMR

**CAD**  
 Pro-E  
 DO NOT REVISE  
 EXCEPT BY CAD



PERSPECTIVE VIEW

- Ⓐ 1 - ELASTÔMERO SAE J 200 M 2BC 514, A14, B14, C12, E014, F17  
 - ELASTOMER SAE J 200 M 2BC 521, A14, B14, C12, E014, F17
- Ⓐ 2 - TOLERÂNCIA PARA REBARBAS / FLASH TOLERANCE:  
 COMPRIMENTO EXTERNO / OUTSIDE HEIGHT - 0,4mm MAX.  
 COMPRIMENTO INTERNO / INSIDE HEIGHT - 0,05mm MAX.
- Ⓐ 3 - USADO NO CONECTOR 282106-1, OU SIMILAR  
 - USED ON CONNECTOR 282106-1, OR SIMILAR

—	PRETO/BLACK	Ⓐ 1	493581-1
RAW MAT'L NO.	FINISH	MATERIAL	PART NUMBER

DIMENSIONS: mm		TOLERANCES UNLESS OTHERWISE SPECIFIED: 0 PLC ± 1 PLC ±0,5 2 PLC ± 3 PLC ± 4 PLC ± ANGLES ±1°		DWN A. PERUSSI 03SEP98	TE Connectivity <b>BOOT 4 POSN HSG</b>	
MATERIAL SEE TABLE		FINISH SEE TABLE		CHK P.L.FARIA		NAME
CUSTOMER DRAWING		SCALE		APVD J.M.M.NETO		RESTRICTED TO
				PRODUCT SPEC -	SIZE A3	
				APPLICATION SPEC -	CAGE CODE 00779	
				WEIGHT -	DRAWING NO. 493581	
					SHEET OF	
					REV A1	