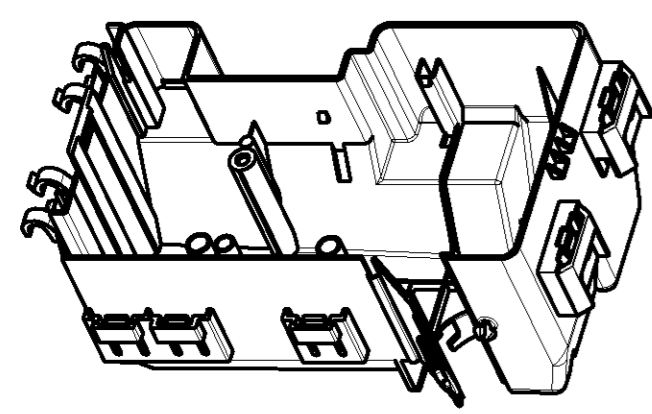
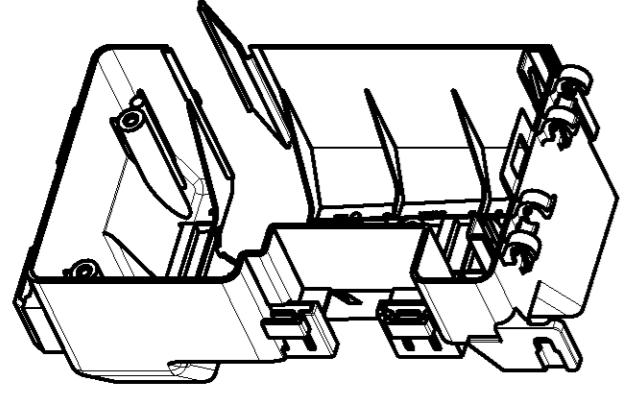
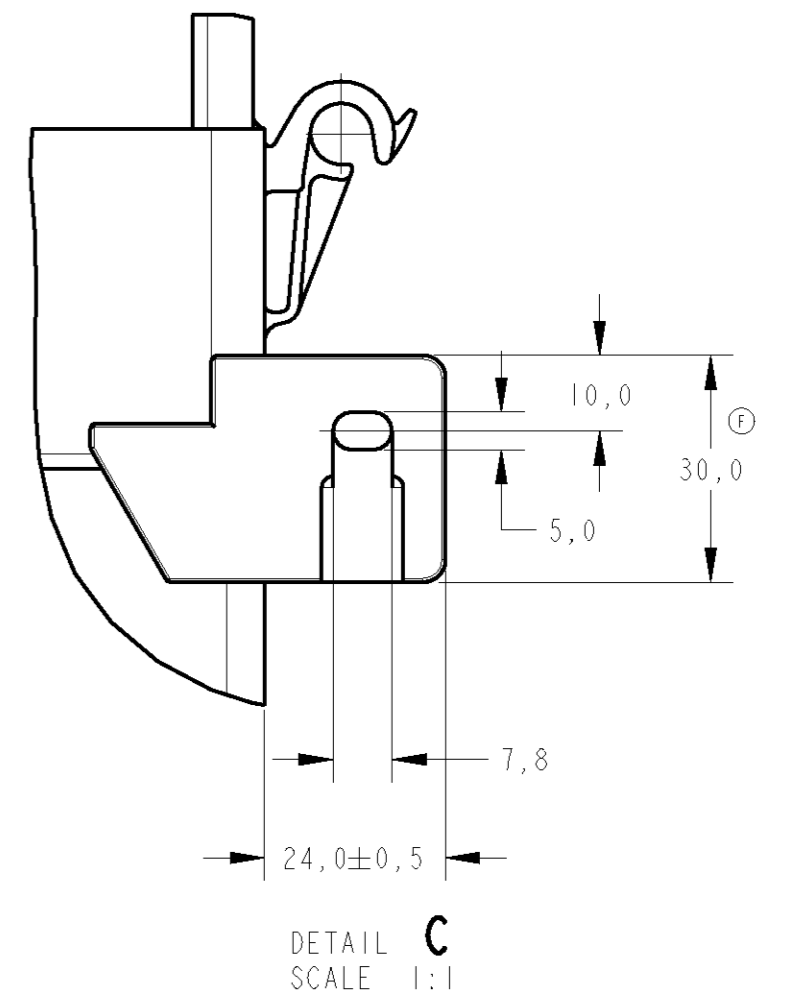
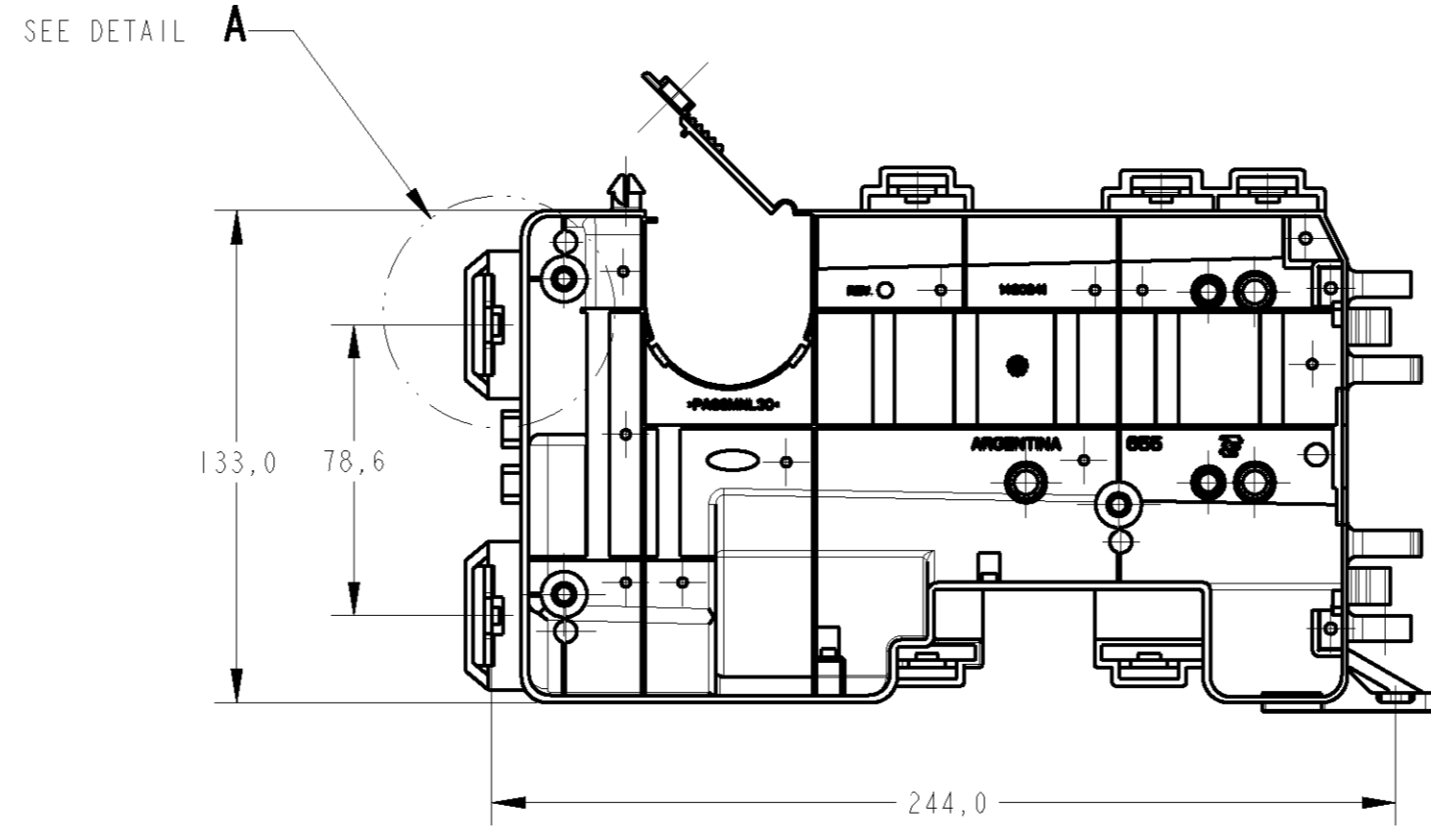
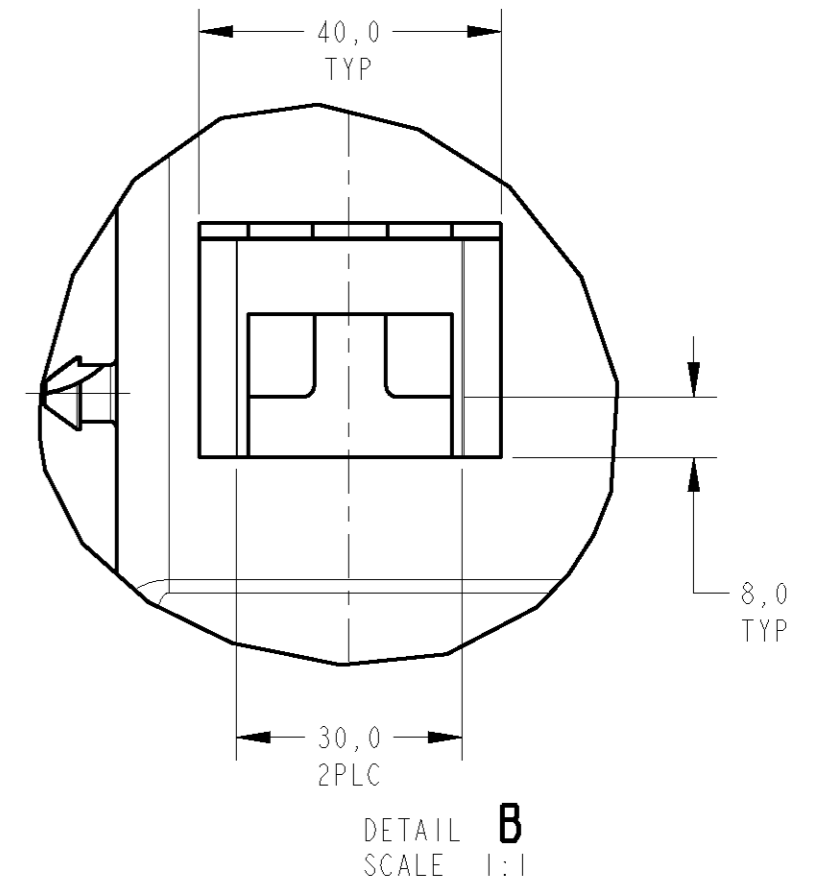
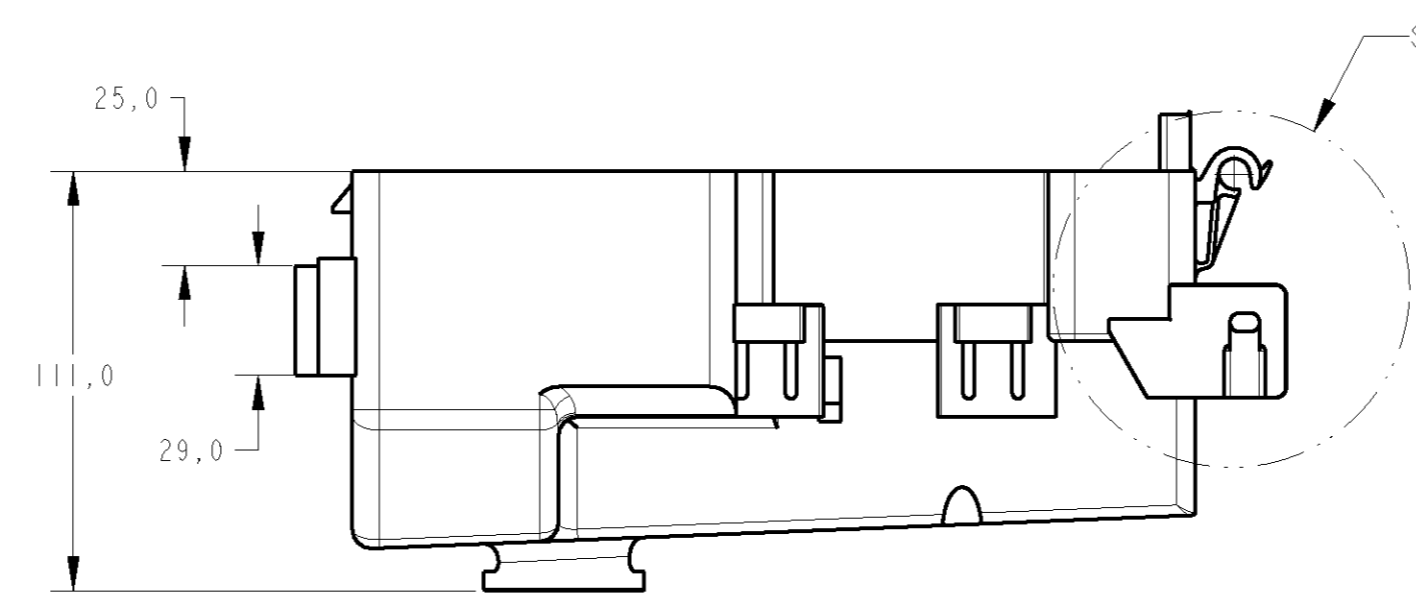
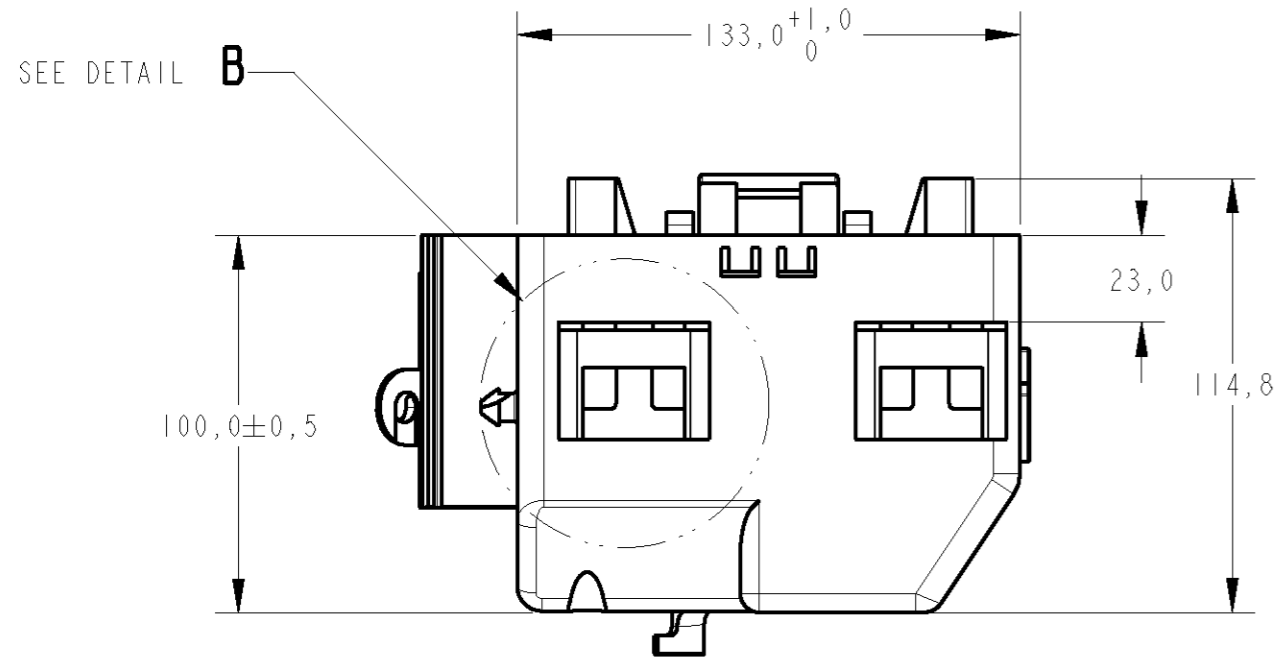


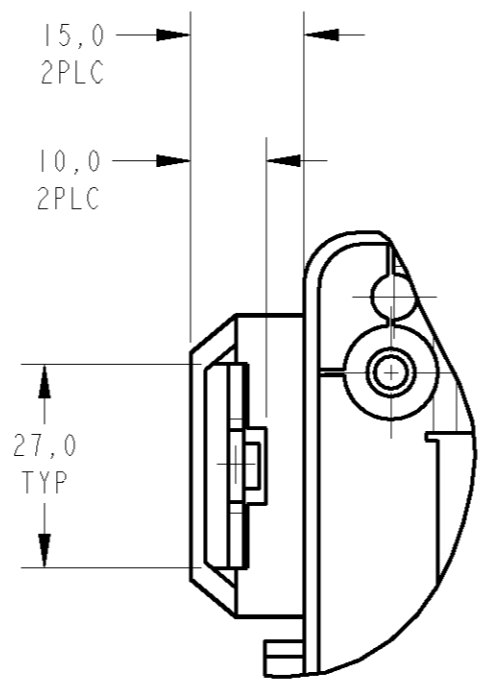
THIS DRAWING IS UNPUBLISHED. RELEASED FOR PUBLICATION 20  
 © COPYRIGHT 20 BY TYCO ELECTRONICS CORPORATION. ALL RIGHTS RESERVED.

LOC	DIST	REVISIONS			
P	LTR	DESCRIPTION	DATE	DWN	APVD
AP	-				
G		REVISED BY ECO-07-024669	19OCT2007	NCL	MR
G1		REVISED BY ECO-08-018966	06AUG2008	EGS	PLF
G2		REVISED BY ECO-09-015132	26JUN2009	RKTL	GO

**CAD**  
**DO NOT REVISE**  
**EXCEPT BY CAD**



PERSPECTIVE VIEW  
 SCALE 3:10



DETAIL A  
 SCALE 1:1

THIS DRAWING IS A CONTROLLED DOCUMENT FOR TYCO ELECTRONICS CORPORATION. IT IS SUBJECT TO CHANGE AND THE CONTROLLING ENGINEERING ORGANIZATION SHOULD BE CONTACTED FOR THE LATEST REVISION.

DIMENSIONS:	TOLERANCES UNLESS OTHERWISE SPECIFIED:
mm	0 PLC ±
	1 PLC ±0.3
	2 PLC ±
	3 PLC ±
	4 PLC ±
ANGLES	±1
FINISH	SEE TABLE
MATERIAL	SEE TABLE

PRETO/BLACK	PA 66+30% MNL	1480841-1		
<b>FINISH</b>	<b>MATERIAL</b>	<b>PART NUMBER</b>		
DWN 20SEP2002 E. J. G. SILVA	TYCO ELECTRONICS do Brasil LTDA. São Paulo, Brasil	COVER LOWER PART		
CHK 20SEP2002 P. L. FARIA				
APVD 20SEP2002 D. OLIVEIRA				
PRODUCT SPEC NA				
APPLICATION SPEC NA	SIZE A2	CAGE CODE 00779	DRAWING NO. C-1480841	RESTRICTED TO
WEIGHT -	SCALE 1:2	SHEET 1	OF 1	REV G2
CUSTOMER DRAWING				