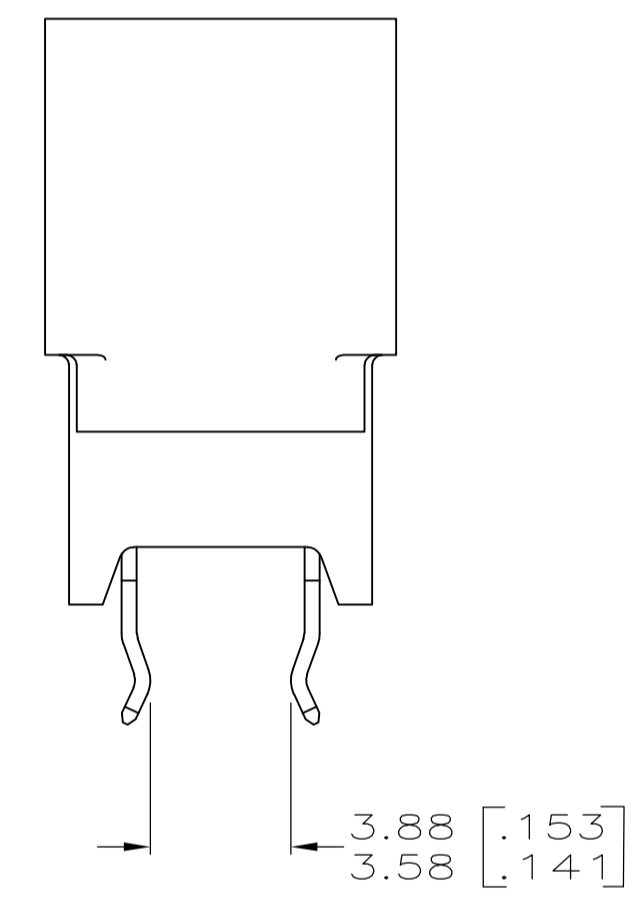
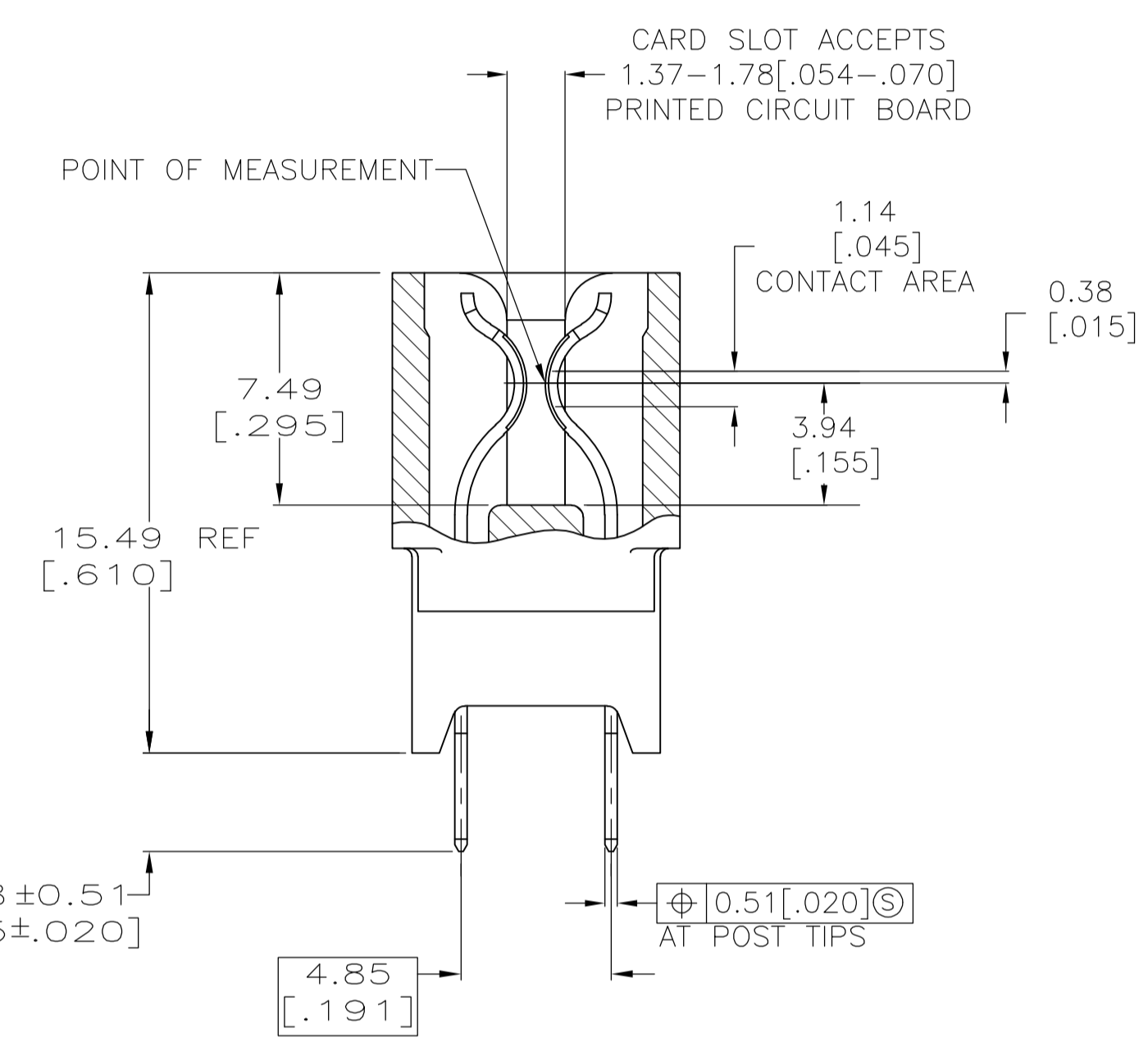
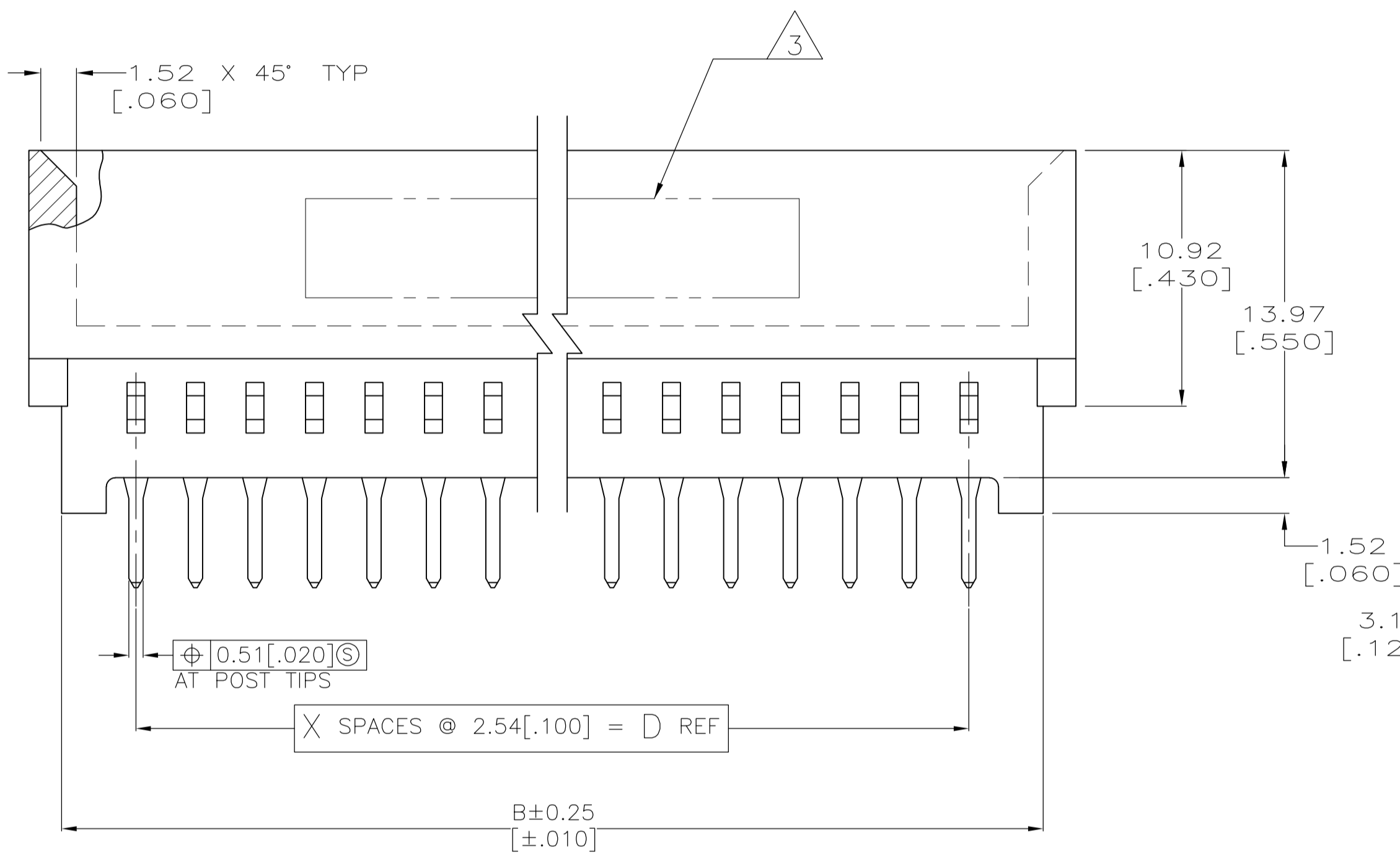
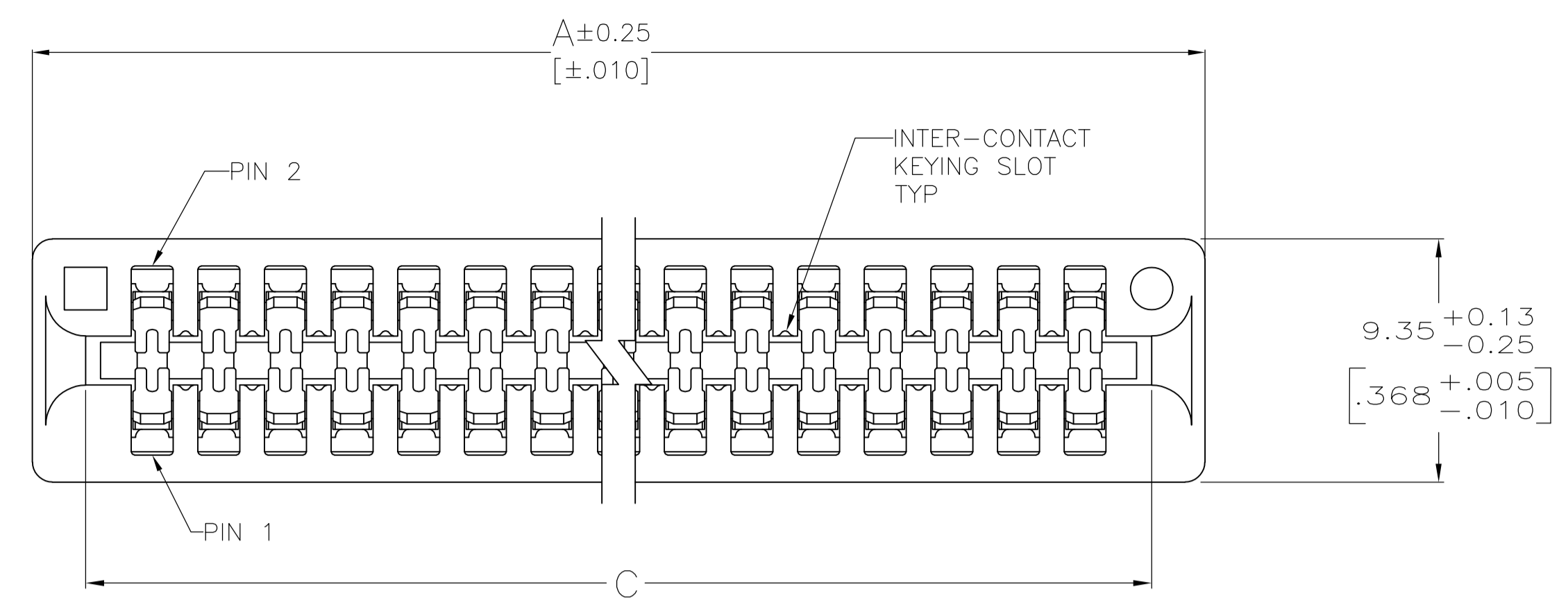


LOC		DIST		REVISIONS			
P	LTR	DESCRIPTION	DATE	DN	APVD		
C		ECO-07-029491	29FEB2008	LAM	AWF		
C1		REVISED PER ECO-09-024927	10NOV09	KK	AEG		



BOARD RETENTION FEATURE
(SEE TABLE FOR LOCATION)

- MATERIAL:
HOUSING: GLASS FILLED POLYESTER; COLOR: BLACK.
CONTACT: PHOS BRONZE
- FINISH:
0.00076[.000030] MIN GOLD PLATE IN CONTACT AREA,
0.00254[.000100] MIN MATTE TIN ON SOLDER POSTS, ALL
OVER 0.00127[.000050] MIN NICKEL
- AMP LOGO, TE PART NUMBER, DATE CODE AND CSA LOGO INK
STAMPED WHITE (HOT STAMPED OR LAZER PRINTED) IN THE APPROXIMATE
AREA SHOWN, EITHER SIDE PERMISSABLE, WHEN HOUSING SIZE PERMITS
- RECOMMENDED PCB FINISHED HOLE DIAMETER = 1.02±0.08
[.040±.003]
- THE RETENTIVE FEATURE OF THIS CONNECTOR IS DESIGNED FOR
FULL SEATING IN 1.57±0.20[.062±.008] THICK CIRCUIT BOARDS.
FOR APPLICATIONS IN BOARDS OF OTHER THICKNESSES, CONTACT
TYCO ELECTRONICS
- OBsolete PARTS: OBsolete CIS STREAMLINING PER D.RENAUD/D.SINISI

OBsolete	2-5645235-1
OBsolete	1-5645235-7
OBsolete	1-5645235-3

PART NUMBER

OBsolete	3-6, 55-58, 63-66, 115-118	149.86 [5.900]	154.94 [6.100]	156.21 [6.150]	159.00 [6.260]	59	60	1-5645235-8				
	3-6, 65-68	86.36 [3.400]	91.44 [3.600]	92.71 [3.650]	95.50 [3.760]	34	35	1-5645235-1				
	3-6, 35-38	53.34 [2.100]	58.42 [2.300]	59.69 [2.350]	62.48 [2.460]	21	22	5645235-7				
	3-6, 31-34	43.18 [1.700]	48.26 [1.900]	49.53 [1.950]	52.32 [2.060]	17	18	5645235-4				
	3-6, 49-52, 95-98	124.46 [4.900]	129.54 [5.100]	130.81 [5.150]	133.60 [5.260]	49	50	5645235-3				
	3-6, 29-32 OR 31-34, 57-60	76.20 [3.000]	81.28 [3.200]	82.55 [3.250]	85.34 [3.360]	30	31	5645235-1				
	BOARD RETENTION FEATURE LOCATION					D	C	B	A	X	NO OF POSN	PART NUMBER

THIS DRAWING IS A CONTROLLED DOCUMENT.

DIMENSIONS: mm	TOLERANCES UNLESS OTHERWISE SPECIFIED:	DRAWING NO: 108-9039	DATE: 29FEB2008
0 PLC ± -	1 PLC ± -	2 PLC ± 0.13 [.005]	3 PLC ± -
4 PLC ± -	ANGLES ± °	SIZE: A1	SCALE: 5:1
MATERIAL: SEE NOTE 1	FINISH: SEE NOTE 2	WEIGHT: -	RESTRICTED TO: -

AWF/L.A.MAYER
A.W.FRANTUM
S.FLICKINGER

Tyco Electronics Corporation
Harrisburg, Pa 17105-3608

CONNECTOR ASSEMBLY,
STANDARD EDGE II,
2.54 [.100] CENTERLINE

114-13018
00779
5645235

CUSTOMER DRAWING