

Honeywell

28 VOLT
LIQUID LEVEL SENSOR

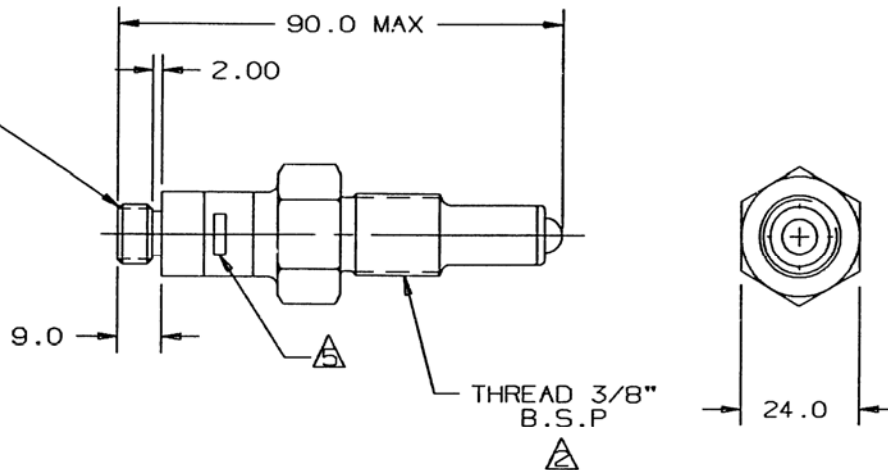
CATALOGUE LISTING

LLN CHART 1

CONNECTOR WIRING CODES

PIN	WIRE COLOUR	CONNECTION
4	BLACK	OUTPUT
1	BROWN	SUPPLY (V _{CC})
3	BLUE	GROUND

THREADED
M12x1x8G



LLN CHART 1

REPLACES

M

DRAWING NUMBER

RELEASE NUMBER MS-11740

ISSUE 1

REVISIONS

ORDER

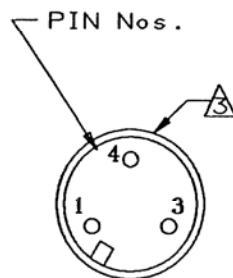
PHASE

DRAWN DL

8.7.92

LLN865172

	-1	-2	-4	-5	-6	-7
SUPPLY VOLTAGE MAX.	-40°C TO 125°C : 40V					
SUPPLY VOLTAGE MIN.	-40°C TO 125°C : 12V					
SUPPLY CURRENT MAX.	60mA					
OUTPUT SINK CURRENT	200mA MAX					
OUTPUT AIR OUTPUT LIQUID	HI:40V MAX LO:<1.0V	LO:<1.0V HI:40V MAX	HI:40V MAX LO:<1.0V	LO:<1.0V HI:40V MAX	HI:40V MAX LO:<1.0V	LO:<1.0V HI:40V MAX
ORIENTATION	THROUGH VERTICAL WALL OR BOTTOM OF VESSEL					
PRESSURE	AMBIENT					
RESPONSE TIME	1 SEC MAX IN WATER					
OPERATING TEMPERATURE	-40°C TO 125°C					
AMBIENT LIGHT LIMIT (LOW STATE)	20000 LUX SOURCE AT 0.5m					
LED DRIVE CURRENT	35mA	35mA	15mA	15mA	50mA	50mA



NOTES :-

- 1 POLYSULPHONE SENSOR, STAINLESS STEEL HOUSING.
- RECOMMENDED TIGHTENING TORQUE 30Nm.
- 3-PIN CONNECTOR FOR MATING WITH FEMALE CONNECTORS LUMBERG RKT4/3 OR RKWT4 OR BRAD HARRISON M.C. DC4 WIRE.
- 4 AMBIENT LIGHT HAS NO EFFECT ON THE HIGH OUTPUT STATE.
- SELF-ADHESIVE LABEL WITH HONEYWELL LOGO, PART NO. AND DATE CODE.

THE COPYRIGHT OF THIS DRAWING IS THE PROPERTY OF HONEYWELL LTD. THE DRAWING IS SUPPLIED IN CONFIDENCE AND MUST NOT BE USED FOR ANY PURPOSE OTHER THAN THAT FOR WHICH IT IS SUPPLIED.

THIRD ANGLE PROJECTION

MODIFY ON CAD3D SYSTEM ONLY

SCALE :- 1:1