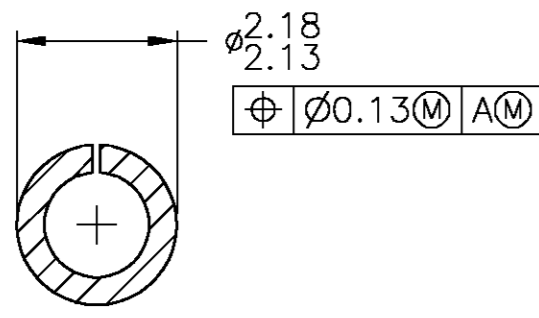
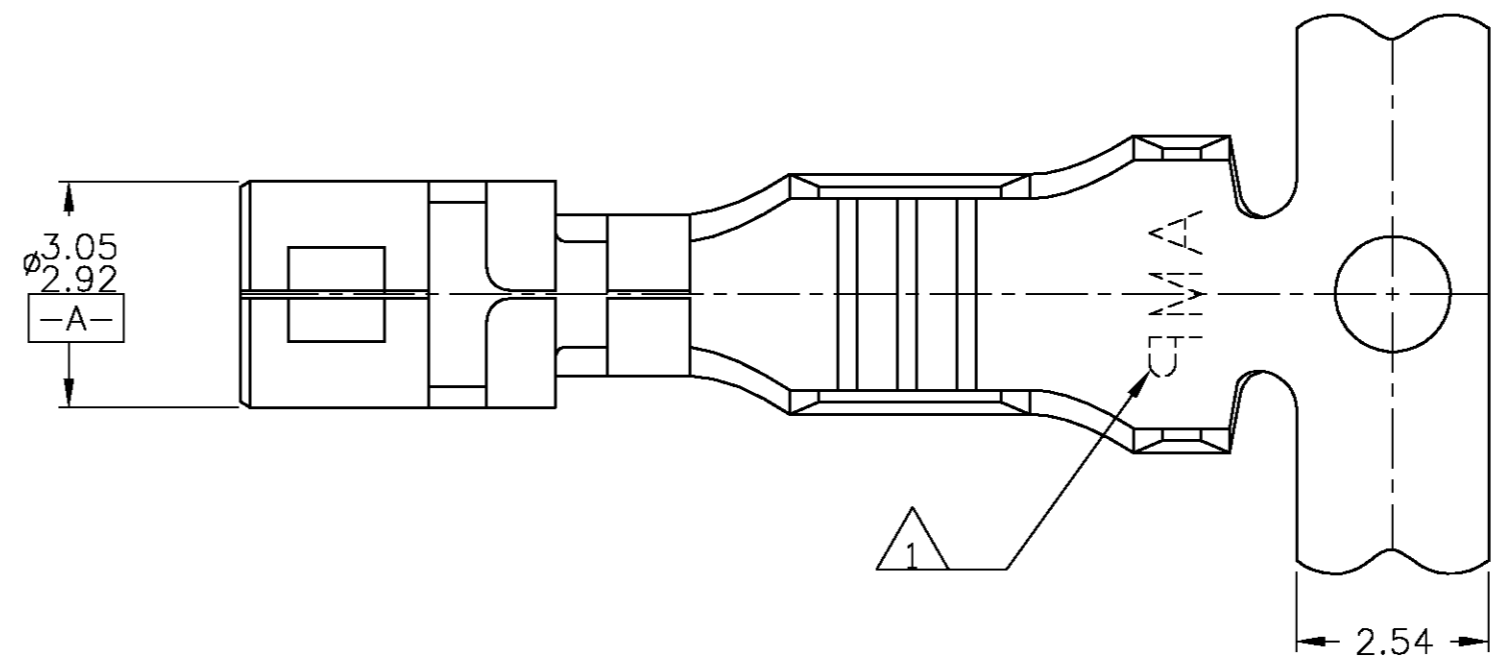
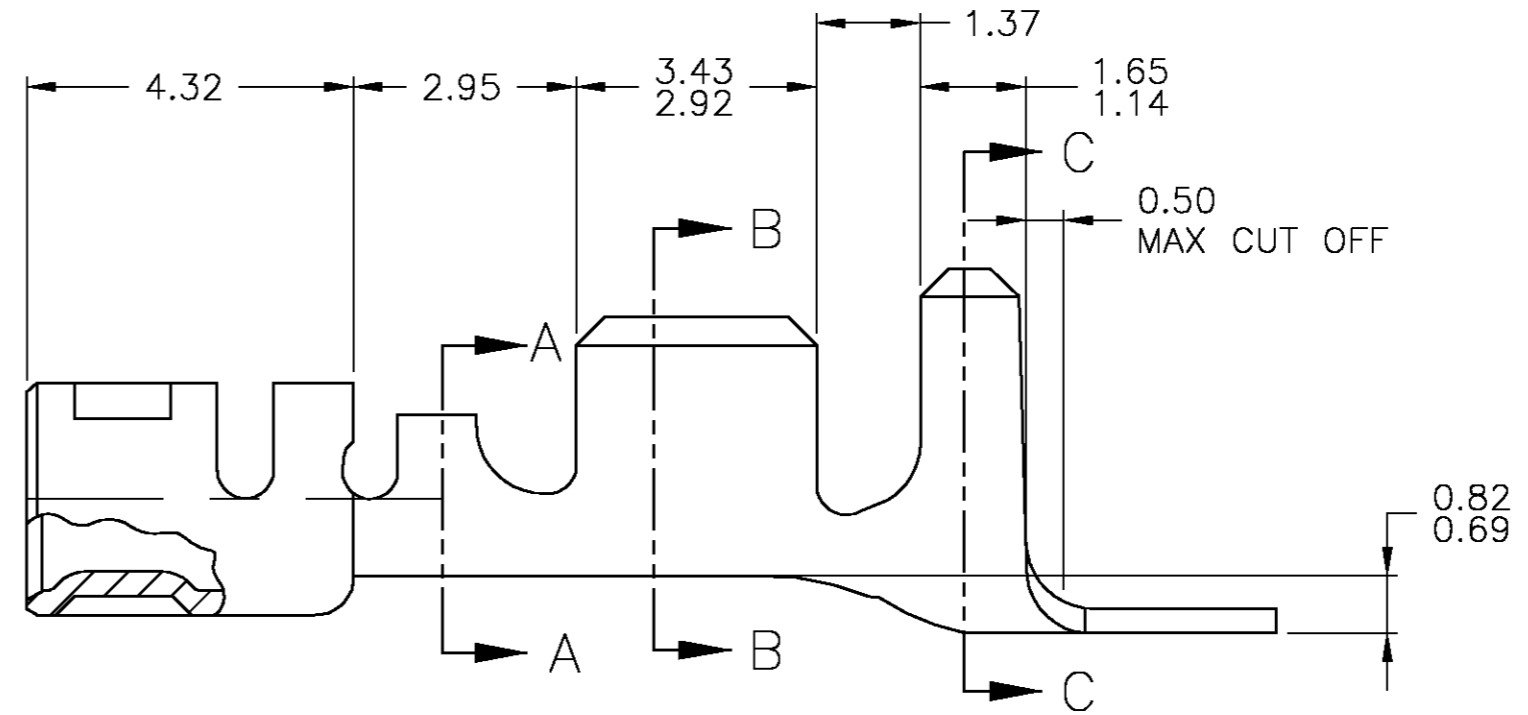
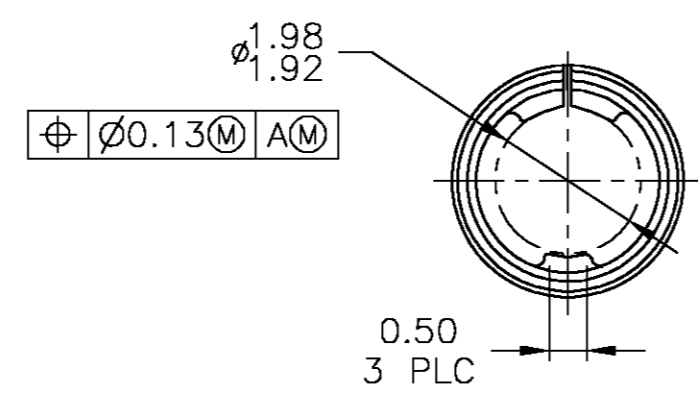


THIS DRAWING IS UNPUBLISHED. RELEASED FOR PUBLICATION
 © COPYRIGHT BY TYCO ELECTRONICS CORPORATION. ALL RIGHTS RESERVED.

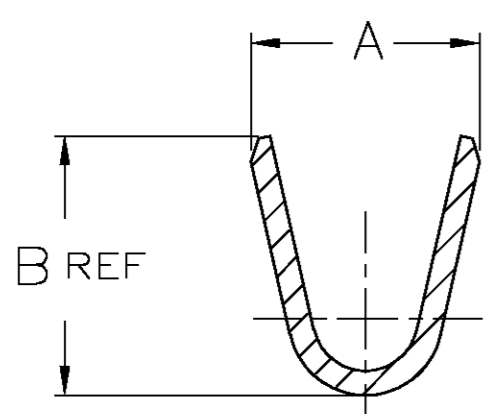
LOC		DIST		REVISIONS			
P	LTR	DESCRIPTION	DATE	DWN	APVD		
GE	00	0	RELEASED	03MAR05	JRB	KLC	



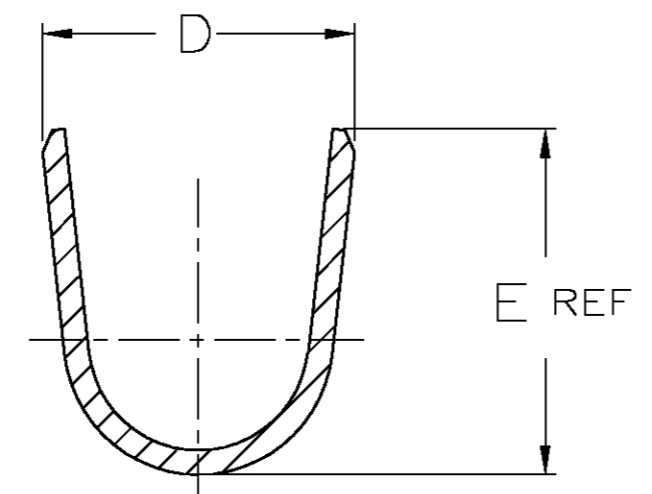
SECTION A-A



- 1 AMP TRADEMARK.
- 2. MATERIAL: PHOS BRONZE
- 3. FINISH: PRE-TIN



SECTION B-B



SECTION C-C

2.67	2.52	4.19	3.51	1.02-2.54	18-22	770444-2
2.29	2.28	3.81	3.25			
3.18	3.48	4.45	4.63	1.52-3.30	14-18	770444-1
2.79	3.22	4.06	4.37			
A	B	D	E	INSULATION RANGE	WIRE RANGE	PART NUMBER

THIS DRAWING IS A CONTROLLED DOCUMENT.

DWN	03 MARCH 2005	Tyco Electronics Corporation Harrisburg, Pa 17105-3608
CHK	JR BUSSARD	
APVD	KL KREIDLER	
PRODUCT SPEC	03MAR05	
NAME	CONTACT SOCKET	
SIZE	A2	RESTRICTED TO
CAGE CODE	00779	
DRAWING NO	C=770444	
SCALE	10:1	
SHEET	1 OF 1	
REV	0	

MATERIAL: - FINISH: - WEIGHT: - CUSTOMER DRAWING