

6

5

4

3

2

1

D

D

C

C

B

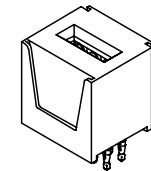
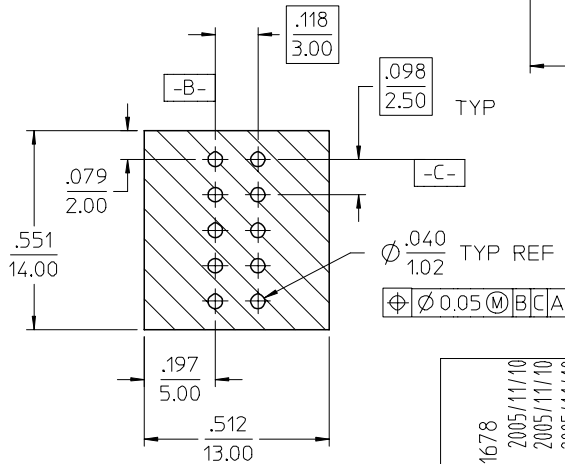
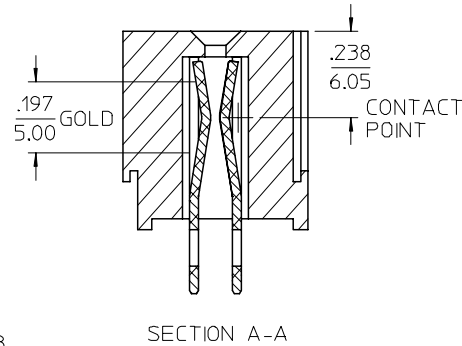
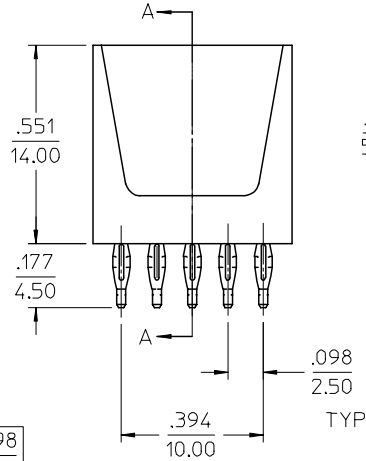
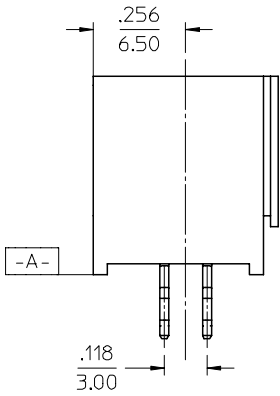
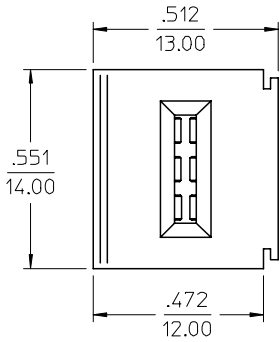
B

A

A

NOTES:

- HOUSING MAT'L: LCP, GLASS FILLED, UL94V-0, COLOR-BLACK
TERMINAL MAT'L: COPPER ALLOY
- FINISH: SELECT GOLD: 30 MI MIN
SELECT TIN: 150 / 250 MI
BOTH OVER NICKEL: 50 MI MIN
GOLD TO BE SPECIFIED THK IN THIS AREA.
- PRODUCT SPECIFICATION: PS-45424-001.
- PACKAGING PER PK-45484-001.
- THIS MODULE INTERLOCKS WITH ALL STANDARD MOLEX POWER DOCK MODULES
- DATUM -A- IS THE CONNECTOR MOUNTING SURFACE
- THE PRIMARY SHIPPING CARTON WILL BE LABELED "COMPLIANT TO RoHS DIRECTIVE 2000/95/EC AND ELV ANNEX II OF DIRECTIVE 2000/53/EC". CARTONS WITHOUT THIS LABEL MAY CONTAIN PRODUCT WITH TIN/LEAD PLATING.
- PCB HOLE SIZE: SEE PS-45424-001.



PCB LAYOUT: COMPONENT SIDE
 PCB TOLERANCE: ±002/0.05
 PCB THKNESS: .093/2.36 MIN

EC NO: UCP2005-1678	DESCRIPTION
DRWN:KSAMIEC 2005/11/10	
CHKD: 2005/11/10	
APPR:APATEL 2005/11/10	
REV B	

GENERAL TOLERANCES (UNLESS SPECIFIED)		DIMENSION STYLE IN/MM	
	mm		INCH
4 PLACES	± ---	DRAWN BY	DATE
3 PLACES	± ---	SCHAFER	2005/2/8
2 PLACES	± 0.15	CHECKED BY	DATE
1 PLACE	± 0.25	SAMIEC	2005/2/9
ANGULAR ± 1/2°		APPROVED BY	DATE
DRAFT WHERE APPLICABLE MUST REMAIN WITHIN DIMENSIONS		MARGULIS	2005/2/10
		MATERIAL NO.	45524-0001
		SIZE	A

SCALE	2:1	DESIGN UNITS	METRIC	THIRD ANGLE PROJECTION
TITLE		POWER DOCK MODULE POWER SOCKET 600V VERT STD CPI		
MATERIAL NO.		45524-0001		
DOCUMENT NO.		SD-45524-001		
SHEET NO.		1 OF 1		

MOLEX INCORPORATED	
THIS DRAWING CONTAINS INFORMATION THAT IS PROPRIETARY TO MOLEX INCORPORATED AND SHOULD NOT BE USED WITHOUT WRITTEN PERMISSION	

5

4

3

2

1