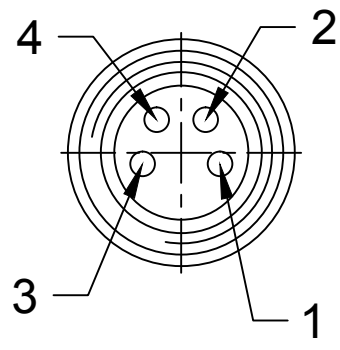
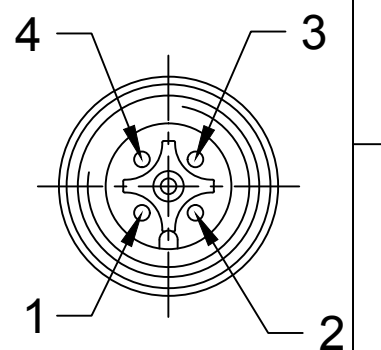


**FEMALE
4 POLE**

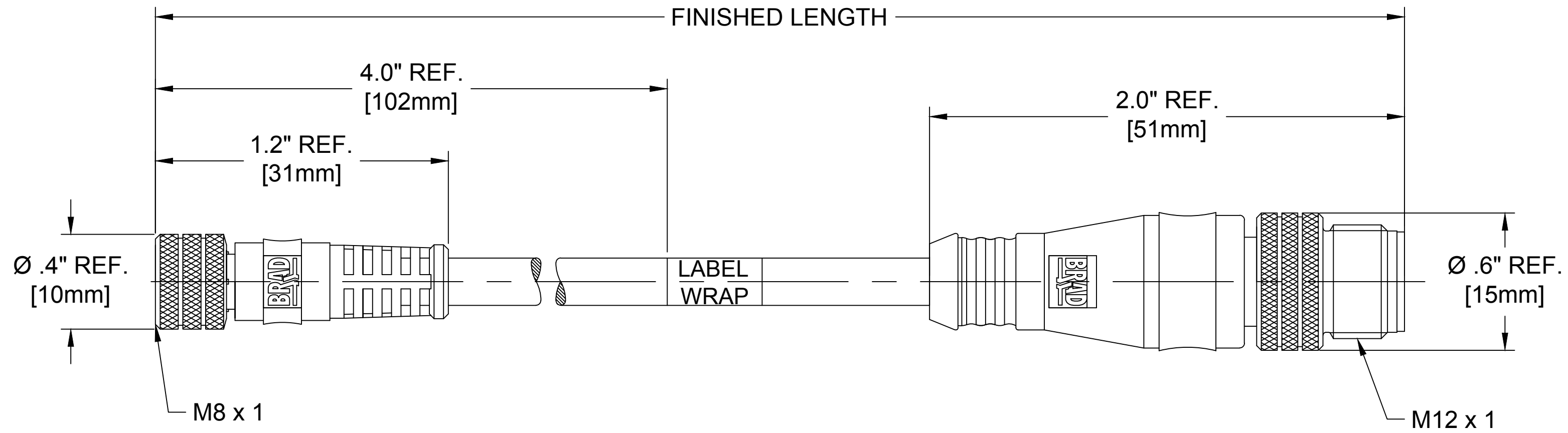


- 1 BROWN
- 2 WHITE
- 3 BLUE
- 4 BLACK

**MALE
4 POLE**



- 1 BROWN
- 2 WHITE
- 3 BLUE
- 4 BLACK



484030K05M050

cable type
4 x 0.34 mm²
YELLOW TPE

cable length
050----5 Meters
500----50 Meters

SPECIFICATION DATA

COMPONENT	MATERIAL	FINISH
LABEL	MYLAR	BLACK/YELLOW
COUPLER	BRASS	NICKEL PLATED
CONTACT	COPPER ALLOY	Au OVER Ni
INSERT	PUR	BLACK
OVERMOLD	TPE	YELLOW
CABLE	TPE	YELLOW
VOLTAGE RATING:		60V AC/75V DC
AMPERAGE RATING:		4A
PROTECTION CLASS:		IP 67
OPERATING TEMPERATURE:		-40°C / 105°C

UPDATED MALE END VIEW EC NO: IPG2016-0921 DRWN: GGUSTAFS 2015/12/17 CHKD: BARDEN 2016/01/20 APPR: BWOODMAN2013/12/02	QUALITY SYMBOL	GENERAL TOLERANCES (UNLESS SPECIFIED)	DIMENSION STYLE	SCALE	DESIGN UNITS	THIRD ANGLE PROJECTION
	▽=0 ▽=0	mm INCH 4 PLACES ±--- ±--- 3 PLACES ±--- ±.005 2 PLACES ±.13 ±.010 1 PLACE ±.25 ±.020	IN/MM	NTS	INCH	
		ANGULAR ±1/2°	DRAWN BY DATE	TITLE		
		DRAFT WHERE APPLICABLE MUST REMAIN WITHIN DIMENSIONS	GGUSTAFS 2013/10/09	NANO CHANGE MIRCO CHANGE 4 POLE FEMALE/MALE ST/ST #22 TPE		
			CHECKED BY DATE	MOLEX INCORPORATED		
		BARDEN 2013/11/20	SD-120086-058			
		APPROVED BY DATE	SHEET NO.			
		BWOODMAN 2013/12/02	1 OF 1			
		MATERIAL NO.	THIS DRAWING CONTAINS INFORMATION THAT IS PROPRIETARY TO MOLEX INCORPORATED AND SHOULD NOT BE USED WITHOUT WRITTEN PERMISSION			
		SEE CHART				