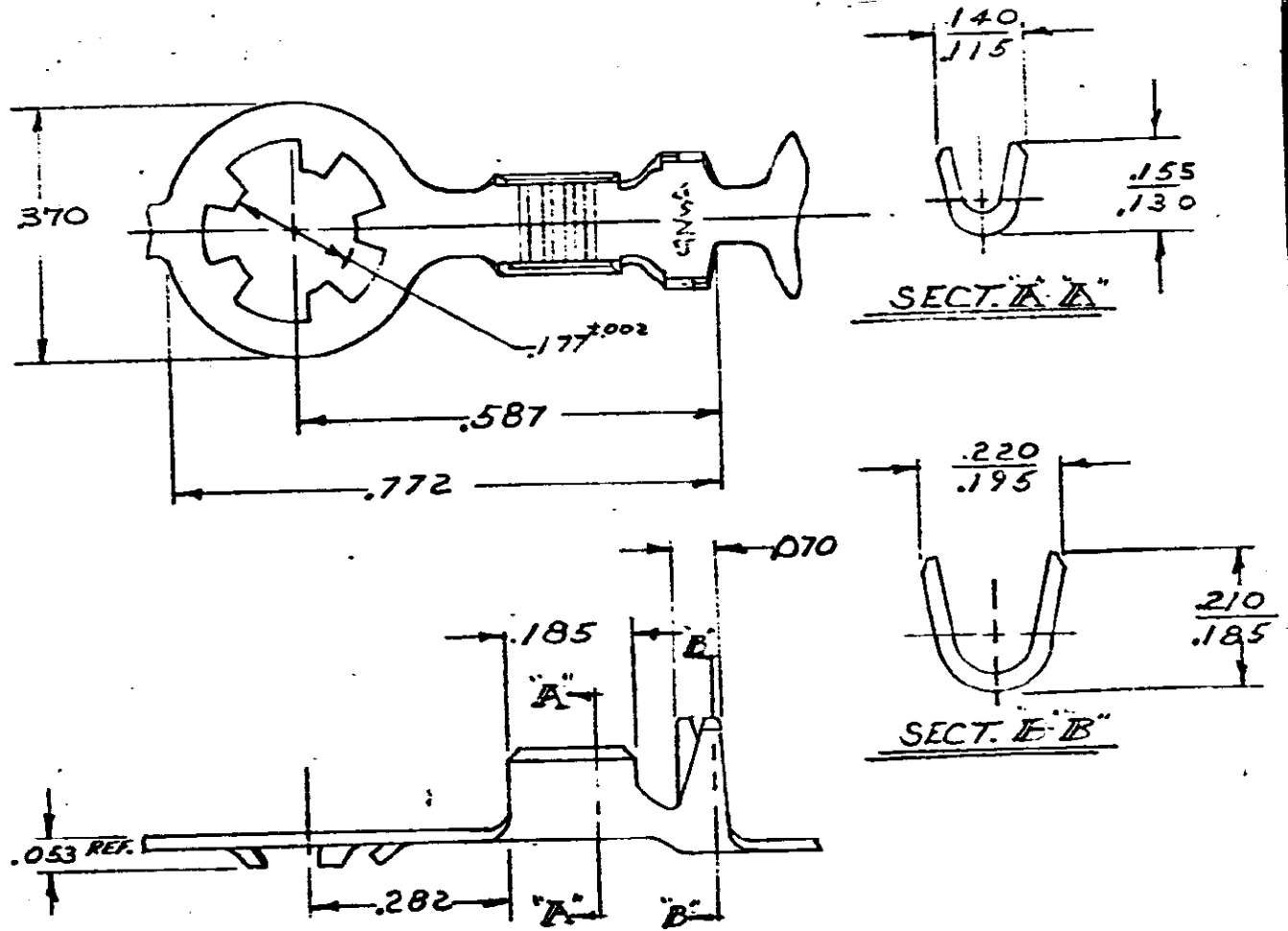


DRAWING MADE IN AMERICAN PROJECTION

NUMBER
350509



CONTINUOUS STRIP, ON REELS

PART NO.
350509-1

DIMENSIONS IN INCHES. DO NOT SCALE PRINT.

UNPUBLISHED COPY NOT TO BE
REPRODUCED NOR PUBLISHED
WITHOUT WRITTEN PERMISSION
AMP INCORPORATED.

© 1973 BY AMP INCORPORATED. ALL RIGHTS
RESERVED. AMP PRODUCTS COVERED BY
PATENTS AND/OR PATENTS PENDING

CUSTOMER COPY
REFERENCE ONLY

MATERIAL AND FINISH
.025 3F488
NONE

AMP

AMP INCORPORATED
HARRISBURG, PENNA.

WIRE — RANGE — INSULATION
#22-16 .105 MAX

CLASS
TYPE

LTR REVISION RECORD ECN OF CHN DATE

TOLERANCE EXCEPT AS NOTED ± .015 ± 1° 0'

LOC A NO 350509 REV A

DR 3-9-73 DE A.E.T. 3-9-73
CHK 2-9-73 APP (Signature)

NAME RING