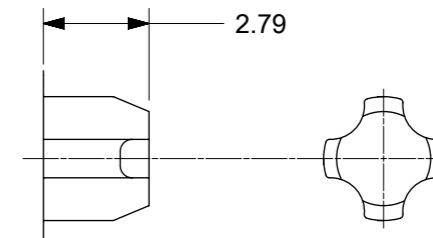


PEG OPTION "A"
SNAP-FIT PEG
SEE NOTE #7
(SCALE NTS)

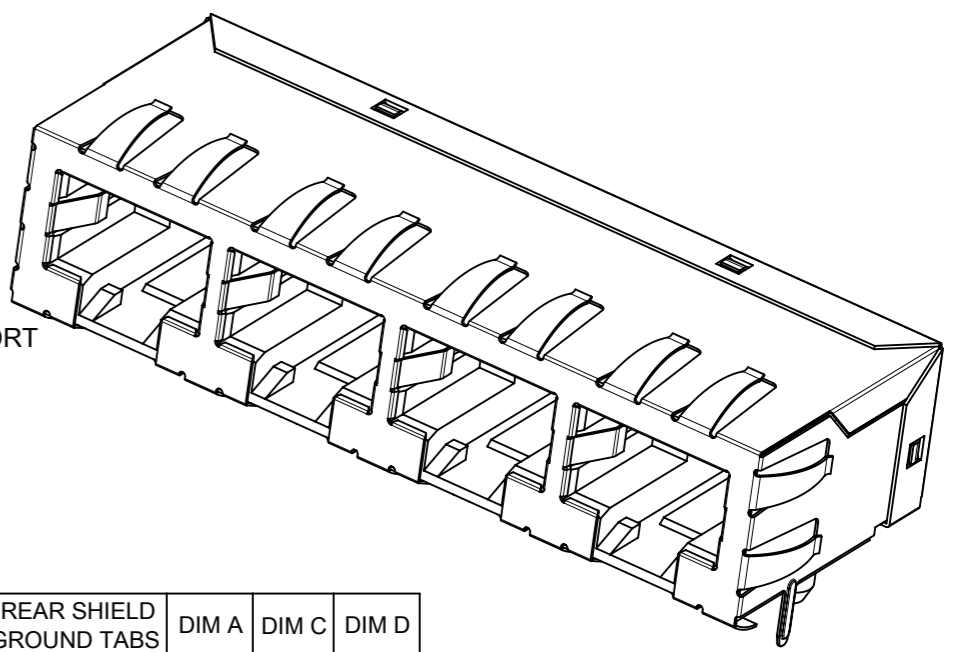
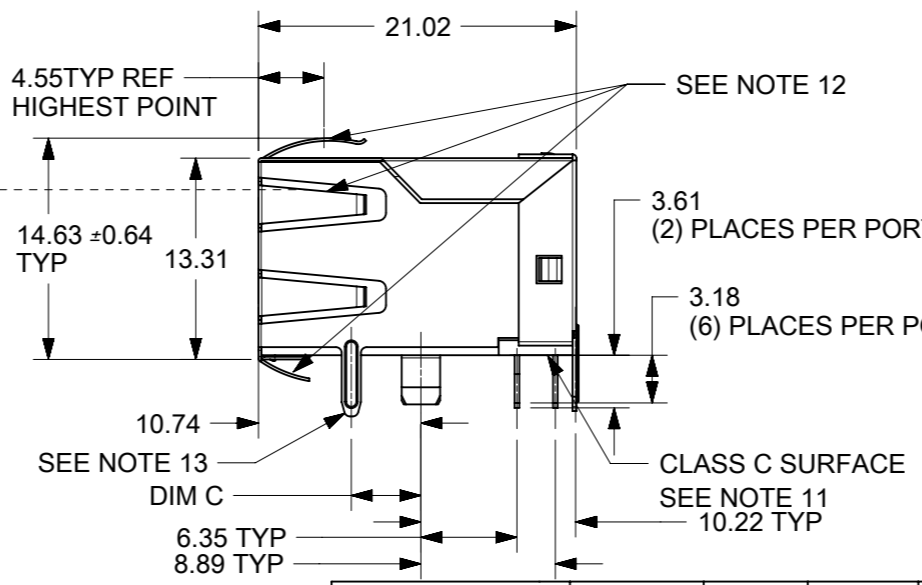
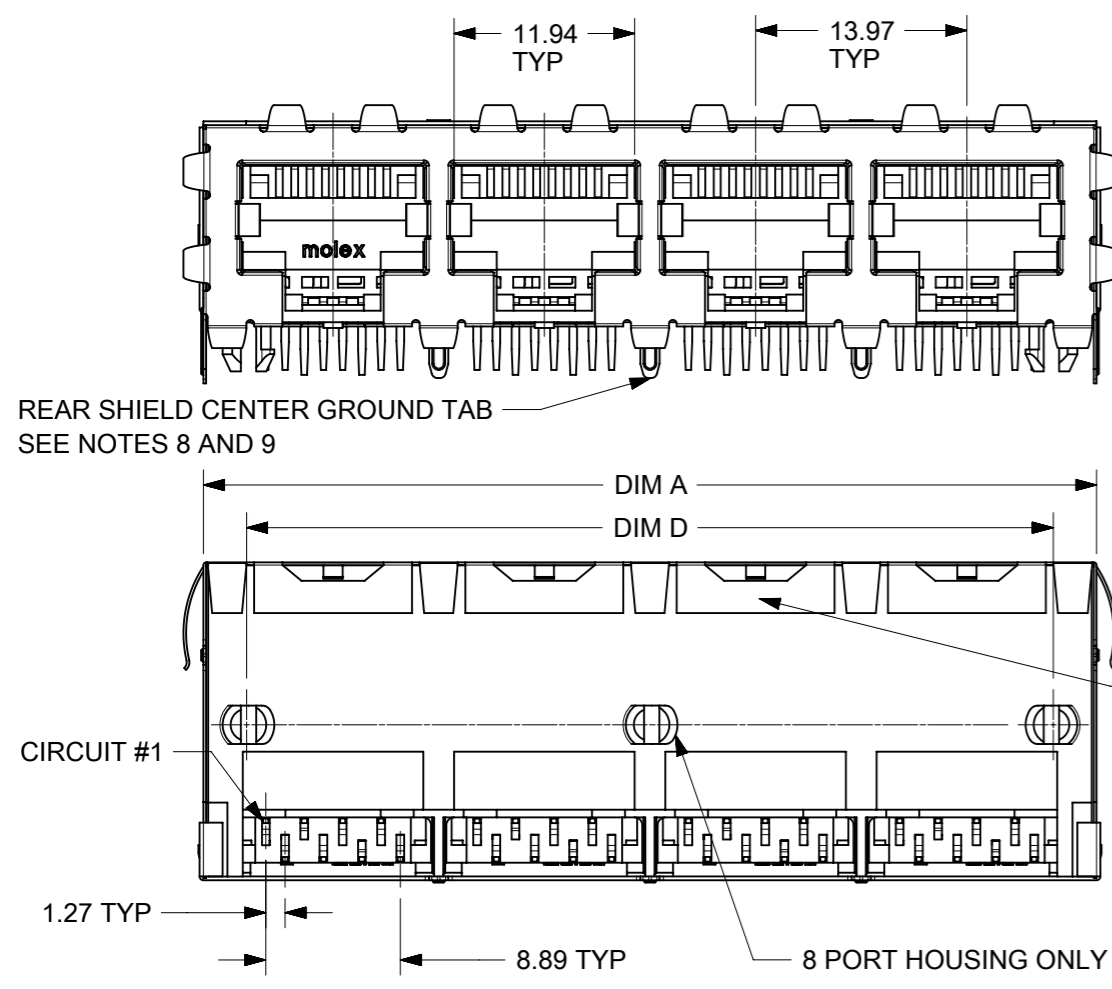


PEG OPTION "B"
PRESS-FIT PEG
SEE NOTE #7
(SCALE NTS)

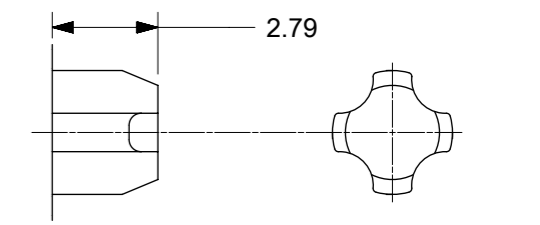
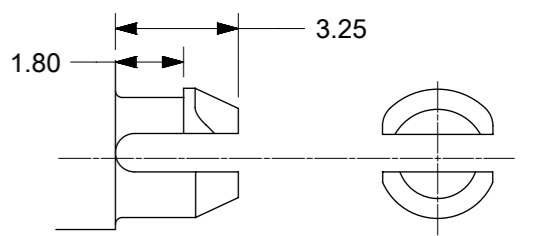
- NOTES:
- MATERIAL:
HOUSING: NYLON, GLASS FILLED, UL94V-0, COLOR: BLACK
TERMINALS: PHOSPHOR BRONZE
 - FINISH:
TERMINALS:
SELECT GOLD IN CONTACT AREA: 50 MICROINCHES / 1.27 MICROMETERS MIN.,
SELECT MATTE TIN IN PC TAIL AREA: 100 MICROINCHES / 2.54 MICROMETERS MIN.,
WITH OVERALL NICKEL UNDERPLATE: 50 MICROINCHES / 1.27 MICROMETERS MIN.
 - PRODUCT SPECIFICATION: PS-44050-003.
 - PACKAGING SPECIFICATION:
UNSHIELDED CONNECTOR ASSEMBLIES IN THERMOFORMED TRAYS PER MOLEX
PACKAGING SPECIFICATION PK-44150-005.
 - MATES WITH: MODULAR PLUGS THAT CONFORM TO FCC REGULATION PART 68.5.
 - PC BOARD LAYOUTS AND PANEL CUT-OUT SHOWN ON PAGE (3) OF (3).
 - CONNECTOR AVAILABLE WITH EITHER PEG OPTION "A" (SNAP-FIT) OR
PEG OPTION "B" (PRESS-FIT). THIS DRAWING SHOWS PEG OPTION "A".
 - TERMINAL LENGTHS MAY BE DIFFERENT FROM TERMINAL TO TERMINAL.
 - THIS PART CONFORMS TO CLASS B REQUIREMENTS OF COSMETIC
SPECIFICATION PS-45499-002 WITH THE EXCEPTION OF THE SURFACE
INDICATED WHICH IS A CLASS C SURFACE.

"X"=NOT TOOLED	ASSEMBLY MATERIAL NUMBER	NUMBER OF PORTS	PEG OPTION	CENTER PEG	DIM A	DIM D
	441500001	2	A	NO	30.48	25.40
	441500017	2	B	NO	30.48	25.40
x	441500002	4	A	NO	58.42	53.34
x	441500018	4	B	NO	58.42	53.34
x	441500003	6	A	NO	86.36	81.28
x	441500019	6	B	NO	86.36	81.28
x	441500004	8	A	YES	114.30	109.22
x	441500020	8	B	YES	114.30	109.22

QUALITY SYMBOLS 	THIS DRAWING CONTAINS INFORMATION THAT IS PROPRIETARY TO MOLEX ELECTRONIC TECHNOLOGIES, LLC AND SHOULD NOT BE USED WITHOUT WRITTEN PERMISSION										
	MIGRATED & REDRAWN EC NO: 167139 DRWN: AFENG02 CHK'D: AFENG02 APPR: KLANG	GENERAL TOLERANCES (UNLESS SPECIFIED) ANGULAR TOL ± 0.5 ° 4 PLACES ± 3 PLACES ± 2 PLACES ± 0.25 1 PLACE ± 0 PLACES ±		DIMENSION UNITS: mm SCALE: 2:1		DRWN BY: AFENG02 DATE: 2017/04/25		 CATEGORY 5 MODULAR JACK ASSEMBLIES, GANGED			
		DRAFT WHERE APPLICABLE MUST REMAIN WITHIN DIMENSIONS		DRAWING SIZE: A3 THIRD ANGLE PROJECTION		CHK'D BY: LKATARZIENE DATE: 2017/04/26					
		PRODUCT CUSTOMER DRAWING		SERIES: 44150 MATERIAL NUMBER: SEE CHART CUSTOMER: GENERAL MARKET		APPR BY: KLANG DATE: 2017/04/26		DOCUMENT NUMBER: SD-44150-002 DOC TYPE: PSD DOC PART: 001 SHEET NUMBER: 1 OF 3			



ASSEMBLY MATERIAL NUMBER	NUMBER OF PORTS	PEG OPTION	CENTER PEG	REAR SHIELD GROUND TABS	DIM A	DIM C	DIM D
441500005	2	A	NO	1	31.12	3.68	25.40
441500011	2	A	NO	1	31.12	4.57	25.40
441500036	2	A	NO	0	31.12	4.57	25.40
441500021	2	B	NO	1	31.12	3.68	25.40
441500027	X	2	B	NO	31.12	4.57	25.40
441500009	X	4	A	NO	59.05	3.68	53.34
441500037	4	A	NO	0	59.05	3.68	53.34
441500015	X	4	A	NO	59.05	4.57	53.34
441500006	4	A	NO	3	59.05	3.68	53.34
441500012	4	A	NO	3	59.05	4.57	53.34
441500025	X	4	B	NO	59.05	3.68	53.34
441500031	X	4	B	NO	59.05	4.57	53.34
441500022	4	B	NO	3	59.05	3.68	53.34
441500028	X	4	B	NO	59.05	4.57	53.34
441500034	X	4	B	NO	59.05	N/A	53.34
441500007	X	6	A	NO	87.00	3.68	81.28
441500013	6	A	NO	5	87.00	4.57	81.28
441500023	X	6	B	NO	87.00	3.68	81.28
441500029	6	B	NO	5	87.00	4.57	81.28
441500010	X	8	A	YES	114.94	3.68	109.22
441500016	X	8	A	YES	114.94	4.57	109.22
441500033	X	8	A	YES	114.94	3.68	109.22
441500008	8	A	YES	7	114.94	3.68	109.22
441500014	X	8	A	YES	114.94	4.57	109.22
441500026	X	8	B	YES	114.94	3.68	109.22
441500032	X	8	B	YES	114.94	4.57	109.22
441500024	X	8	B	YES	114.94	3.68	109.22
441500030	X	8	B	YES	114.94	4.57	109.22



PEG OPTION "A"
SNAP-FIT PEG
SEE NOTE #7
(SCALE NTS)

PEG OPTION "B"
PRESS-FIT PEG
SEE NOTE #7
(SCALE NTS)

- NOTES:
- MATERIAL:
HOUSING: NYLON, GLASS FILLED, UL94V-0, COLOR: BLACK
TERMINALS: PHOSPHOR BRONZE
SHIELD: BRASS
 - FINISH:
TERMINALS:
SELECT GOLD IN CONTACT AREA: 50 MICROINCHES / 1.27 MICROMETERS MIN.,
SELECT MATTE TIN IN PC TAIL AREA: 100 MICROINCHES / 2.54 MICROMETERS MIN.,
WITH OVERALL NICKEL UNDERPLATE: 50 MICROINCHES / 1.27 MICROMETERS MIN.
SHIELD:
100 MICROINCHES / 2.54 MICROMETERS NICKEL OVER 50 MICROINCHES /
1.27 MICROMETERS COPPER UNDERPLATE; PCB GROUND TABS DIPPED IN TIN
 - PRODUCT SPECIFICATION: PS-44050-003.
 - PACKAGING SPECIFICATION:
SHIELDED CONNECTOR ASSEMBLIES IN THERMOFORMED TRAYS PER MOLEX
PACKAGING SPECIFICATION PK-44150-004.
 - MATES WITH: MODULAR PLUGS THAT CONFORM TO FCC REGULATION PART 68.5.
 - PC BOARD LAYOUTS AND PANEL CUT-OUT SHOWN ON PAGE (3) OF (3).
 - CONNECTOR AVAILABLE WITH EITHER PEG OPTION "A" (SNAP-FIT) OR PEG OPTION "B" (PRESS-FIT). THIS DRAWING SHOWS PEG OPTION "A".
 - (4) PORT AND (8) PORT MODJACKS AVAILABLE WITH A SINGLE GROUND TAB ON REAR OF SHIELD, LOCATED IN THE CENTER. PER THE ASSEMBLY MATERIAL NUMBER TABLE.
 - (8) PORT VERSION AVAILABLE WITH (3) GROUND TABS ON REAR OF SHIELD, CENTERED ON THE PART, PER THE ASSEMBLY MATERIAL NUMBER TABLE.
 - TERMINAL LENGTHS MAY BE DIFFERENT FROM TERMINAL TO TERMINAL.
 - THIS PART CONFORMS TO CLASS B REQUIREMENTS OF COSMETIC SPECIFICATION PS-45499-002 WITH THE EXCEPTION OF THE SURFACE INDICATED WHICH IS A CLASS C SURFACE.
 - 441500036 DOES NOT HAVE TOP, SIDE, OR BOTTOM GROUND TABS & HAS SHORTER BOTTOM FLANGES
 - 441500034 DOES NOT HAVE SIDE GROUND TABS
 - 441500037 DOES NOT HAVE BOTTOM GROUND TABS

SEE NOTE 12

SEE NOTE 12

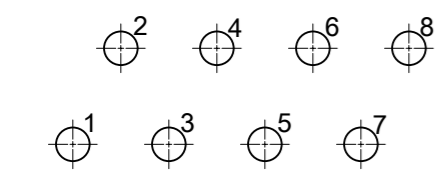
SEE NOTE 14

SEE NOTE 13

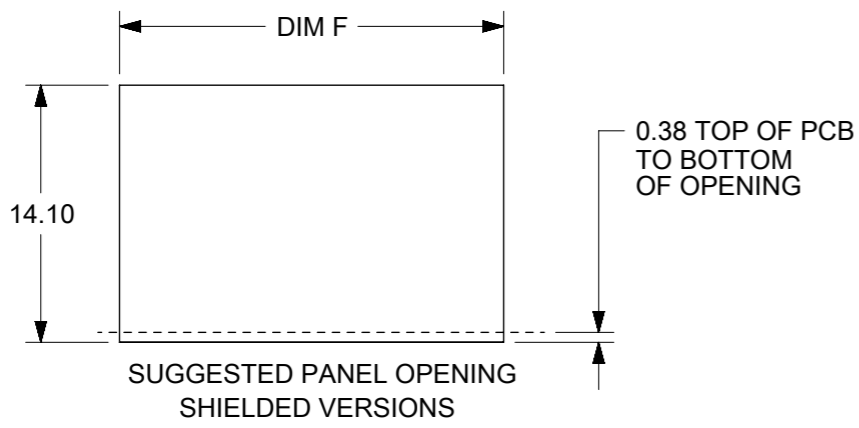
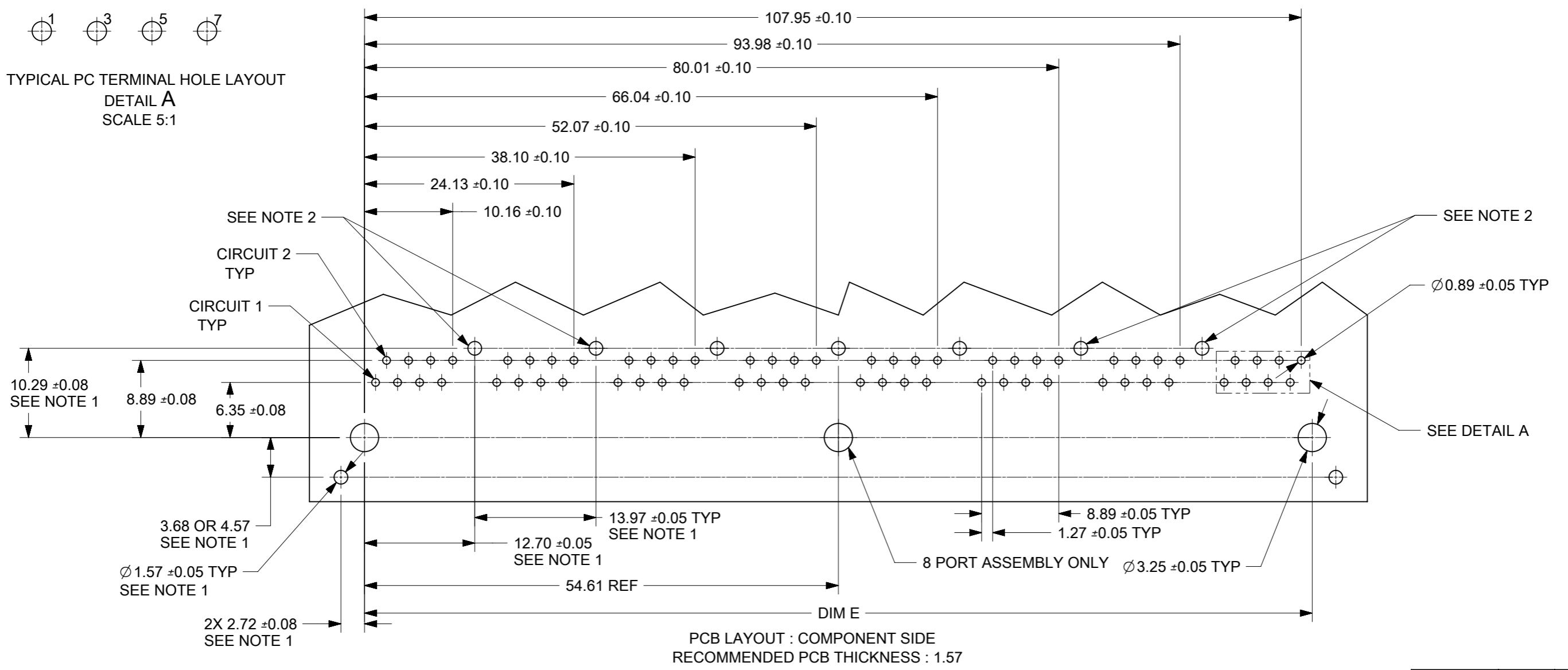
"X" = NOT TOOLED

THIS DRAWING CONTAINS INFORMATION THAT IS PROPRIETARY TO MOLEX ELECTRONIC TECHNOLOGIES, LLC AND SHOULD NOT BE USED WITHOUT WRITTEN PERMISSION

QUALITY SYMBOLS	MIGRATED & REDRAWN	EC NO: 167139	DRWN: AFENG02	CHK'D: AFENG02	APPR: KLANG	GENERAL TOLERANCES (UNLESS SPECIFIED)	DIMENSION UNITS	SCALE	molex®
							mm	2:1	
▽ = 0						ANGULAR TOL ± 0.5 °	DRWN BY	DATE	CATEGORY 5 MODULAR JACK ASSEMBLIES, GANGED
▽ = 0						4 PLACES ±	AFENG02	2017/04/25	
▽ = 0						3 PLACES ±	CHK'D BY	DATE	PRODUCT CUSTOMER DRAWING
▽ = 0						2 PLACES ± 0.25	LKATARZIENE	2017/04/26	
▽ = 0						1 PLACE ±	APPR BY	DATE	SERIES MATERIAL NUMBER CUSTOMER
▽ = 0						0 PLACES ±	KLANG	2017/04/26	
▽ = 0						DRAFT WHERE APPLICABLE MUST REMAIN WITHIN DIMENSIONS	DRAWING SIZE	THIRD ANGLE PROJECTION	44150 SEE CHART GENERAL MARKET
▽ = 0							A3		DOCUMENT NUMBER DOC TYPE DOC PART SHEET NUMBER
									SD-44150-002 PSD 001 2 OF 3



TYPICAL PC TERMINAL HOLE LAYOUT
DETAIL A
SCALE 5:1



SUGGESTED PANEL OPENING
SHIELDED VERSIONS

- NOTES:
1. DIMENSIONS REFER TO SHIELDED ASSEMBLIES ONLY
 2. SHIELD PCB GROUND TAB HOLES SPECIFIED NOT PRESENT FOR 441500033 USAGE

NUMBER OF PORTS	DIM E	DIM F
2	25.40	31.88
4	53.34	59.82
6	81.28	87.86
8	109.22	115.70

THIS DRAWING CONTAINS INFORMATION THAT IS PROPRIETARY TO MOLEX ELECTRONIC TECHNOLOGIES, LLC AND SHOULD NOT BE USED WITHOUT WRITTEN PERMISSION												
QUALITY SYMBOLS ▽ = 0 ▽ = 0 ▽ = 0 ▽ = 0 ▽ = 0 ▽ = 0 ▽ = 0 ▽ = 0 ▽ = 0 ▽ = 0 ▽ = 0	MIGRATED & REDRAWN EC NO: 167139 DRWN: AFENG02 CHK'D: AFENG02 APPR: KLANG	2017/10/23 2017/11/10 2017/11/10	GENERAL TOLERANCES (UNLESS SPECIFIED)		DIMENSION UNITS	SCALE						
			ANGULAR TOL ± 0.5 °		mm	2:1						
			4 PLACES ±	DRWN BY		DATE		CATEGORY 5 MODULAR JACK ASSEMBLIES, GANGED				
			3 PLACES ±	AFENG02		2017/04/25						
			2 PLACES ± 0.25	CHK'D BY		DATE		PRODUCT CUSTOMER DRAWING				
1 PLACE ±	LKATARZIENE		2017/04/26									
0 PLACES ±	APPR BY		DATE		SERIES	MATERIAL NUMBER	CUSTOMER					
DRAFT WHERE APPLICABLE MUST REMAIN WITHIN DIMENSIONS		KLANG		2017/04/26		44150	SEE CHART	GENERAL MARKET				
DRAUGHTING SYMBOLS		DRAWING SIZE	THIRD ANGLE PROJECTION		DOCUMENT NUMBER		DOC TYPE	DOC PART	SHEET NUMBER			
A3		A3		SD-44150-002		PSD	001	3 OF 3				