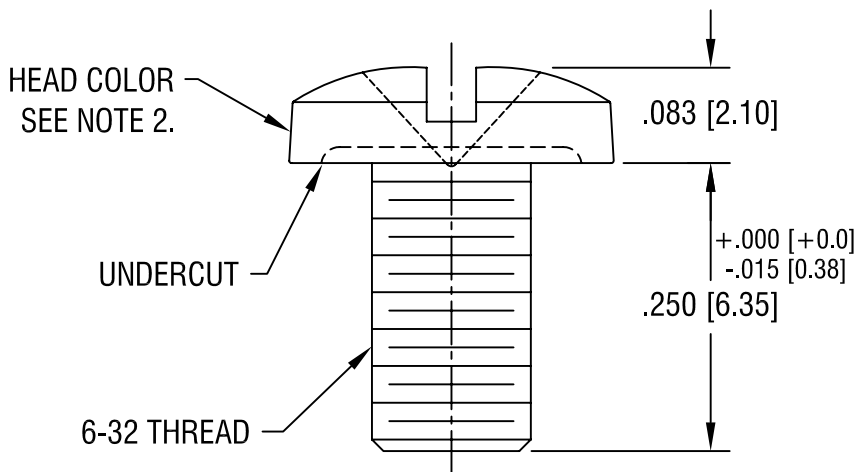
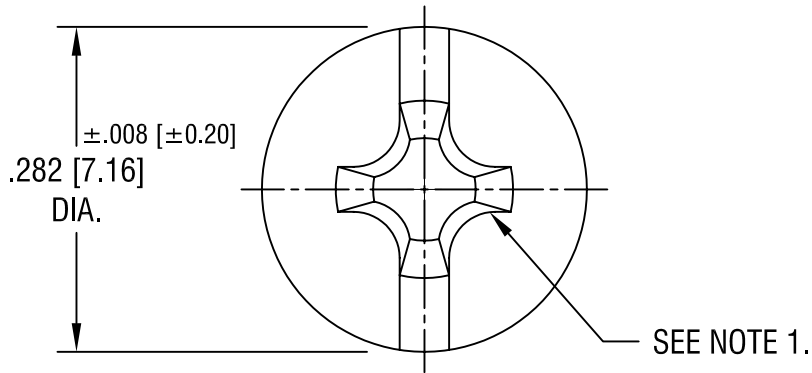


THIS DOCUMENT IS THE PROPERTY OF
KEYSTONE ELECTRONICS CORP. AND
SHALL NOT BE REPRODUCED, DISTRIBUTED
OR USED AS A BASIS FOR MANUFACTURE
WITHOUT PRIOR WRITTEN PERMISSION
FROM KEYSTONE ELECTRONICS CORP.



PART NO.	HEAD COLOR
9190-2	RED
9190-3	BLACK
9190-4	WHITE
9190-5	BLUE
9190-6	GREEN
9190-7	YELLOW

NOTE:

1. TO ACCEPT STANDARD SLOT OR PHILLIPS DRIVE.
2. HEAD OF SCREW IS POWDER COATED WITH COLOR AS INDICATED IN CHART.

KEYSTONE ELECTRONICS CORP.
ASTORIA, N.Y. 11105-2017

PART NAME
COMBINATION BINDING HEAD SCREW

MATERIAL
BRASS

FINISH NICKEL PLATE	DRN BY BOONE	DATE 10.8.03
	APP'D LN	SCALE 6X

1.3.08	CHANGE AS PER ECN 08-019	A
--------	--------------------------	---

TOLERANCES	INCH [MM]	CODE	DWG NO.
DECIMAL	$\pm .005$ [± 0.15]	C	9190-2 - 9190-7
ANGULAR	$\pm 1^\circ$		
UNLESS OTHERWISE SPECIFIED			

DATE	DESCRIPTION	REV.