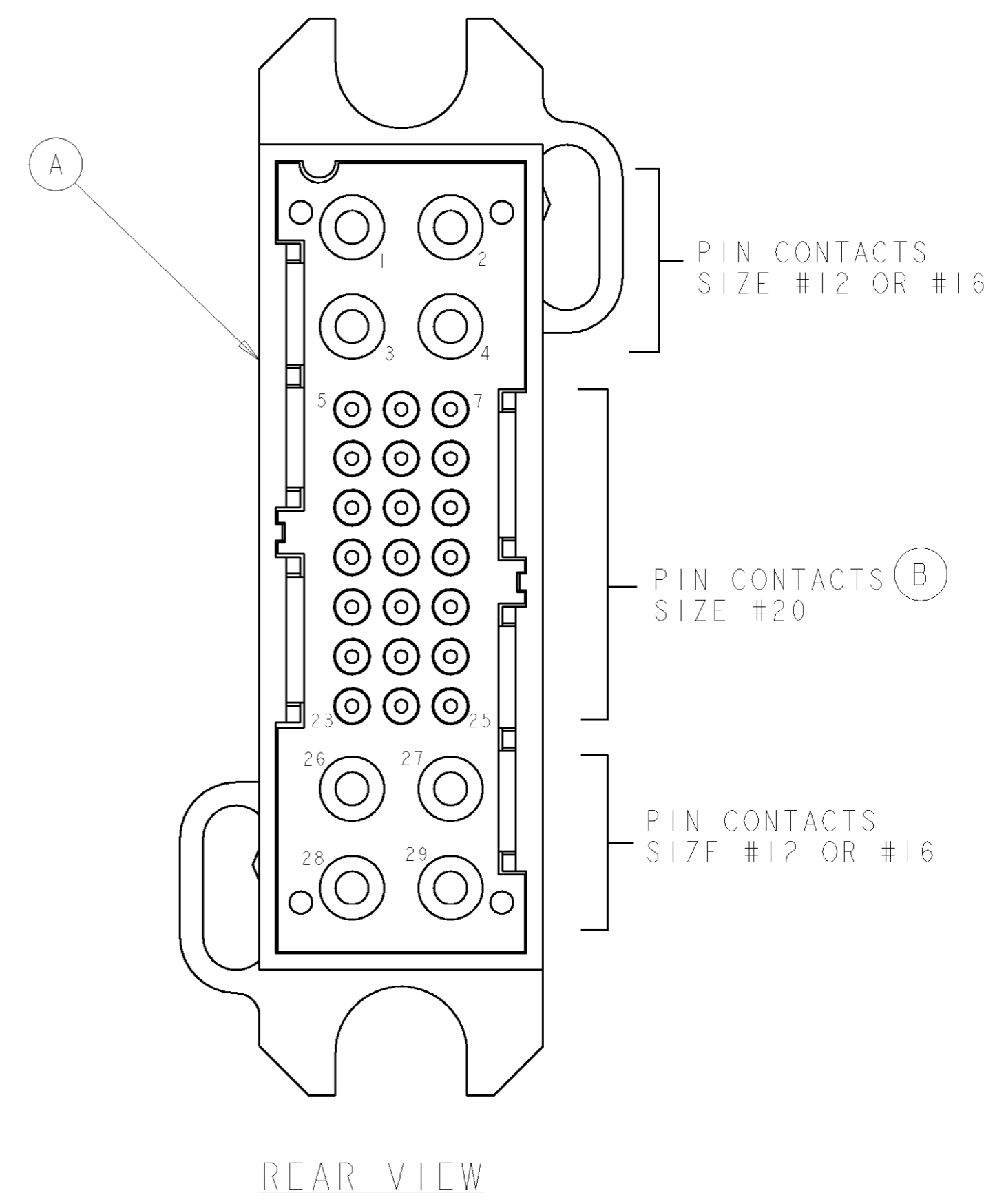
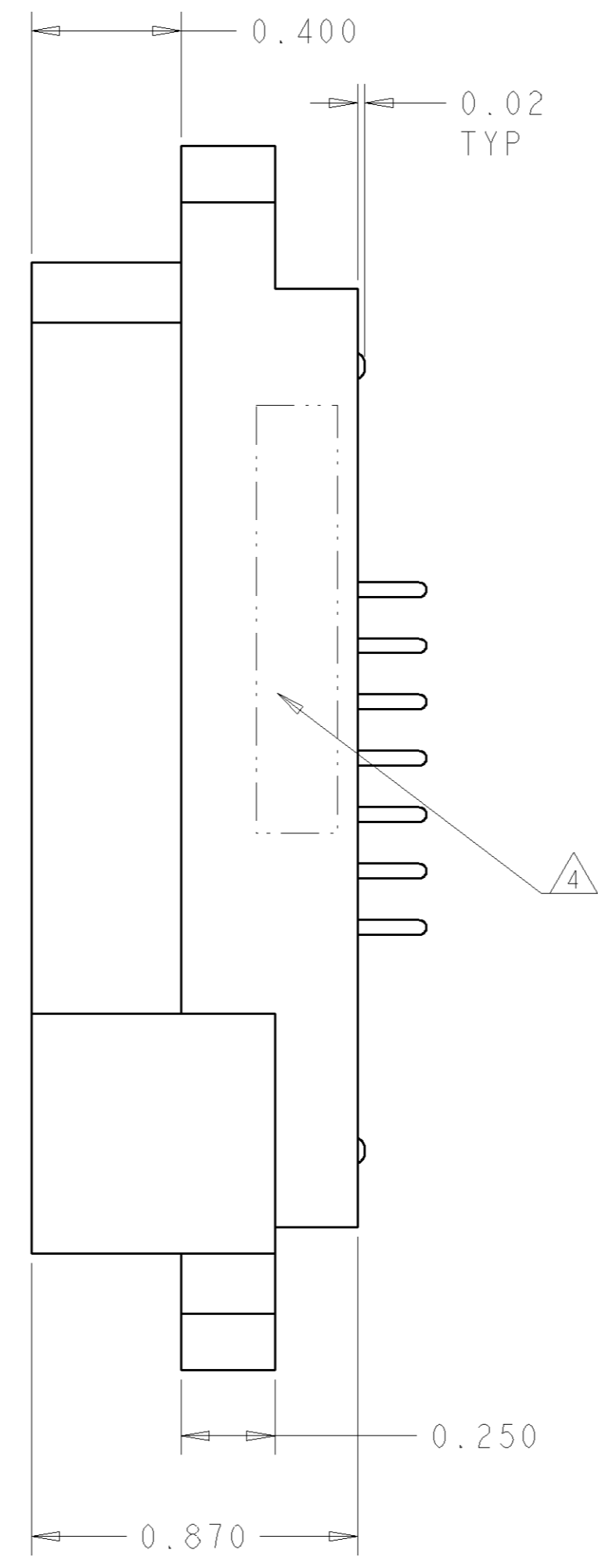
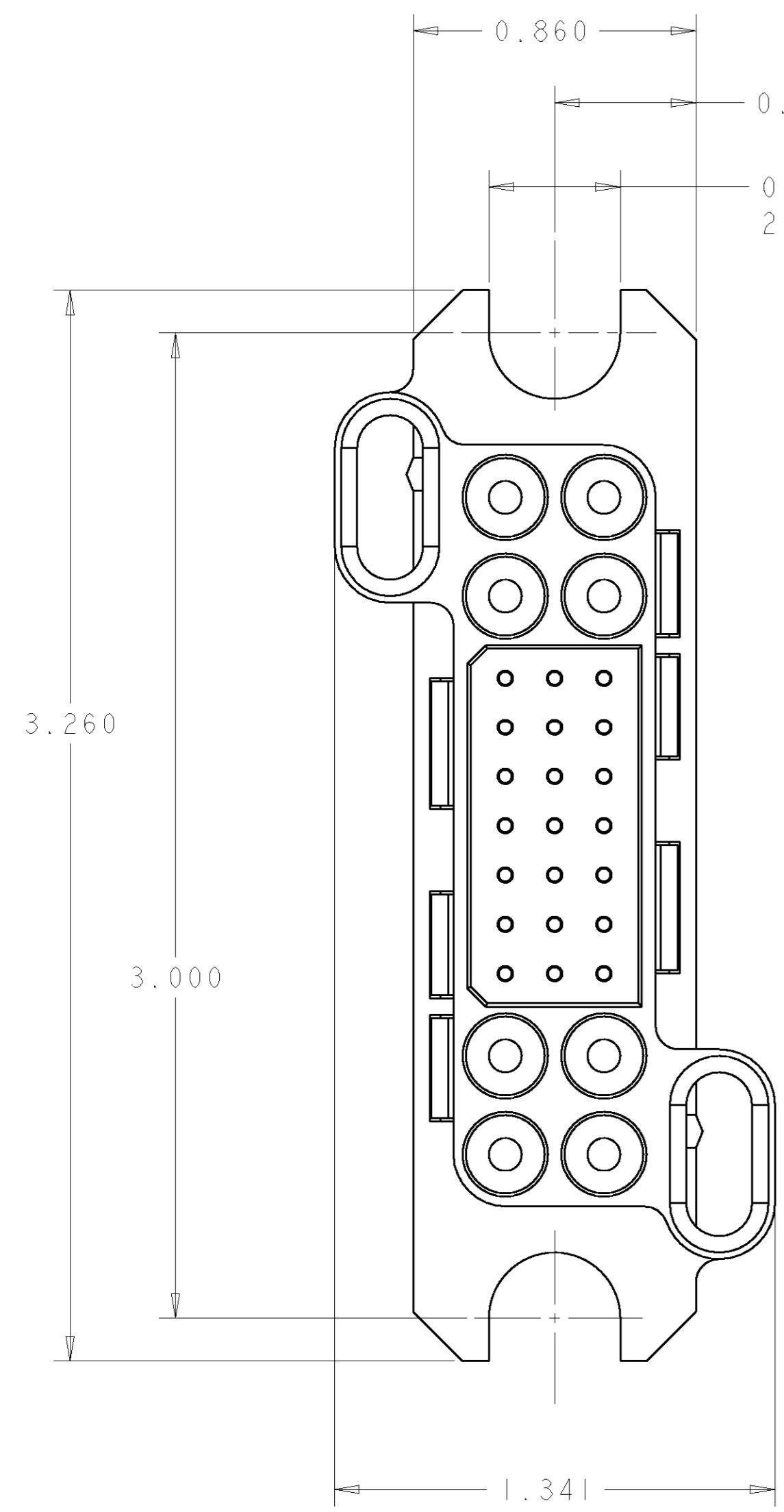


THIS DRAWING IS UNPUBLISHED. RELEASED FOR PUBLICATION 20
 © COPYRIGHT 20 BY TYCO ELECTRONICS CORPORATION. ALL RIGHTS RESERVED.

LOC	DIST	REVISIONS					
GP	00	P	LTR	DESCRIPTION	DATE	DWN	APVD
			A	RELEASED	08MAY2006	RG	SF

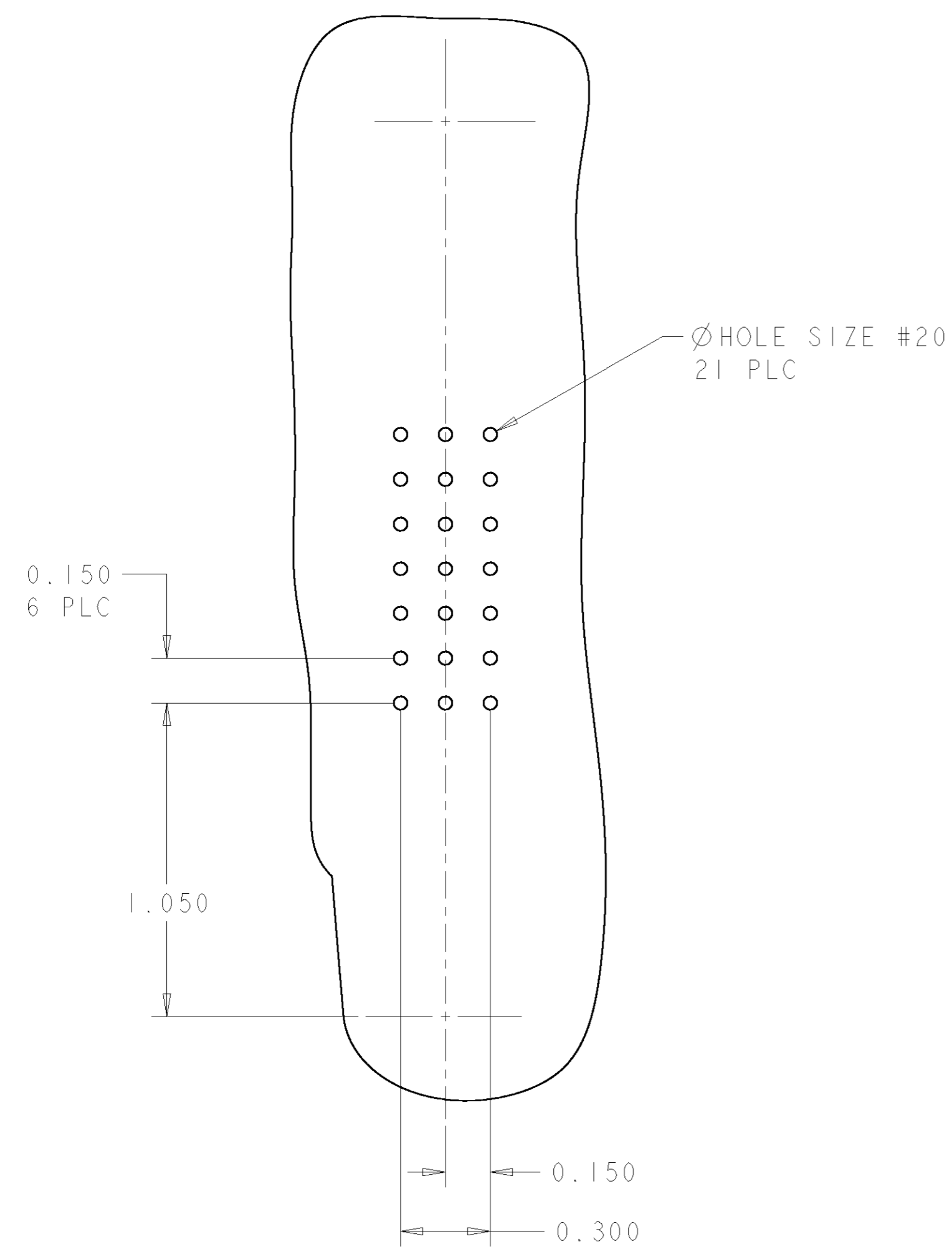


AS SHOWN	1926157-1
DESCRIPTION	PART NUMBER

<small>THIS DRAWING IS A CONTROLLED DOCUMENT FOR TYCO ELECTRONICS CORPORATION IT IS SUBJECT TO CHANGE AND THE CONTROLLING ENGINEERING ORGANIZATION SHOULD BE CONTACTED FOR THE LATEST REVISION.</small>		DWN R. GRZYBOWSKI 21 JUN06 CHK S. FLICKINGER 21 JUN06 APVD S. FLICKINGER 21 JUN06	tyco Tyco Electronics Electronics Harrisburg, PA 17105-3608
DIMENSIONS: INCHES 	TOLERANCES UNLESS OTHERWISE SPECIFIED: 0 PLC ± 1 PLC ± 2 PLC ±.02 3 PLC ±.010 4 PLC ± ANGLES ±.5 FINISH	PRODUCT SPEC - APPLICATION SPEC - WEIGHT - CUSTOMER DRAWING	NAME CONNECTOR ASSEMBLY PIN LOWER DRAWER SIZE CAGE CODE DRAWING NO RESTRICTED TO A200779G-1926157 -
ELCON LOWER DRAWER		SCALE 3:1 SHEET 1 OF 2 REV A	

THIS DRAWING IS UNPUBLISHED. RELEASED FOR PUBLICATION 20
 © COPYRIGHT 20 BY TYCO ELECTRONICS CORPORATION. ALL RIGHTS RESERVED.

LOC	DIST	REVISIONS					
GP	00	P	LTR	DESCRIPTION	DATE	DWN	APVD
		-		SEE SHEET 1			



- PART NUMBER CHANGES AND OR DESIGN CHANGES AFFECTING THE INTERCHANGEABILITY REQUIRE PRIOR TYCO APPROVAL AND AUTHORIZATION BY REVISION TO THIS DRAWING.
- MATERIAL:
 INSULATOR: THERMOPLASTIC, GLASS REINFORCED, UL 94V-0
 FLAMMABILITY RATED, COLOR: BLACK
 CONTACT: COPPER ALLOY
 RETENTION CLIP: BERYLLIUM COPPER OR STAINLESS STEEL
- FINISH:
 CONTACTS SIZE #20 BODY : GOLD .000030 MIN THK.
 OVER NICKEL .00040 MIN THK.

△ ITEMS PROVIDED TO THIS SPECIFICATION TO BE PERMANENTLY IDENTIFIED PER THE FOLLOWING IDENTIFIER:

TYCO PART NUMBER: XXXXXXXX-X
 DATE CODE (e.g. 0216): YEAR WEEK
 XXXX

△ SOLDER TAIL CONTACTS (ITEMS B) ARE INSERTABLE/NON-REMOVABLE.

PRINTED CIRCUIT BOARD LAYOUT
 VIEW FROM CONNECTOR MOUNTING SIDE

HOLE SIZE #20
 FINISHED HOLE: $\varnothing .047 \pm .003$
 DRILLED HOLE: $\varnothing .0453 \pm .0005$
 COPPER PLATE: .0010 MIN
 TIN PLATE: .00030 MIN

△ 21	1650283-1	CONTACT, PIN, #20, SOLDER TAIL, STD	B
1	1648203-1	HOUSING, PIN, FLOAT MOUNT	A
-1	PART NUMBER	DESCRIPTION	ITEM

<small>THIS DRAWING IS A CONTROLLED DOCUMENT FOR TYCO ELECTRONICS CORPORATION. IT IS SUBJECT TO CHANGE AND THE CONTROLLING ENGINEERING ORGANIZATION SHOULD BE CONTACTED FOR THE LATEST REVISION.</small>		DWN R. GRZYBOWSKI 21 JUN 06 CHK S. FLICKINGER 21 JUN 06 APVD S. FLICKINGER 21 JUN 06	tyco Tyco Electronics Harrisburg, PA 17105-3608
DIMENSIONS: INCHES 	TOLERANCES UNLESS OTHERWISE SPECIFIED: 0 PLC ± 1 PLC ± 2 PLC ±.02 3 PLC ±.010 4 PLC ± ANGLES ±.5 FINISH	NAME: CONNECTOR ASSEMBLY PIN LOWER DRAWER PRODUCT SPEC: - APPLICATION SPEC: - WEIGHT: -	SIZE: A2 CAGE CODE: 00779 DRAWING NO: 1926157 RESTRICTED TO: -
MATERIAL: -	FINISH: -	CUSTOMER DRAWING	SCALE: 3:1 SHEET 2 OF 2 REV A

ELCON LOWER DRAWER