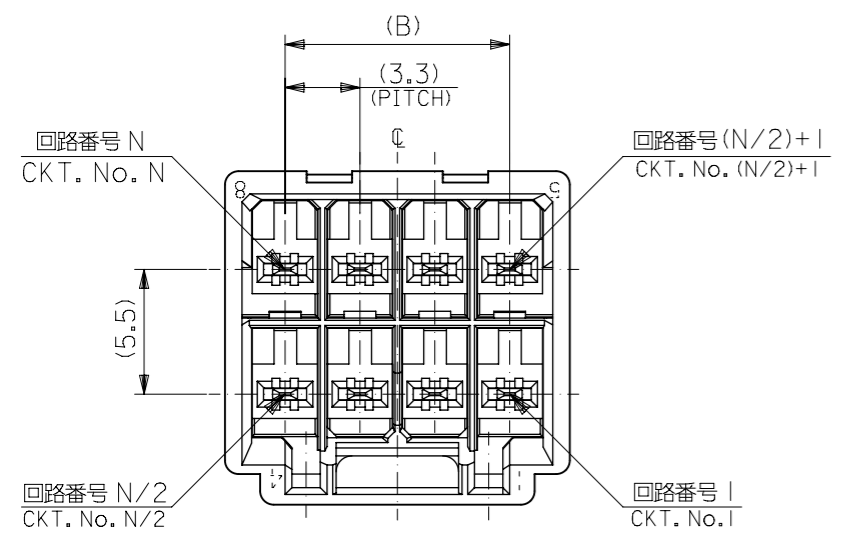


本図は2列品を示す
DUAL ROW ASS'Y

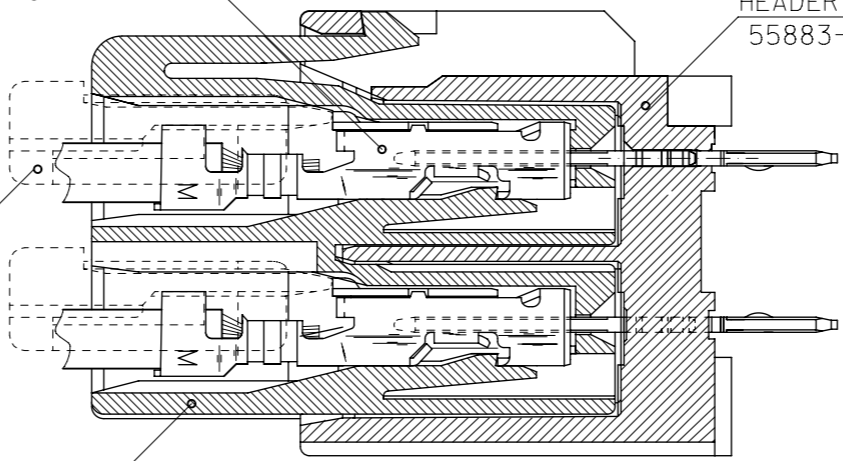


REC TERM
56187/56188/-8*00
501395/500989 -1*00
502706-8*10

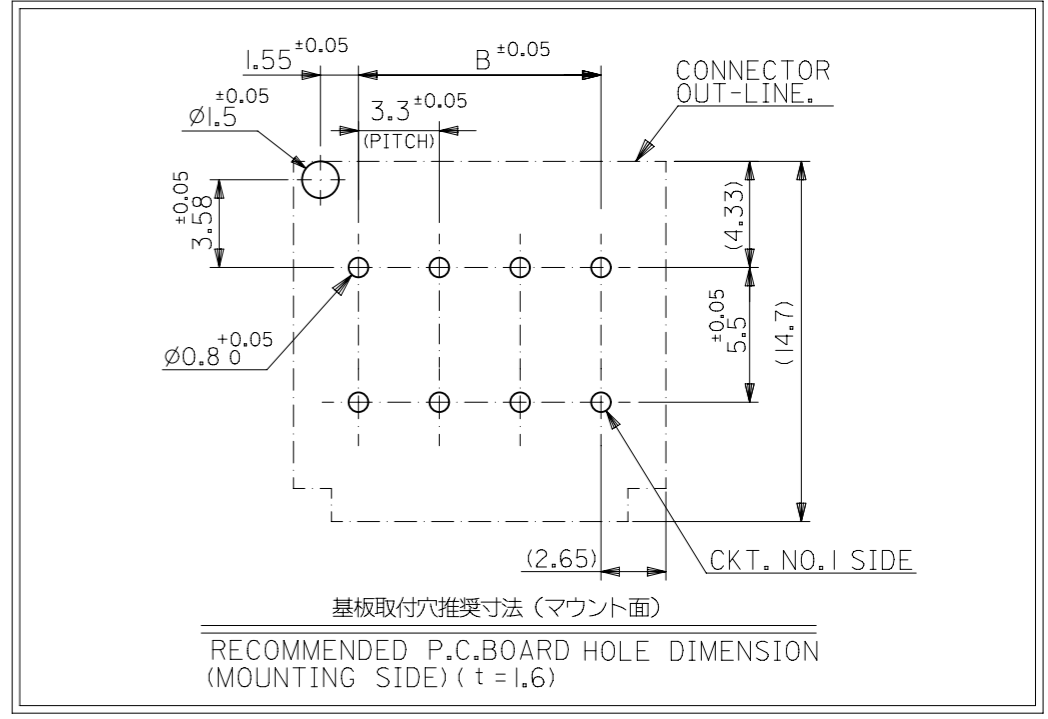
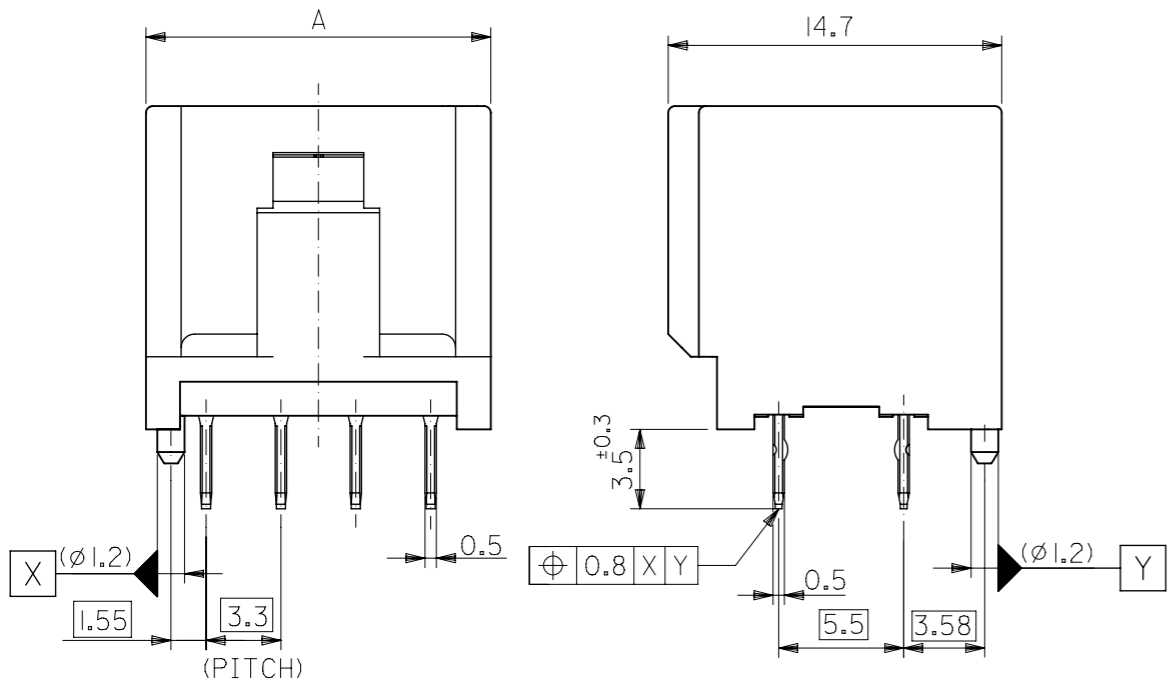
RETAINER
51348-***00

REC HS'G
51284-***0*

HEADER ASS'Y
55883-***9*



嵌合断面図
MATED CROSS SECTION



基板取付穴推奨寸法 (マウント面)
RECOMMENDED P.C. BOARD HOLE DIMENSION
(MOUNTING SIDE) (t = 1.6)

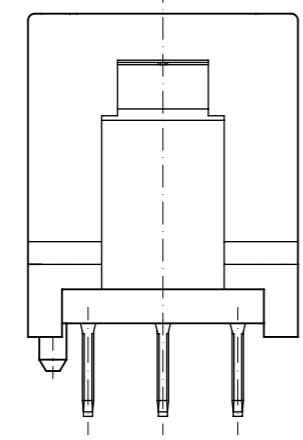
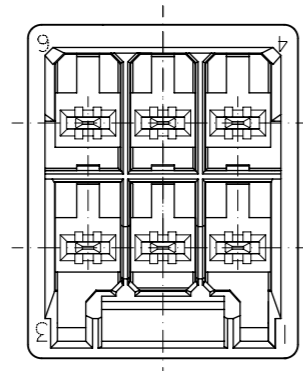
注記
NOTES

- 材料 MATERIAL : 黄銅, ニッケル下地鍍メッキ
ピン PIN : BRASS, TIN OVER NICKEL PLATED
ヘッダー HEADER : ポリアミド (PA)、ガラス充填 UL94V-0
- 嵌合相手 MATE WITH : 51284-****
- ソルダーテールキंकは、両端のピンのみとする。
KINK TO BE APPLIED FOR 4 PINS AT BOTH ENDS.
- 極性用溝 PALARIZING KEY
- ELV及びRoHS 適合品
ELV AND RoHS COMPLIANT

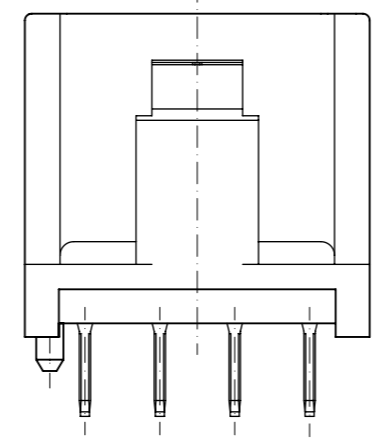
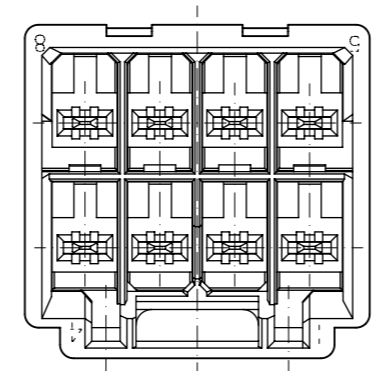
OPPOSITE SIDE OF LOCK	NATURAL (IVORY)	13.2	18.5	55883-1090	10
	NATURAL (IVORY)	9.9	15.2	-0890	8
	NATURAL (IVORY)	6.6	11.9	-0690	6
MATING KEY POSITION (SEE SHEET 2 OF 3)	COLOR	B	A	TRAY PACKAGE	極数
				オーダー番号 ORDER NO.	CIRCUITS
CONNECTOR SERIES No. 55883-***9*					

THIS DRAWING CONTAINS INFORMATION THAT IS PROPRIETARY TO MOLEX ELECTRONIC TECHNOLOGIES, LLC AND SHOULD NOT BE USED WITHOUT WRITTEN PERMISSION					
DIMENSION UNITS		SCALE		CURRENT REV DESC: REMOVED OBSOLETE PART NUMBER AS PER PCN#513349.	
mm		NTS			
GENERAL TOLERANCES (UNLESS SPECIFIED)					
4 PLACES		± 0.2			
3 PLACES		± 0.25			
2 PLACES		± 0.3			
1 PLACE		±			
0 PLACES		±			
ANGULAR TOL		± 3.0			
DRAFT WHERE APPLICABLE MUST REMAIN WITHIN DIMENSIONS		THIRD ANGLE PROJECTION			
GENERAL TOLERANCES (UNLESS SPECIFIED)		ANGULAR ± 3°			
10 UNDER		± 0.2			
10 OVER 30 UNDER		± 0.25			
30 OVER		± 0.3			
EC NO: 742242		DRWN: SANTHN		2023/03/08	
CHK'D: GGA		APPR: GGA		2023/03/17	
INITIAL REVISION:		DRWN: J.KUGOU		'04/02/12	
APPR: M.SASAO				'04/02/12	
DOCUMENT NUMBER		DOC TYPE		DOC PART	
SD-55883-010		PSD		001	
MATERIAL NUMBER		CUSTOMER		REVISION	
SEE CHART		GENERAL MARKET		E	
DRAWING		SERIES		SHEET NUMBER	
A3-SIZE		55883		1 OF 3	

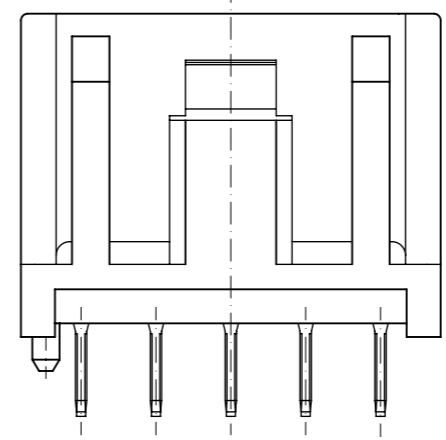
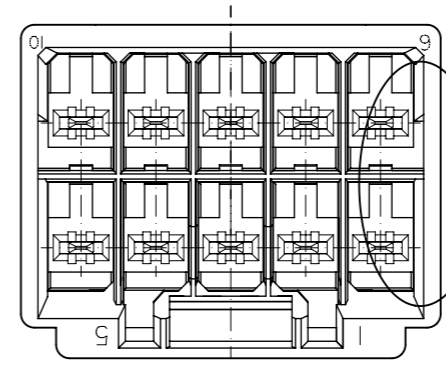
本図は2列品を示す
DUAL ROW ASS'Y



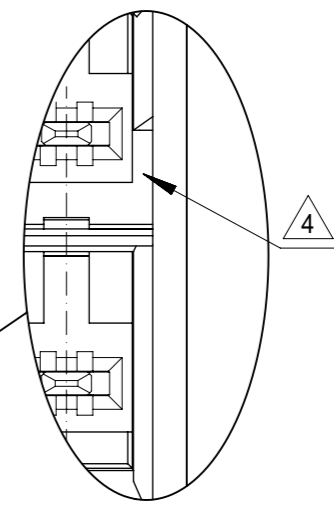
SHAPE OF
55883-0690
HEADER COLOR : NATURAL



SHAPE OF
55883-0890
HEADER COLOR : NATURAL



SHAPE OF
55883-1090
HEADER COLOR : NATURAL



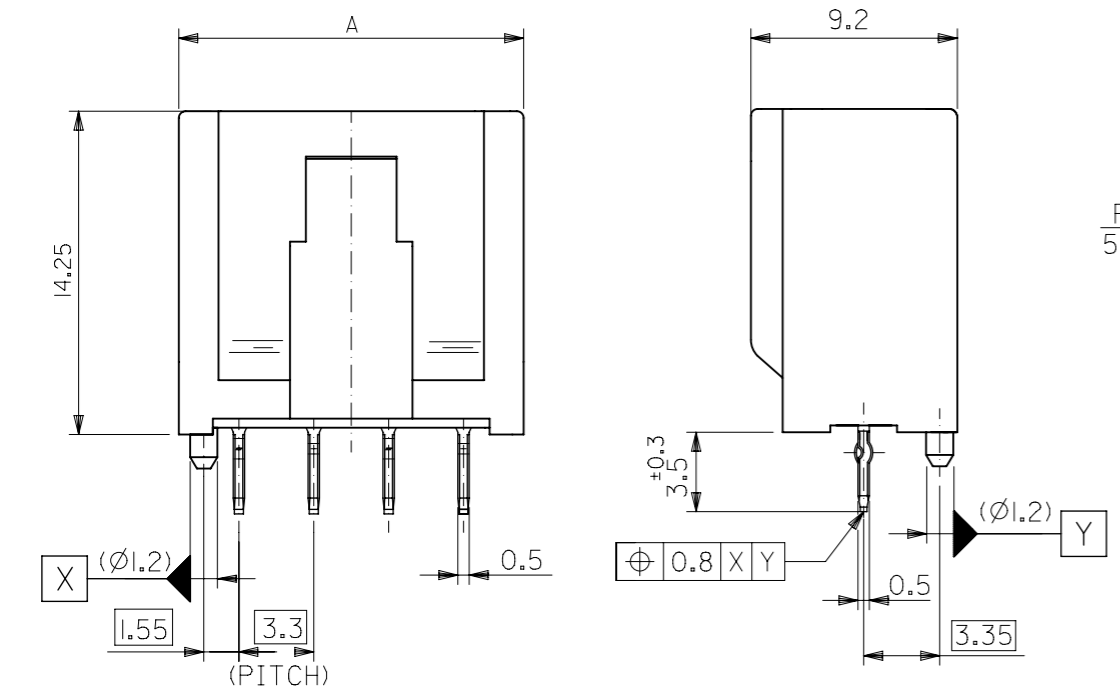
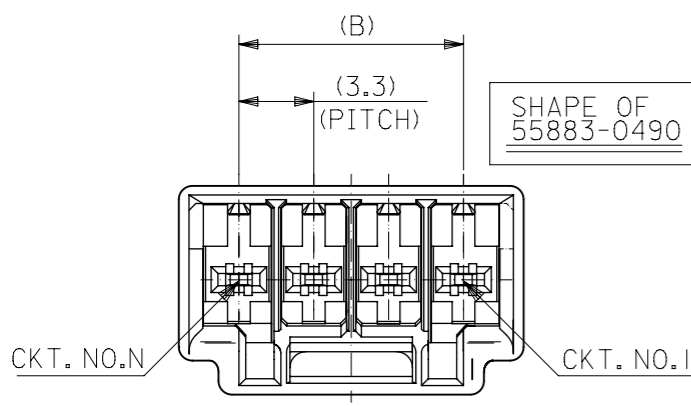
MATING KEY POSITION : OPPOSITE SIDE OF LOCK

極数レイアウト図
LAYOUT OF EACH CIRCUITS

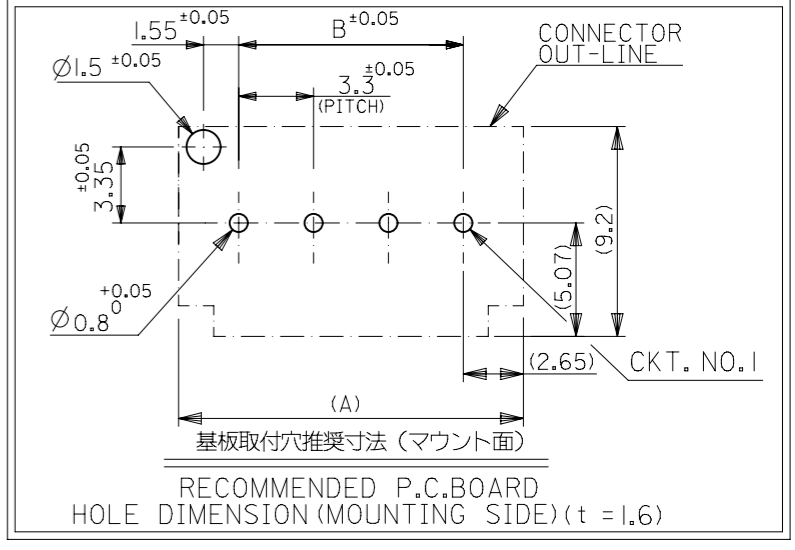
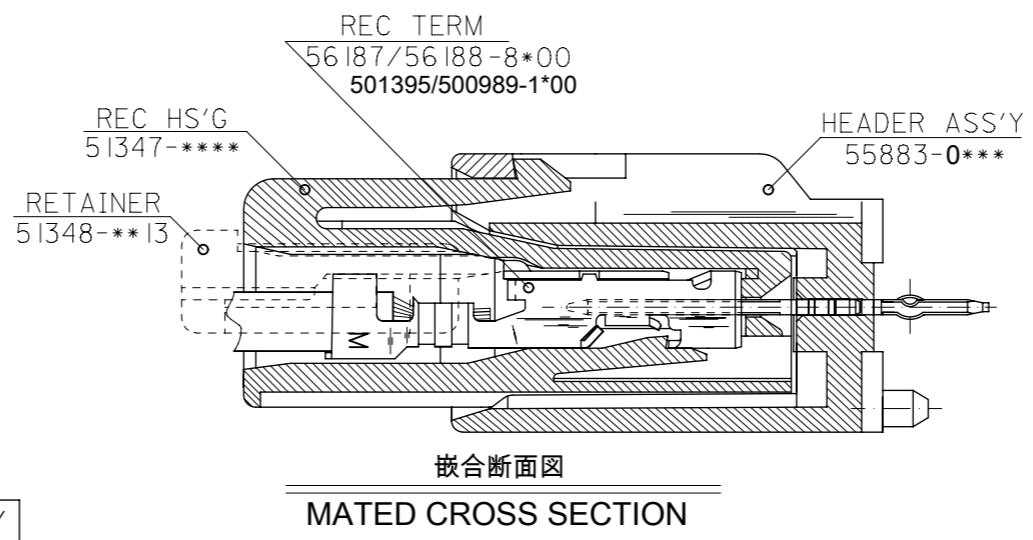
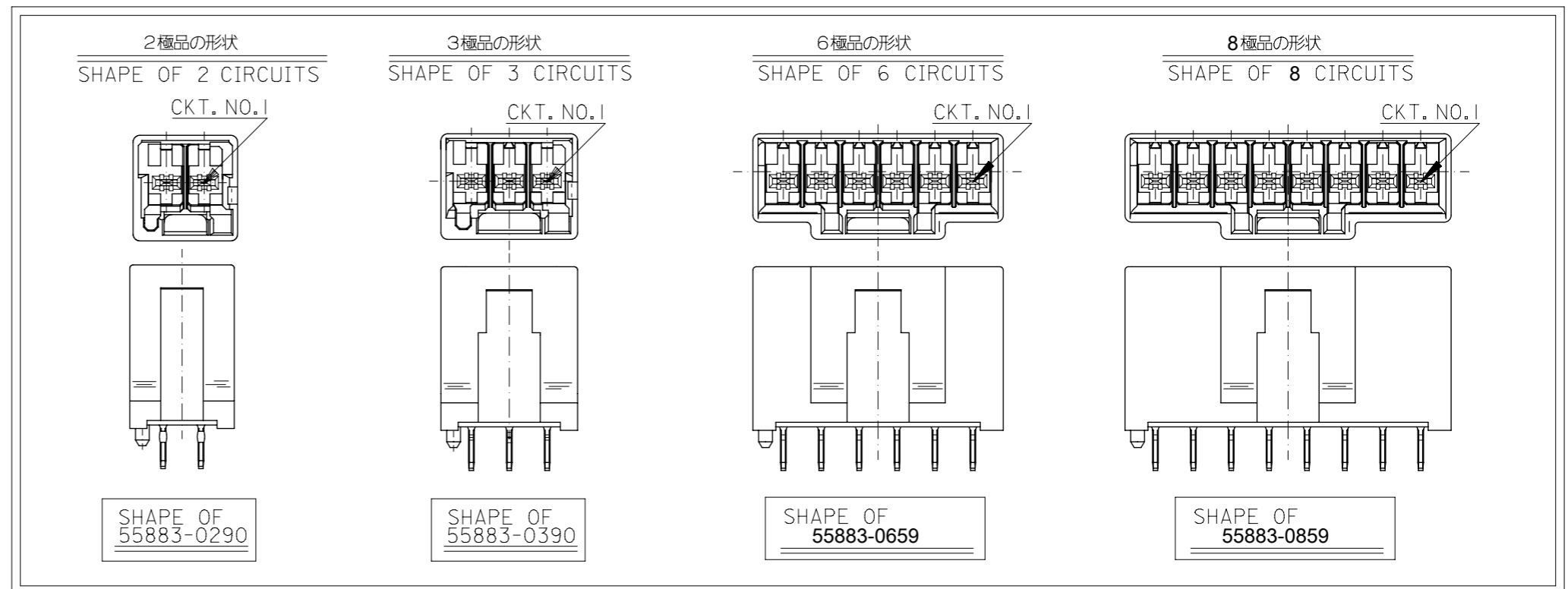
PRE-RELEASE
REFERENCE
USE ONLY

GENERAL TOLERANCES (UNLESS SPECIFIED) 10 ^{UNDER} ±0.2 10 ^{OVER} 30 ^{UNDER} ±0.25 30 ^{OVER} ±0.3 ANGULAR ±3°		DIMENSION UNITS: mm SCALE: NTS GENERAL TOLERANCES (UNLESS SPECIFIED): 4 PLACES ± 0.2 ± 3 PLACES ± 0.25 ± 2 PLACES ± 0.3 ± 1 PLACE ± ± 0 PLACES ± ± ANGULAR TOL ± 3.0	THIS DRAWING CONTAINS INFORMATION THAT IS PROPRIETARY TO MOLEX ELECTRONIC TECHNOLOGIES, LLC AND SHOULD NOT BE USED WITHOUT WRITTEN PERMISSION CURRENT REV DESC: REMOVED OBSOLETE PART NUMBER AS PER PCN#513349. EC NO: 742242 DRWN: SANTHN 2023/03/08 CHK'D: GGA 2023/03/17 APPR: GGA 2023/03/17 INITIAL REVISION: DRWN: J.KUGOU '04/02/12 APPR: M.SASAO '04/02/12	molex 3.3 WIRE TO BOARD CONN. HEADER ASS'Y PRODUCT CUSTOMER DRAWING DOCUMENT NUMBER: SD-55883-010 DOC TYPE: PSD DOC PART: 001 REVISION: E MATERIAL NUMBER: SEE CHART CUSTOMER: GENERAL MARKET SHEET NUMBER: 2 OF 3
--	--	--	--	--

本図は1列品を示す
SINGLE ROW ASS'Y



- 注記
NOTES
- 材料 MATERIAL
ピン PIN : 黄銅, ニッケル下地鍍メッキ
: BRASS, TIN OVER NICKEL PLATED
ヘッダー HEADER : ポリアミド (PA)、ガラス充填 UL94V-0
: POLYAMIDE(PA)、GLASS FILLED、UL94V-0
 - 嵌合相手 MATE WITH : 51347-****
 - ELV及びRoHS適合品
ELV AND RoHS COMPLIANT



NATURAL (IVORY)	23.1	28.4	55883-0859	8
	16.5	21.8	55883-0659	6
	9.9	15.2	55883-0490	4
	6.6	11.9	55883-0390	3
	3.3	9.1	55883-0290	2
COLOR	B	A	TRAY PACKAGE	極数
			オーダー番号 ORDER NO.	CIRCUITS

CONNECTOR SERIES No. 55883-0***

PRE-RELEASE
REFERENCE
USE ONLY

THIS DRAWING CONTAINS INFORMATION THAT IS PROPRIETARY TO MOLEX ELECTRONIC TECHNOLOGIES, LLC AND SHOULD NOT BE USED WITHOUT WRITTEN PERMISSION

DIMENSION UNITS		SCALE		CURRENT REV DESC: REMOVED OBSOLETE PART NUMBER AS PER PCN#513349.			
mm		NTS		EC NO: 742242 DRWN: SANTHN 2023/03/08 CHK'D: GGA 2023/03/17 APPR: GGA 2023/03/17 INITIAL REVISION: DRWN: J.KUGOU '04/02/12 APPR: M.SASAO '04/02/12			
GENERAL TOLERANCES (UNLESS SPECIFIED)							
		MM	INCH				
4 PLACES	± 0.2	±					
3 PLACES	± 0.25	±					
2 PLACES	± 0.3	±					
1 PLACE	±						
0 PLACES	±						
ANGULAR TOL		± 3.0		DRAFT WHERE APPLICABLE MUST REMAIN WITHIN DIMENSIONS THIRD ANGLE PROJECTION DRAWING A3-SIZE SERIES 55883 MATERIAL NUMBER SEE CHART CUSTOMER GENERAL MARKET SHEET NUMBER 3 OF 3			

DOCUMENT NUMBER: SD-55883-010
DOC TYPE: PSD
DOC PART: 001
REVISION: E