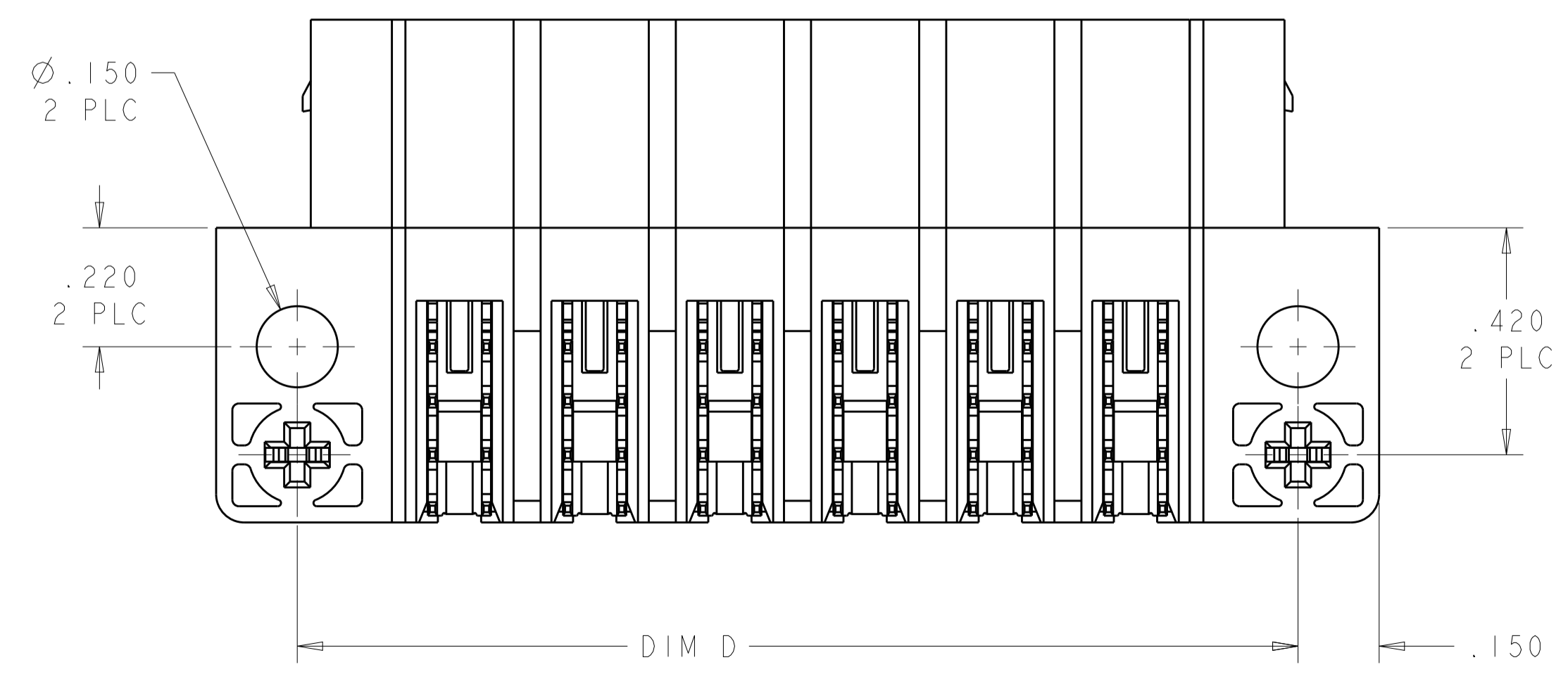
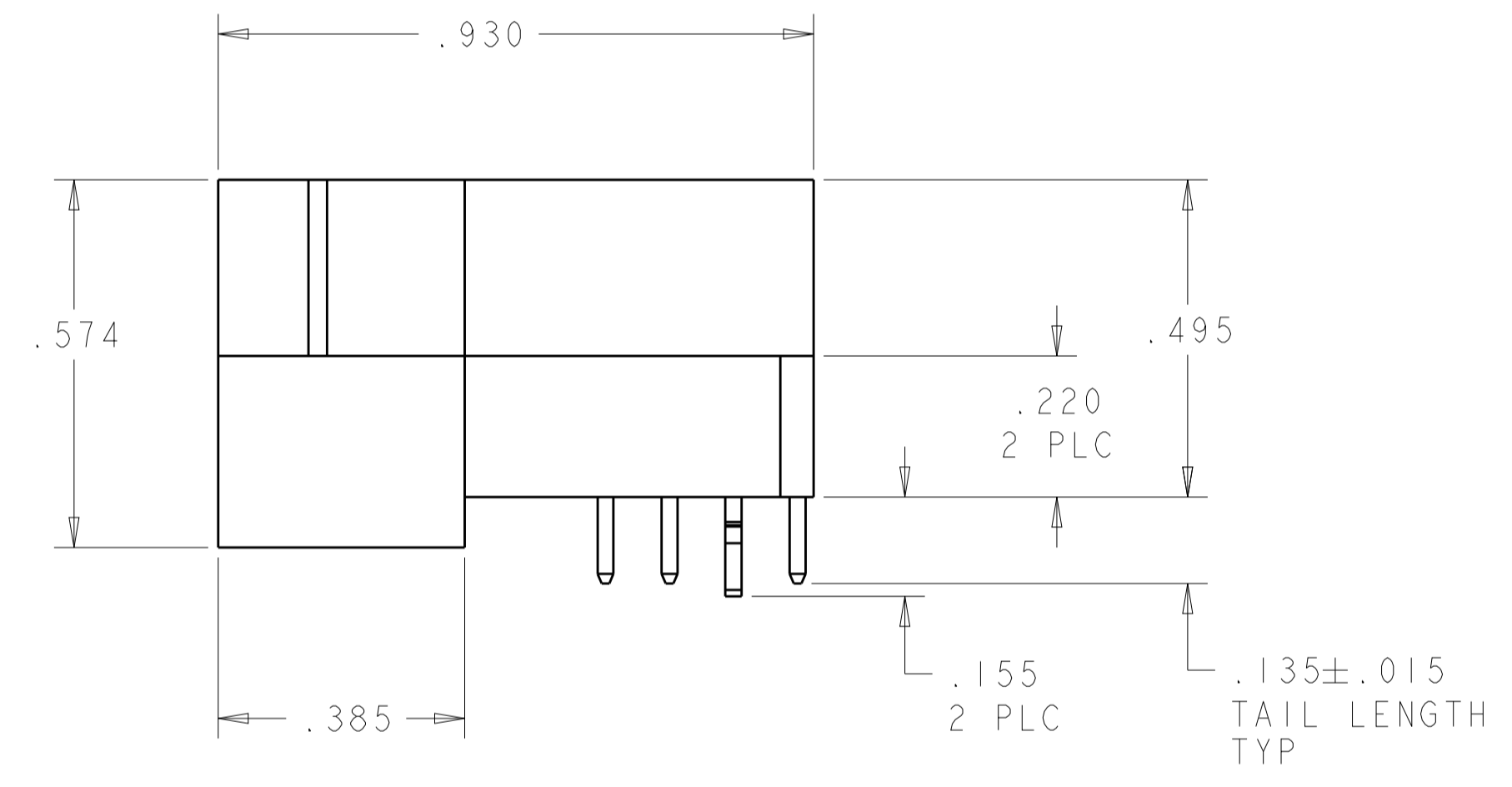
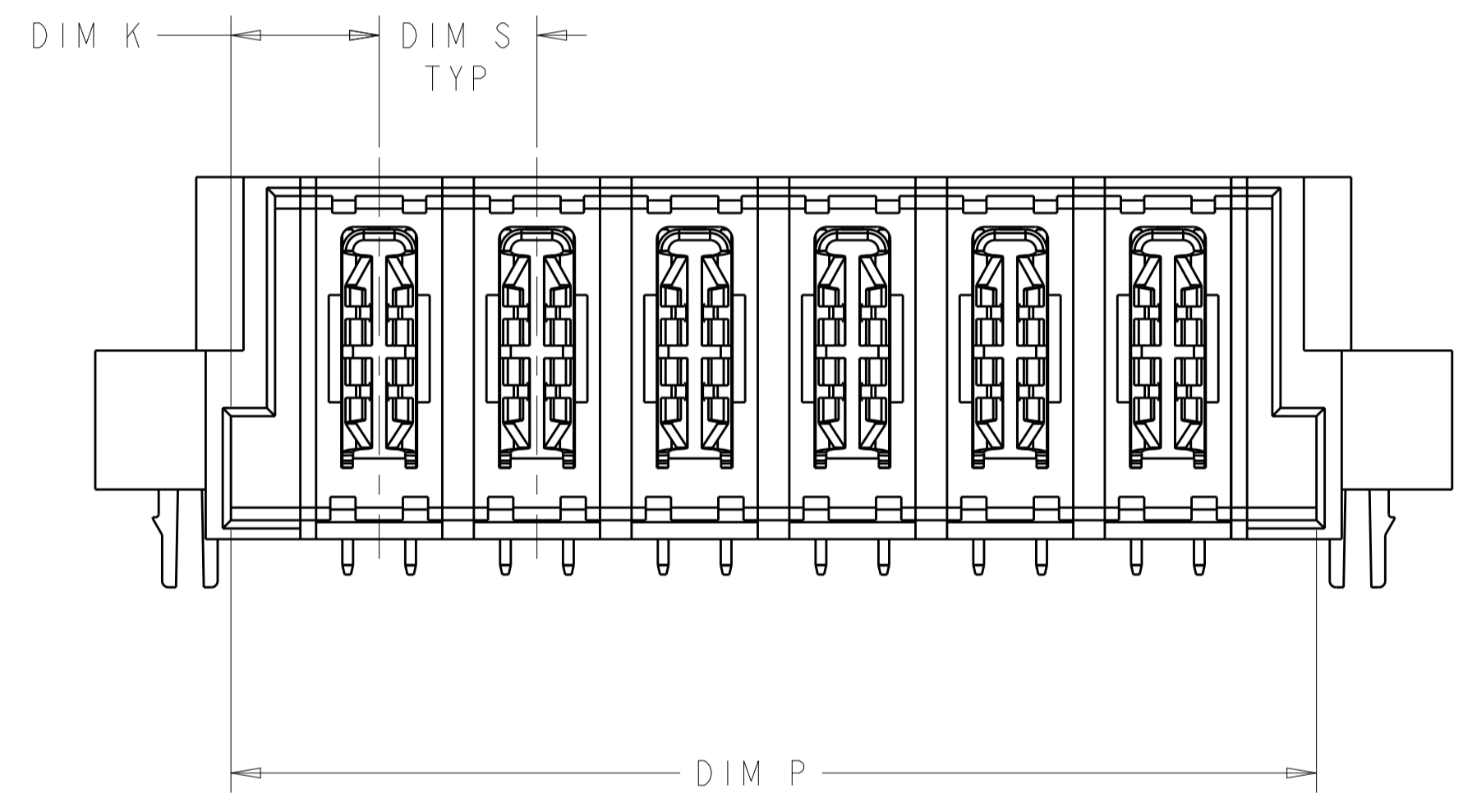
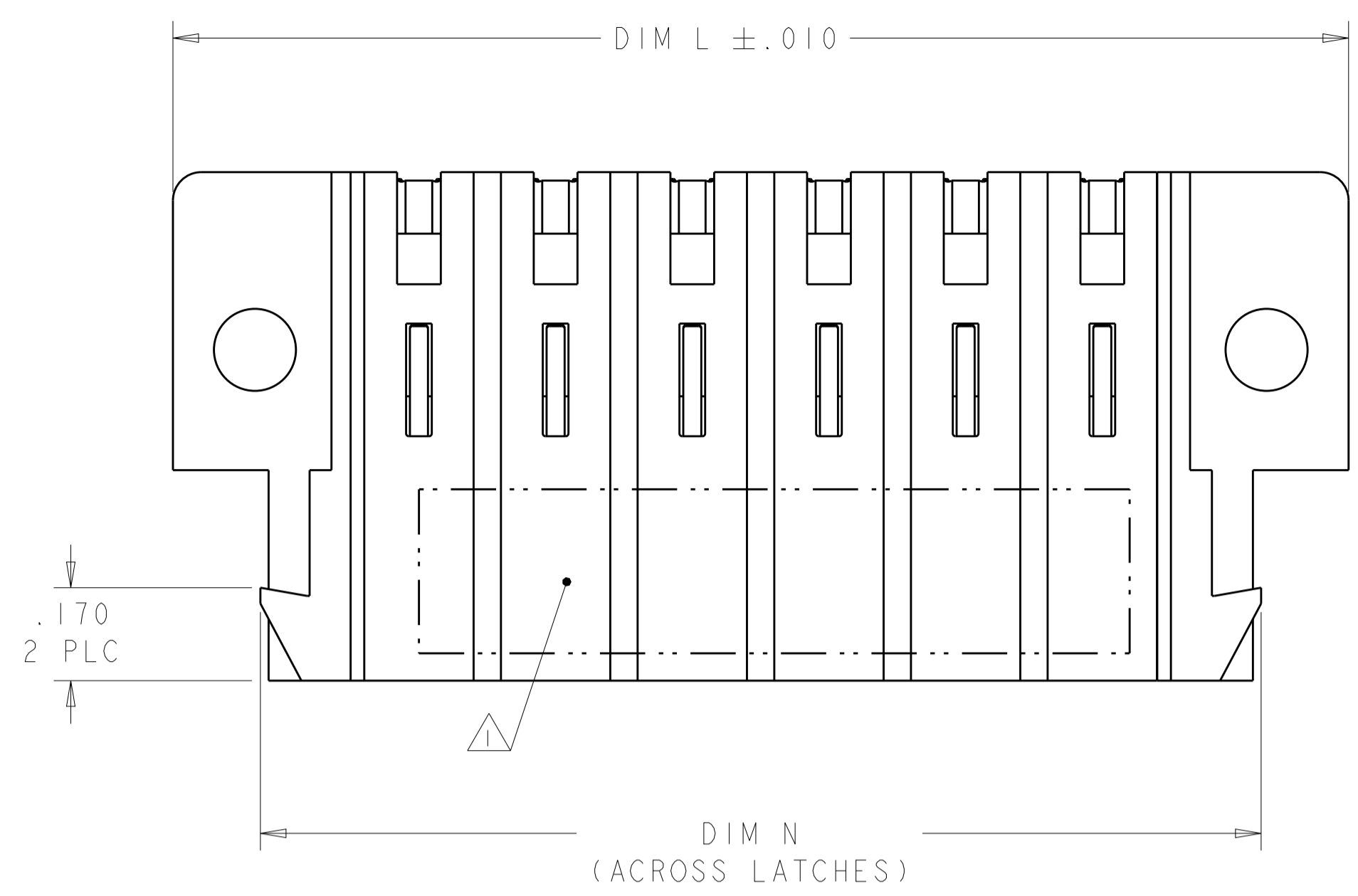


| LOC | | DIST | | REVISIONS | | | |
|-----|----|------|-----|----------------------------|-----------|-----|------|
| ES | 00 | P | LTN | DESCRIPTION | DATE | DMN | APVD |
| | | C1 | | ADDED NEW DASH NUMBER 1--1 | 21SEP2010 | CZ | SY |



- △ "AMP" PART NUMBER AND DATE CODE TO BE MARKED IN AREA SHOWN. PARTS UNDER 2.50 INCHES LONG MAY BE MARKED ON BOTH SIDES.
- △ MATERIAL: HOUSING - GLASS FILLED HIGH TEMP THERMO PLASTIC, UL 94 V-0
POWER CONTACT - HIGH CONDUCTIVITY COPPER ALLOY.
- △ CONTACT PLATING: NOBLE METAL PLATING ON CONTACT FUNCTIONAL AREA OF POWER AND SIGNAL CONTACTS
- △ MECHANICAL CONNECTOR KEEP OUT ZONE. WHEN PLACING CONNECTORS END-TO-END, ALLOW ADDITIONAL 0.1 CLEARANCE BETWEEN CONNECTORS FOR LATCH ACTIVATION.
- △ DATUM AND BASIC DIMENSIONS ESTABLISHED BY CUSTOMER.
- △ PCB - ALL HOLE DIAMETERS ARE FINISHED HOLE SIZES.
- △ PCB - .0453±.0010 DRILLED HOLES PLATED WITH .0003 MIN Sn OVER .001 TO .003 Cu PLATING TO ACHIEVE A .040 DIA HOLE.

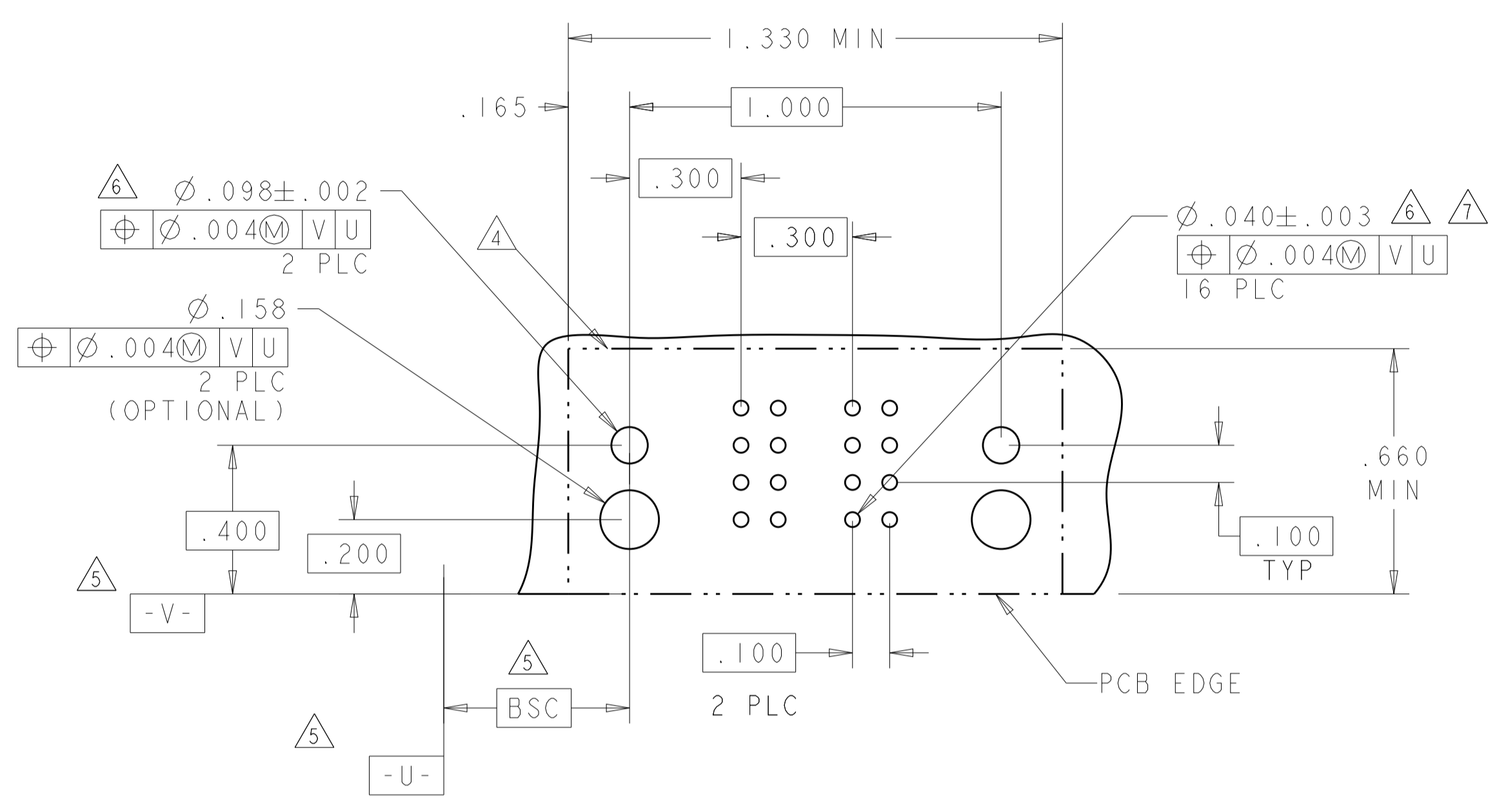
| | | | | | | | |
|-------|-------|-------|-------|-------|-------|-------------|-------------|
| 2.070 | 2.180 | 2.200 | .300 | 2.500 | .285 | 6ACP | 1-6450129-1 |
| 1.170 | 1.280 | 1.300 | .300 | 1.600 | .285 | 3ACP | 1-6450129-0 |
| 2.220 | 2.330 | 2.350 | .250 | 2.650 | .235 | 8P | 6450129-9 |
| 1.170 | 1.280 | 1.300 | .350 | 1.600 | .235 | 3P | 6450129-8 |
| .720 | .830 | .850 | .250 | 1.150 | .235 | 2P | 6450129-7 |
| 1.720 | 1.830 | 1.850 | .250 | 2.150 | .235 | 6P | 6450129-5 |
| 1.220 | 1.330 | 1.350 | .250 | 1.650 | .235 | 4P | 6450129-3 |
| .970 | 1.080 | 1.100 | .250 | 1.400 | .235 | 3P | 6450129-2 |
| .870 | .980 | 1.000 | .300 | 1.300 | .285 | 2ACP | 6450129-1 |
| DIM P | DIM N | DIM D | DIM S | DIM L | DIM K | DESCRIPTION | PART NUMBER |

| | | | | | | | |
|---------------------------|--|--|--|---------------------------|--|--|--|
| DIMENSIONS: INCHES | | TOLERANCES UNLESS OTHERWISE SPECIFIED: 0 PLC ±. 1 PLC ±.01 2 PLC ±.01 3 PLC ±.005 4 PLC ±.0020 ANGLES ±.0° | | DIMENSIONS: INCHES | | TOLERANCES UNLESS OTHERWISE SPECIFIED: 0 PLC ±. 1 PLC ±.01 2 PLC ±.01 3 PLC ±.005 4 PLC ±.0020 ANGLES ±.0° | |
| MATERIAL | | FINISH | | DIMENSIONS: INCHES | | TOLERANCES UNLESS OTHERWISE SPECIFIED: 0 PLC ±. 1 PLC ±.01 2 PLC ±.01 3 PLC ±.005 4 PLC ±.0020 ANGLES ±.0° | |

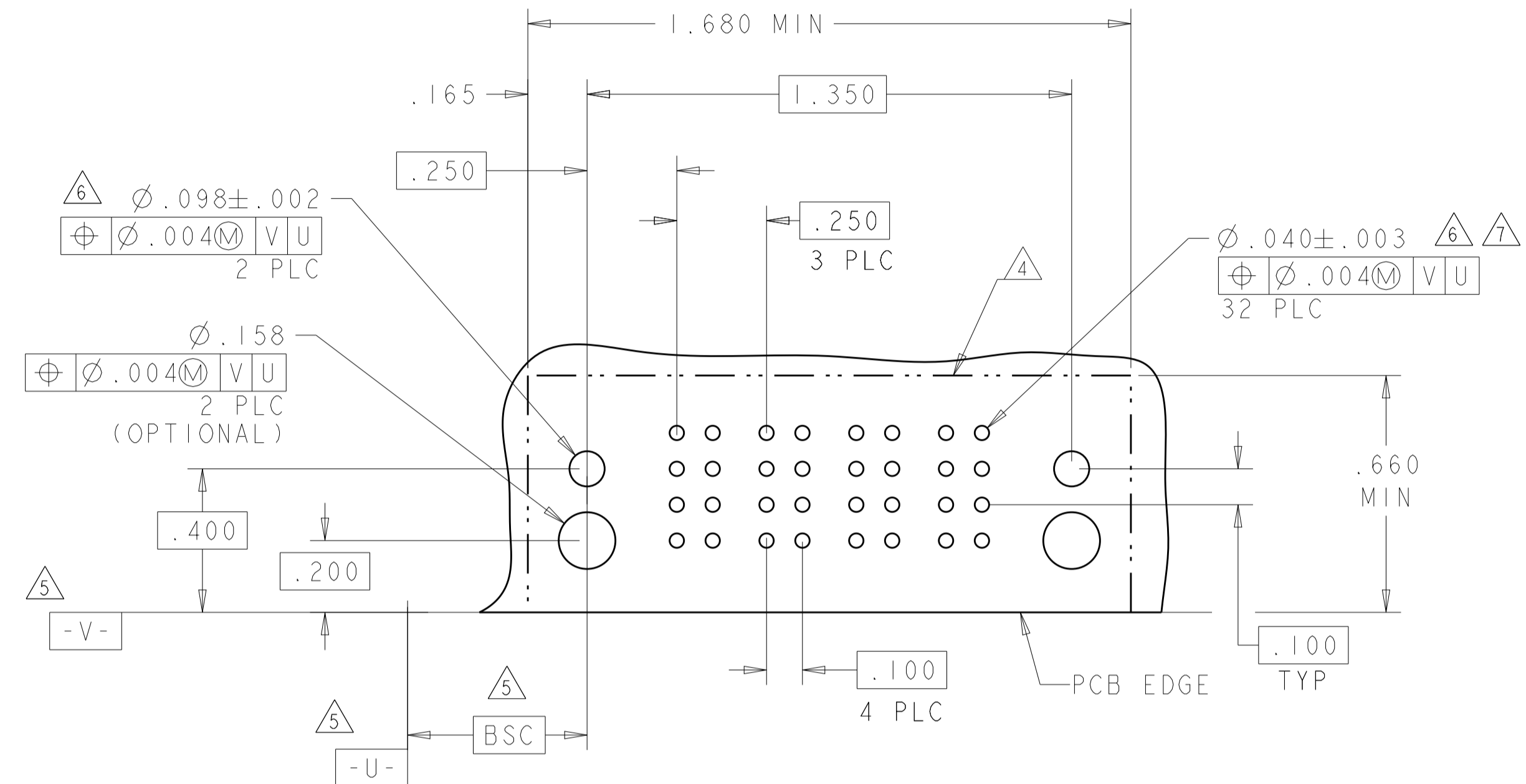
| | | | |
|------------------|---------------|------------|---|
| DMN | R. GRZYBOWSKI | 11FEB05 | Tyco Electronics Corporation Shanghai, P.R. 200233 |
| CHK | M. PERCHERKE | 11FEB05 | |
| APVD | M. PERCHERKE | | NAME |
| PRODUCT SPEC | | | RIGHT ANGLE HEADER ASSEMBLY |
| APPLICATION SPEC | | | W/ LATCH RECIEVERS |
| MULTI-BEAM XL | | | |
| SIZE | CAGE CODE | DRAWING NO | RESTRICTED TO |
| A1 | 00779 | 6450129 | |
| CUSTOMER DRAWING | | | SCALE 4:1 SHEET 1 OF 4 REV C1 |

| LOC | DIST | REVISIONS | | | |
|-----|------|-------------|------|-----|------|
| P | LTN | DESCRIPTION | DATE | DMN | APVD |
| ES | 00 | SEE SHEET 1 | | | |

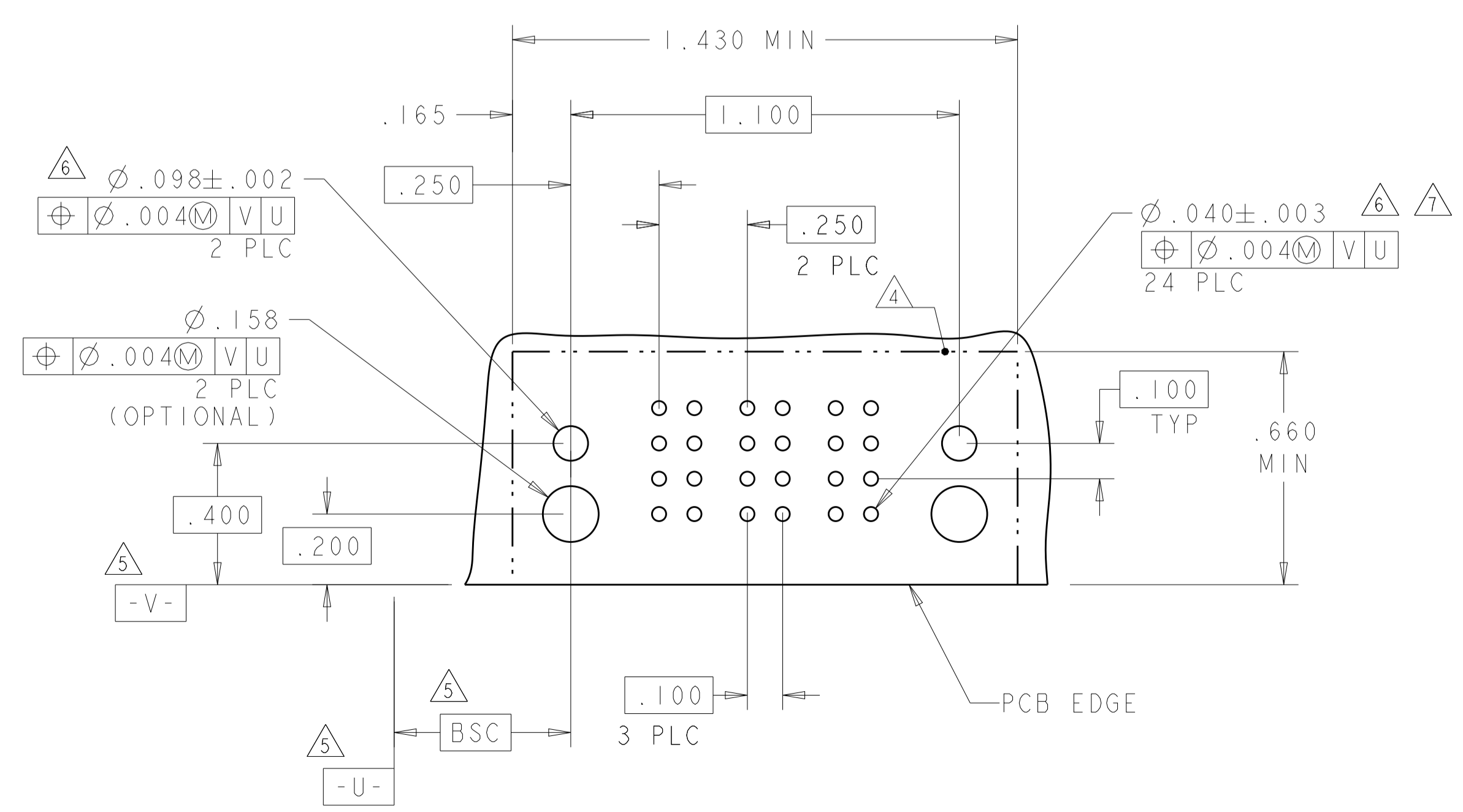
| PART NUMBER | ROWS | POWER | |
|-------------|------------------|-------|----|
| | | P1 | P2 |
| 6450129-1 | D C B A | PM | PM |
| | | HD | HD |
| 2ACP | | | |



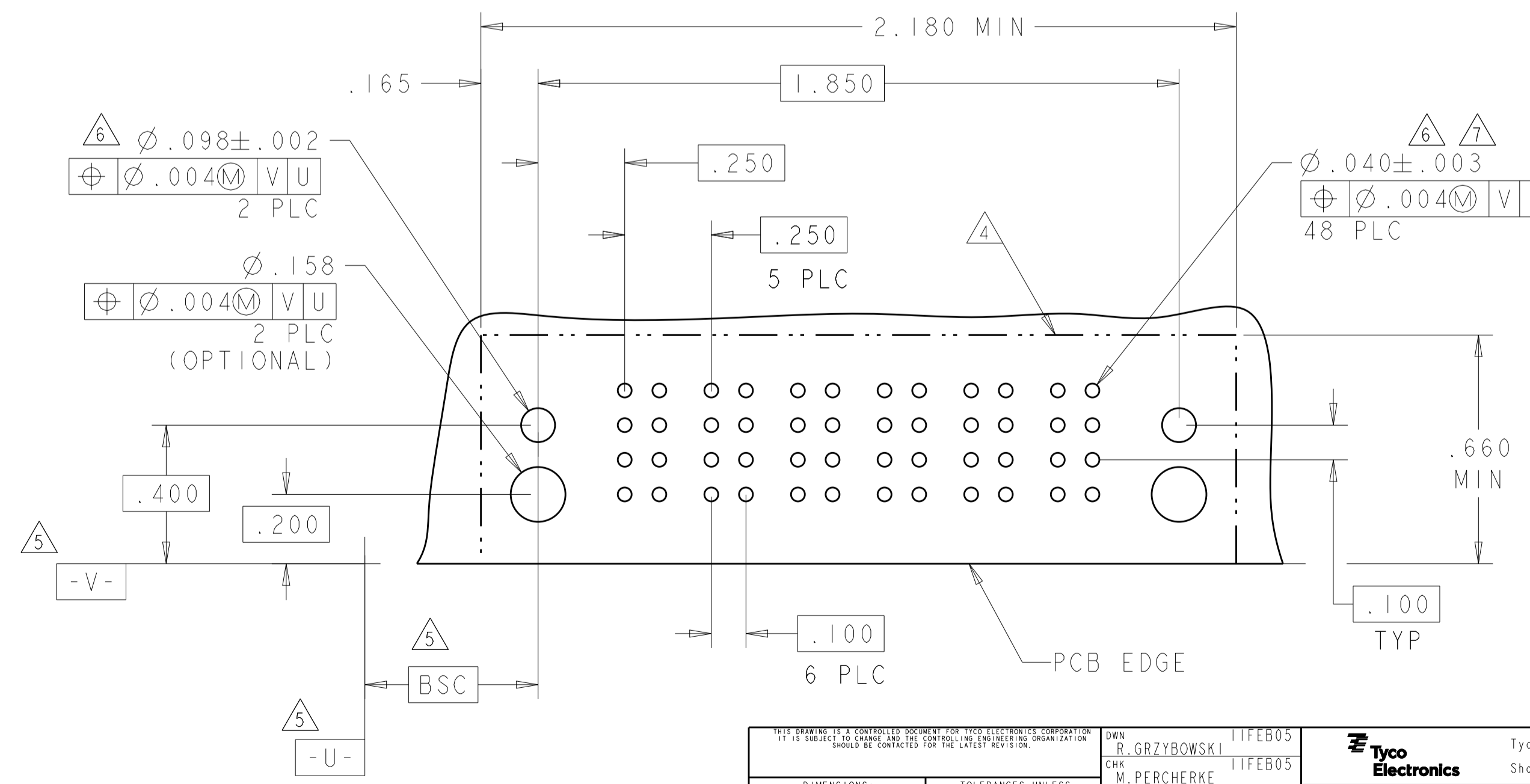
| PART NUMBER | ROWS | POWER | | | |
|-------------|------------------|-------|----|----|----|
| | | P1 | P2 | P3 | P4 |
| 6450129-3 | D C B A | PM | PM | PM | PM |
| | | HD | | | HD |
| 4P | | | | | |



| PART NUMBER | ROWS | POWER | | |
|-------------|------------------|-------|----|----|
| | | P1 | P2 | P3 |
| 6450129-2 | D C B A | PM | PM | PM |
| | | HD | | HD |
| 3P | | | | |



| PART NUMBER | ROWS | POWER | | | | | |
|-------------|------------------|-------|----|----|----|----|----|
| | | P1 | P2 | P3 | P4 | P5 | P6 |
| 6450129-5 | D C B A | PM | PM | PM | PM | PM | PM |
| | | HD | | | | | HD |
| 6P | | | | | | | |



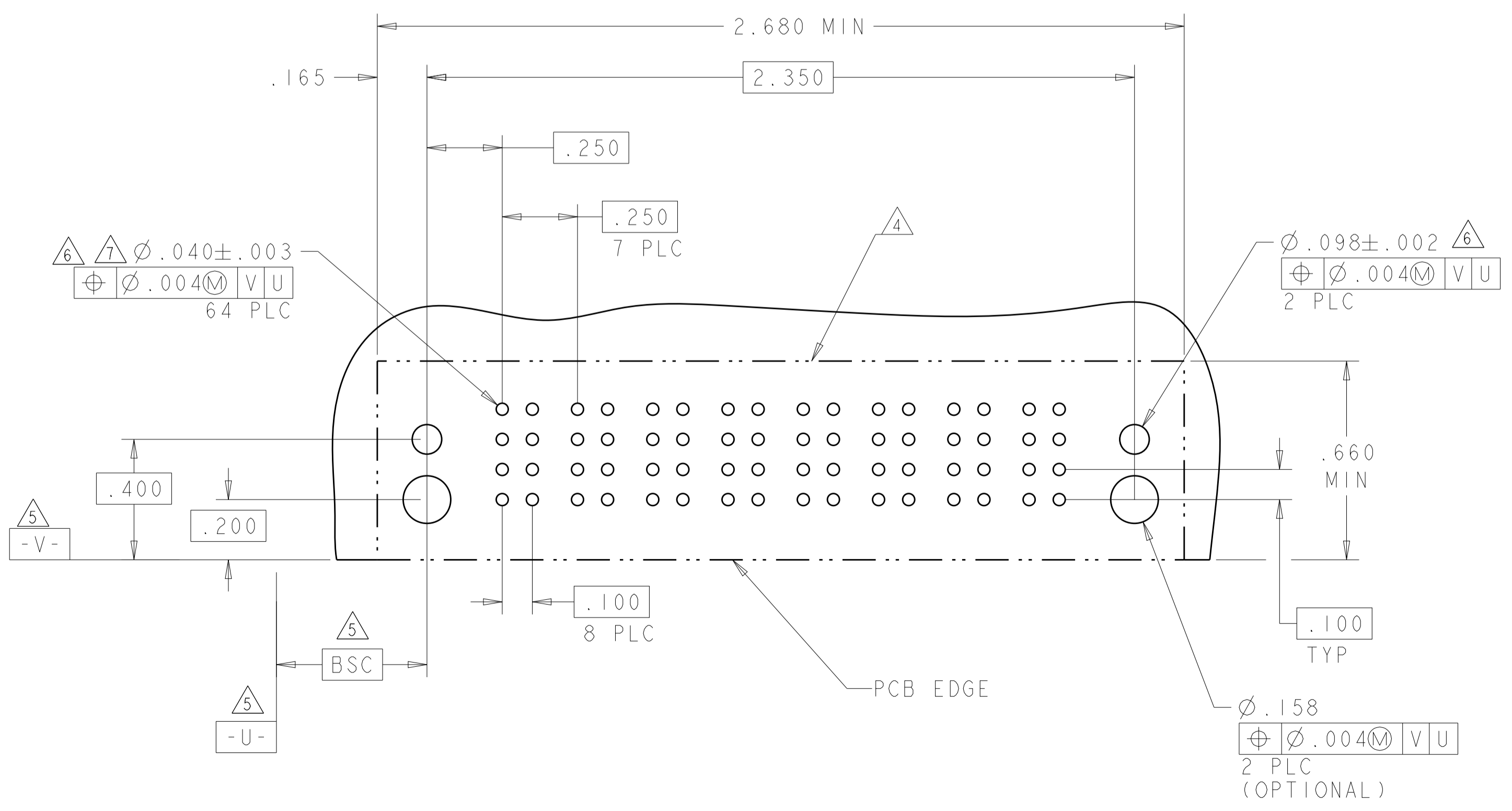
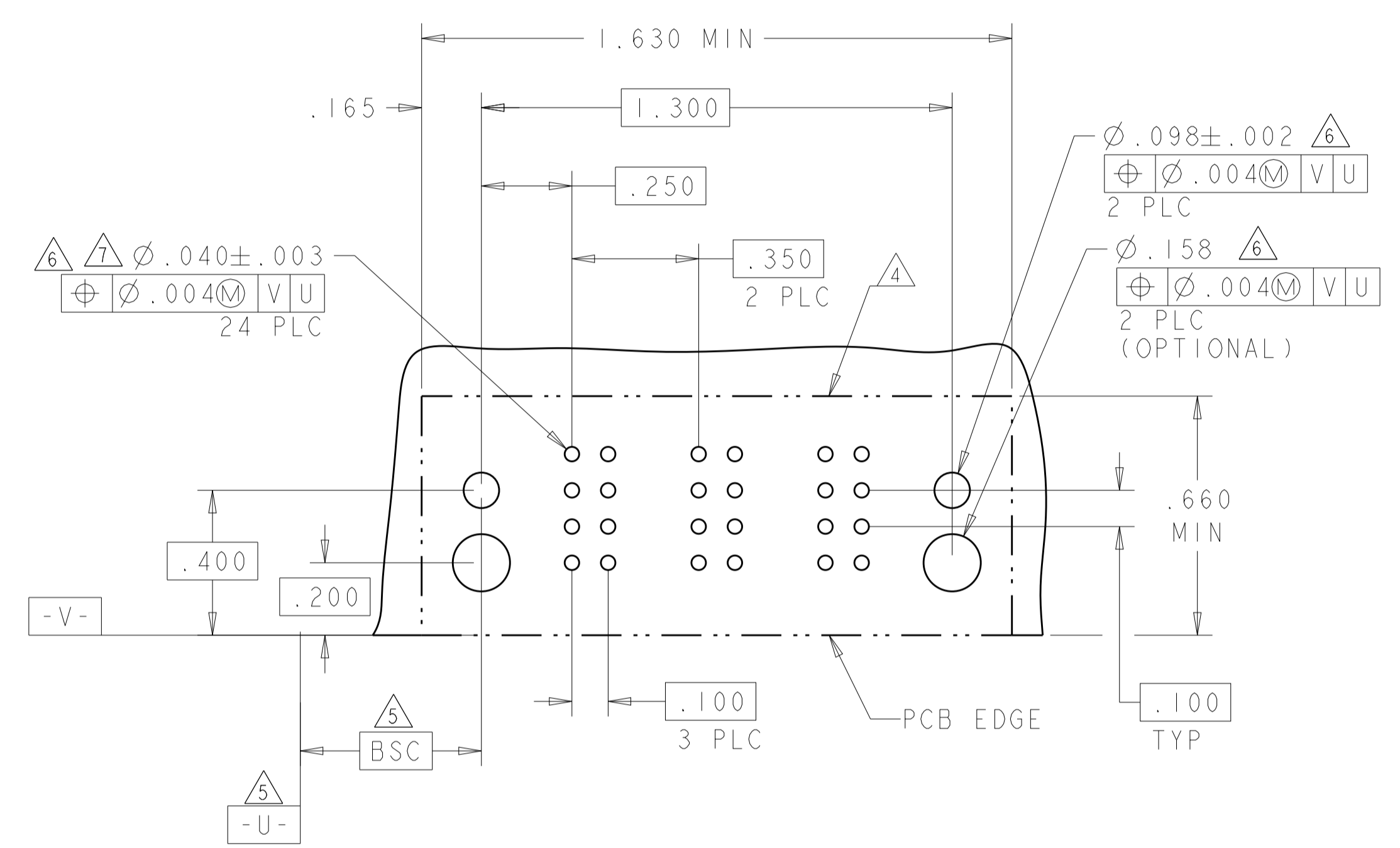
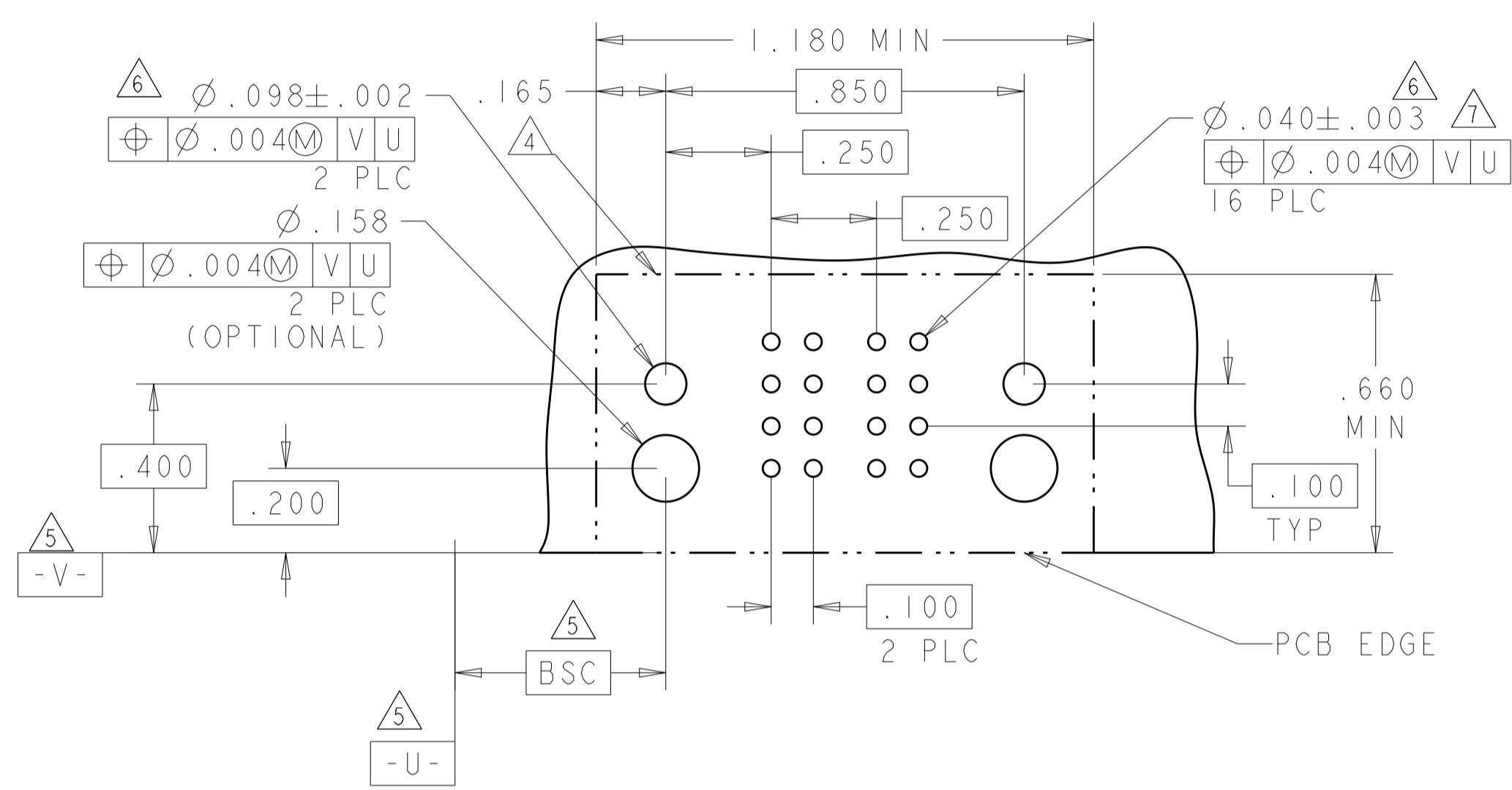
| | |
|---------------|-------------|
| PM | .135 |
| CODE | TAIL LENGTH |
| POWER CONTACT | |

| | | | | | | | |
|---|--|---|--|---|--|---|--|
| DIMENSIONS: INCHES 0 PLC ±.01 1 PLC ±.01 2 PLC ±.01 3 PLC ±.005 4 PLC ±.002 ANGLES ±.0020 | | TOLERANCES UNLESS OTHERWISE SPECIFIED: FINISH: | | DWG: R. GRZYBOWSKI CHK: M. PERCHERKE APVD: M. PERCHERKE PRODUCT SPEC: 108-1973 APPLICATION SPEC: 114-13038 WEIGHT: | | NAME: RIGHT ANGLE HEADER ASSEMBLY W/ LATCH RECIEVERS MULTI-BEAM XL SIZE: A1 CAGE CODE: 00779 DRAWING NO: 6450129 RESTRICTED TO: | |
| MATERIAL: | | | | Tyco Electronics Corporation Shanghai, P.R. 200233 | | | |
| CUSTOMER DRAWING | | | | SCALE: 4:1 SHEET 2 OF 4 REV: C1 | | | |

| LOC | DIST | REVISIONS | | | |
|-----|------|-------------|------|-----|------|
| P | LTH | DESCRIPTION | DATE | OWN | APVD |
| ES | 00 | SEE SHEET 1 | | | |

| PART NUMBER | ROWS | POWER | |
|-------------|------------------|-------|----|
| | | P1 | P2 |
| 6450129-7 | D C B A | PM | PM |
| 2P | | HD | HD |

| PART NUMBER | ROWS | POWER | | |
|-------------|------------------|-------|----|----|
| | | P1 | P2 | P3 |
| 6450129-8 | D C B A | PM | PM | PM |
| 3P | | HD | HD | HD |



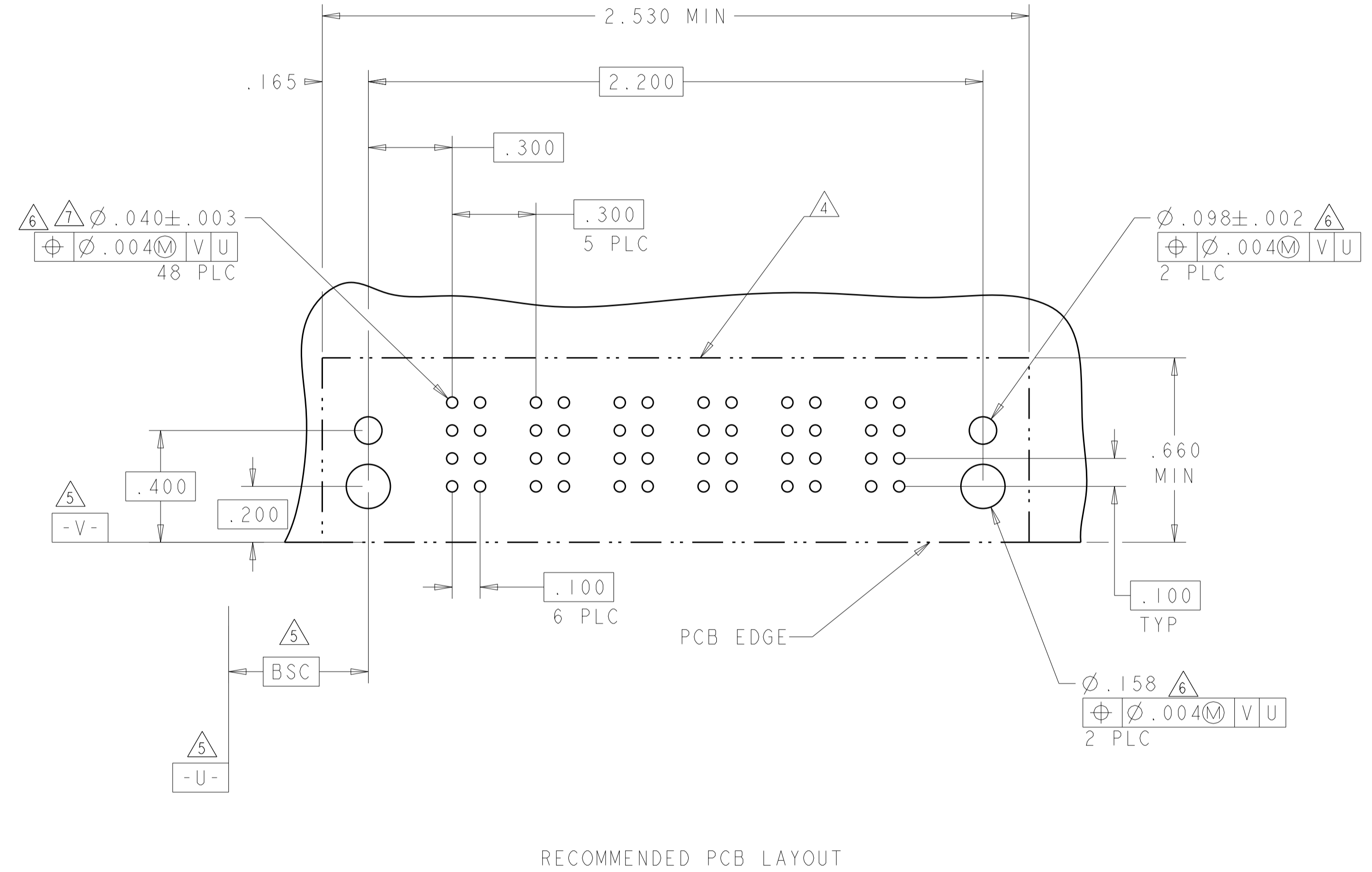
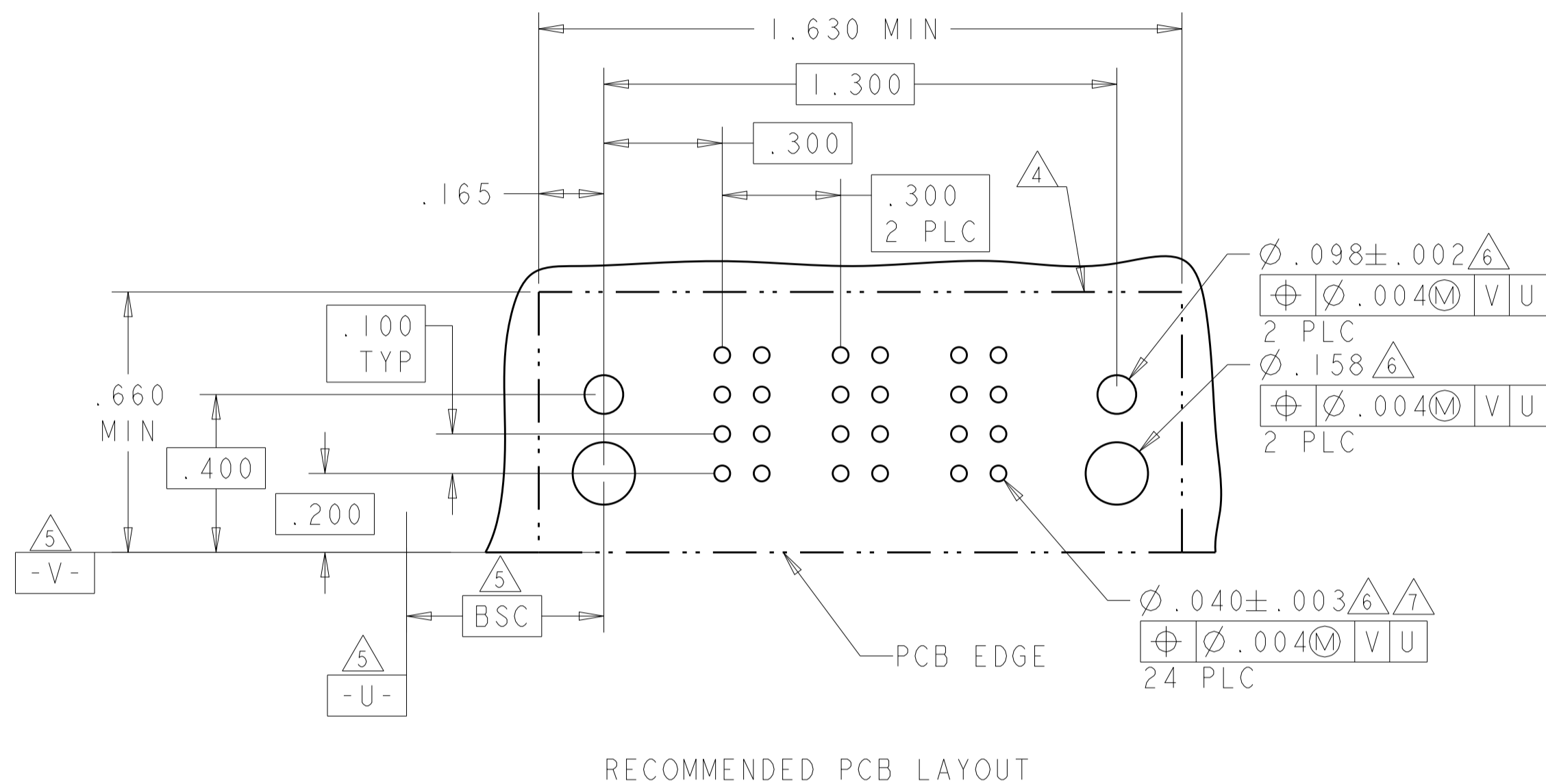
| PART NUMBER | ROWS | POWER | | | | | | | |
|-------------|------------------|-------|----|----|----|----|----|----|----|
| | | P1 | P2 | P3 | P4 | P5 | P6 | P7 | P8 |
| 6450129-9 | D C B A | PM | PM | PM | PM | PM | PM | PM | PM |
| 8P | | HD | | | | | | | HD |

| | | | | |
|---|--|--|---|--|
| <small>THIS DRAWING IS UNPUBLISHED. RELEASED FOR PUBLICATION. IT IS THE PROPERTY OF TYCO ELECTRONICS CORPORATION. IT IS SUBJECT TO CHANGE AND WITHOUT WARRANTY. REVISIONS AND REVISIONS ORGANIZATION SHOULD BE CONTACTED FOR THE LATEST REVISION.</small> | | DWN: R. GRZYBOWSKI CHK: M. PERCHERKE APVD: M. PERCHERKE | I1FEB05 I1FEB05 NAME: | Tyco Electronics Tyco Electronics Corporation Shanghai, P.R. 200233 |
| DIMENSIONS: INCHES | TOLERANCES UNLESS OTHERWISE SPECIFIED: 0 PLC ±. 1 PLC ±.01 2 PLC ±.01 3 PLC ±.005 4 PLC ±.002 ANGLES ±.020 | PRODUCT SPEC: 108-1973 APPLICATION SPEC: 114-13038 WEIGHT: | SIZE: A1 CAGE CODE: 00779 DRAWING NO: 6450129 | RESTRICTED TO: |
| MATERIAL: | | CUSTOMER DRAWING | | SCALE: 4:1 SHEET: 3 OF 4 REV: C1 |

| LOC | DIST | REVISIONS | | | |
|-----|------|-------------|------|-----|------|
| P | LTH | DESCRIPTION | DATE | DMN | APVD |
| ES | 00 | SEE SHEET 1 | | | |

| PART NUMBER | ROWS | POWER | | |
|-------------|------------------|-------|----|----|
| | | P1 | P2 | P3 |
| 1-6450129-0 | D C B A | PM | PM | PM |
| 3ACP | | HD | | HD |

| PART NUMBER | ROWS | POWER | | | | | |
|-------------|------------------|-------|----|----|----|----|----|
| | | P1 | P2 | P3 | P4 | P5 | P6 |
| 1-6450129-1 | D C B A | PM | PM | PM | PM | PM | PM |
| 6ACP | | HD | | | | | HD |



| | | | | |
|--|--|---|--|--|
| <small>THIS DRAWING IS UNPUBLISHED. RELEASED FOR PUBLICATION BY TYCO ELECTRONICS CORPORATION. ALL RIGHTS RESERVED.</small> | | DMN: R. GRZYBOWSKI CHK: M. PERCHERKE APVD: M. PERCHERKE | TITFEB05 TITFEB05 NAME: M. PERCHERKE | Tyco Electronics Corporation Shanghai, P.R. 200233 |
| DIMENSIONS: INCHES | TOLERANCES UNLESS OTHERWISE SPECIFIED: 0 PLC ±. 1 PLC ±.01 2 PLC ±.01 3 PLC ±.005 4 PLC ±.0020 ANGLES ±.2° | PRODUCT SPEC: 108-1973 APPLICATION SPEC: 114-13038 | SIZE: A CAGE CODE: 00779 DRAWING NO: 6450129 | RESTRICTED TO: - SCALE: 4:1 SHEET: 4 OF 4 REV: C1 |
| MATERIAL: - FINISH: - | | WEIGHT: - CUSTOMER DRAWING | | |