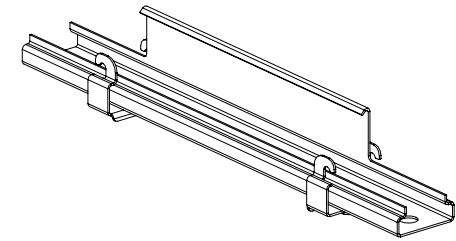
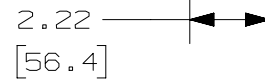
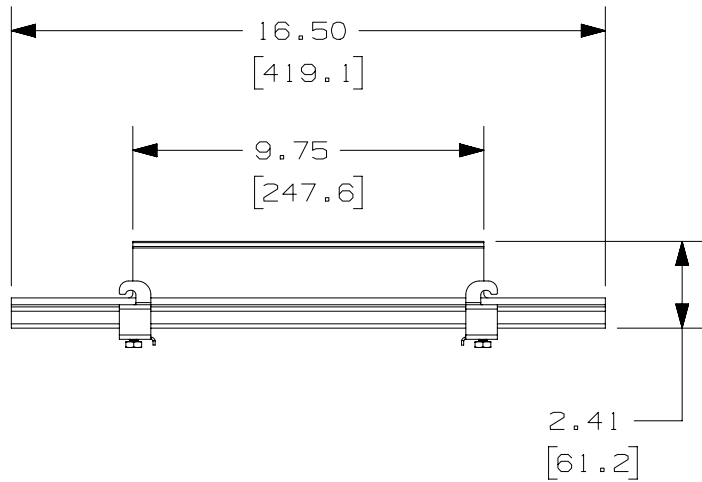
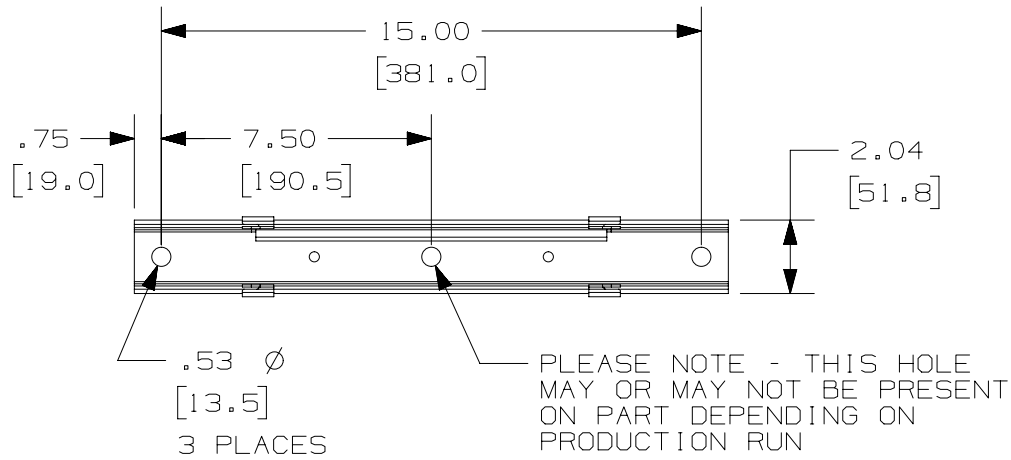


THIS COPY IS PROVIDED ON A RESTRICTED BASIS AND IS NOT TO BE USED IN ANY WAY DETRIMENTAL TO THE INTERESTS OF PANDUIT CORP.



PANDUIT PART NUMBER	WEIGHT
WGTBS12	1.53 LBS (694 g)

NOTES:

- SEE CURRENT CATALOG FOR PART NUMBER DESIGNATION FOR TYPE AND COLOR.
- EACH PACKAGE CONSISTS OF:
 (1) WYR-GRID TRAPEZE BRACKET
 (2) WYR-GRID TRAPEZE BRACKET CLIPS
 (3) 1/4-20 X 3/8 HEX HEAD CAP SCREWS
- WYR-GRID TRAPEZE BRACKETS SUPPORT WYR-GRID PATHWAY SUSPENDED FROM 1/2" (M12) THREADED RODS.
- DIMENSIONS IN PARENTHESES ARE METRIC

REV	DATE	BY	CHK	APR	DESCRIPTION	ECN
01A	3-09-15	PBS	DWR		ADDED CENTER MOUNTING HOLE AND NOTE	V09000HH
R	06-17-13	SSP	DWW	RN	RELEASED TO PRODUCTION	12D345AA-DC

TITLE				WYR-GRID TRAPEZE BRACKET 12" (WGTBS12)							
				CUSTOMER DRAWING							
ITEM REVISION NAME				12D345AA/01							
DATASET FILE NAME				12D345AA_DC/01A							
UNLESS OTHERWISE SPECIFIED, DIMENSIONAL TOLERANCES ARE: IN (mm)											
.X ± .xxx ± .xx ± .05 [1.3] ANGLES ±											
DRAWN BY				DATE		CHK		SCALE		MATERIAL:	
SSP		06-17-13		DWW		NONE		STEEL		DRAWING NUMBER:	
				THIRD ANGLE PROJECTION				12D345AA-DC			
SHT 1 OF 1				A							