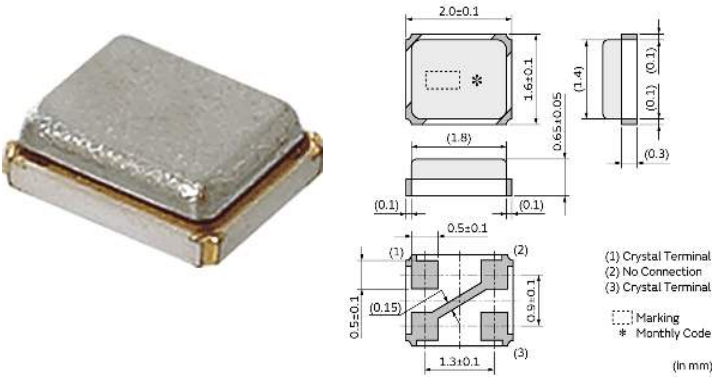


XRCGB24M000F2C01R0



Appearance & Shape



Features

The crystal unit for automotive electronics that realized small package and highly accurate frequency.

Applications

Automotive Usage	Infotainment
Limited Usage	For Comfort / Security

Packaging Information

Packaging	Specifications	Standard Packing Quantity
R0	180mm Plastic Tape	3000

Attention
1.This datasheet is downloaded from the website of Murata Manufacturing Co., Ltd. Therefore, it's specifications are subject to change or our products in it may be discontinued without advance notice. Please check with our sales representatives or product engineers before ordering.
2.This datasheet has only typical specifications because there is no space for detailed specifications.
Therefore, please review our product specifications or consult the approval sheet for product specifications before ordering.

XRCGB24M000F2C01R0



Specifications

Product Type	Crystal Unit
Series	XRCGB
Type	HCR2016
Frequency	24.0000MHz
Frequency Tolerance	+/-20ppm max. (25+/-3°C)
Operating Temperature Range	-40°C to 105°C
Frequency Shift by Temperature	+/-50ppm max.
Frequency Aging	+/-2ppm max./year
Equivalent Series Resistance (ESR)	120ohm max.
Drive Level (DL)	150μW (300μW max.)
Load Capacitance (Cs)	8pF
Shape	SMD
Wash	Not available
L x W (size)	2.0x1.6mm
Mass	6.9mg

Attention

1.This datasheet is downloaded from the website of Murata Manufacturing Co., Ltd. Therefore, it's specifications are subject to change or our products in it may be discontinued without advance notice. Please check with our sales representatives or product engineers before ordering.

2.This datasheet has only typical specifications because there is no space for detailed specifications.

Therefore, please review our product specifications or consult the approval sheet for product specifications before ordering.