

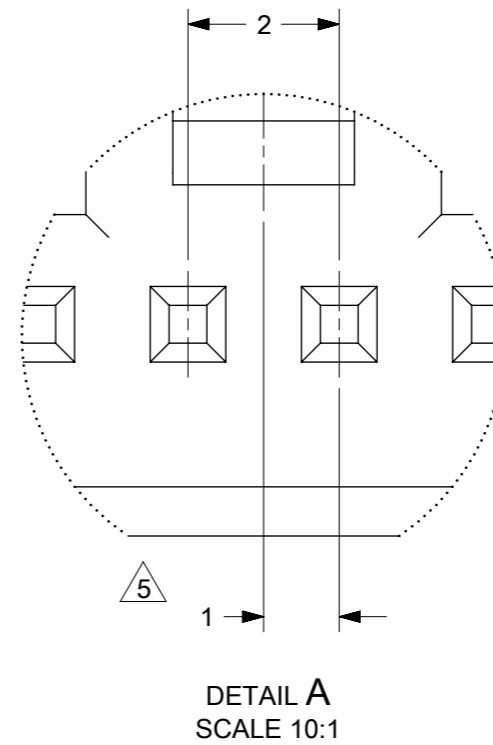
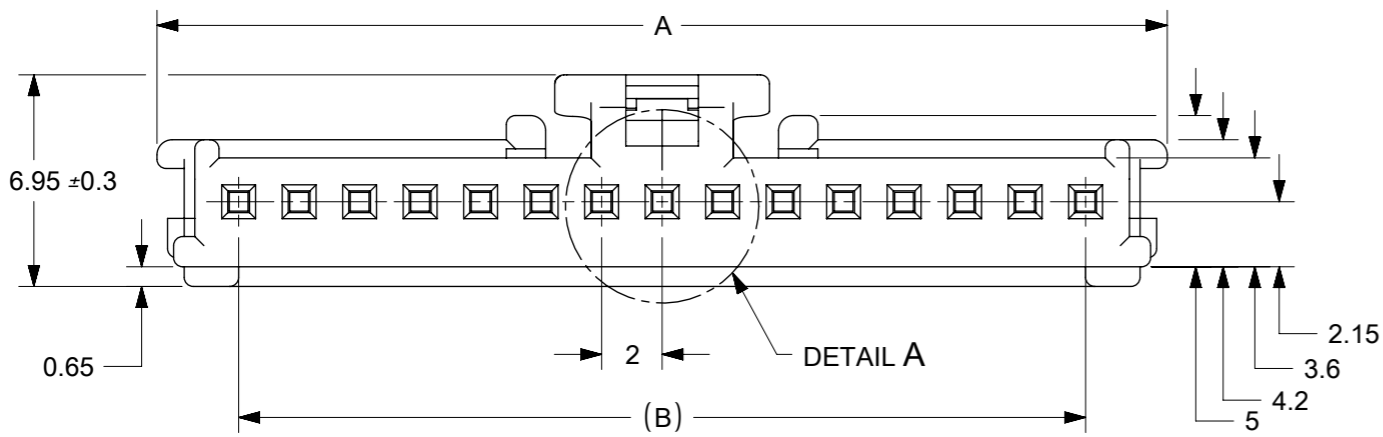
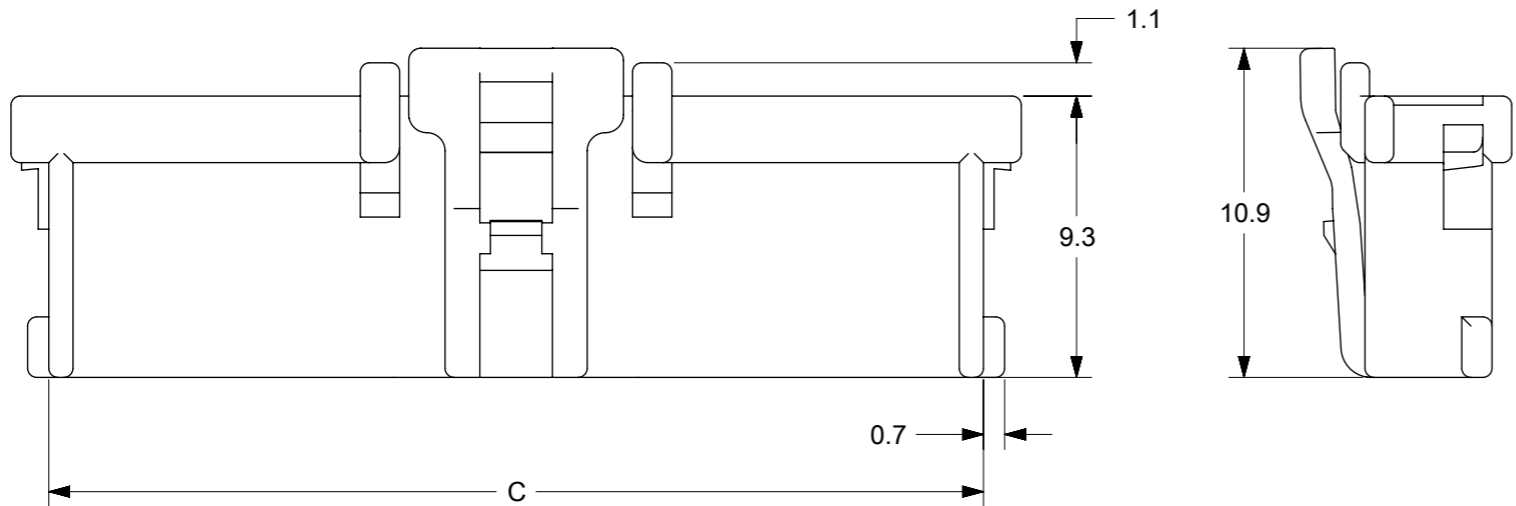
NOTES

- ① SIZE OF LETTERS 0.7 AND CLEAR.
- ② SIZE OF LETTERS 1 AND CLEAR
- 3. APPLICABLE TERM. : 59370,56134 SERIES.
- ④ MATE WITH : 55932,55935 SERIES.
- 5 APPLY EVEN CIRCUIT
- 6. MATERIAL : 66NYLON, UL94V-0
- 7. MATERIAL NO.

5138- X X X X

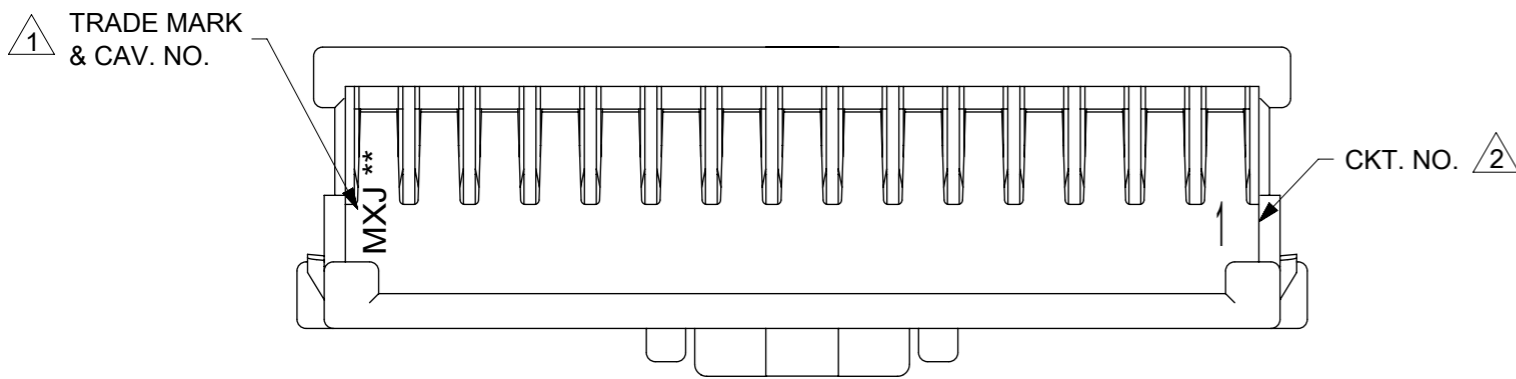
CKT                      COLOR

NATURAL (WHITE)	00
BLACK	01
RED	02
YELLOW	03
BLUE	04
PINK	05
GREEN	06
BROWN	07
ORANGE	08
VIOLET	09
GRAY	11
FLUORESCENCE YELLOW	13
PALE BLUE	14
① H2 YELLOWISH GREEN VO	16

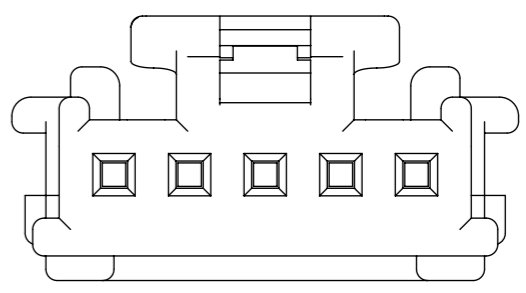
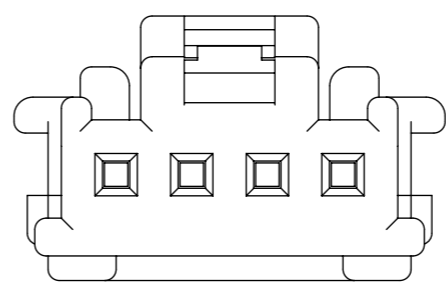
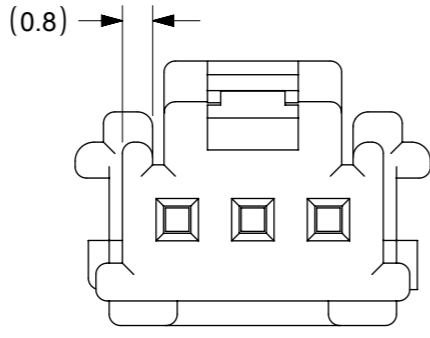
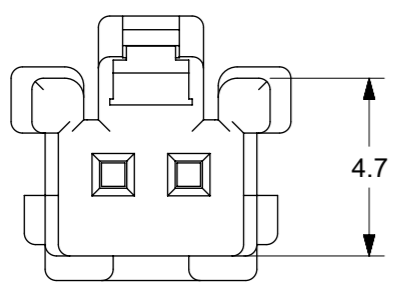
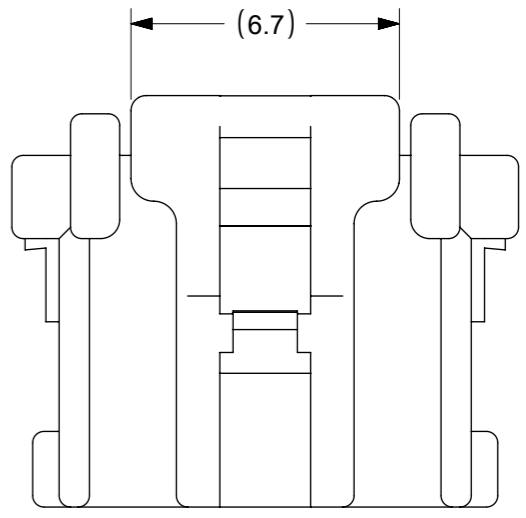
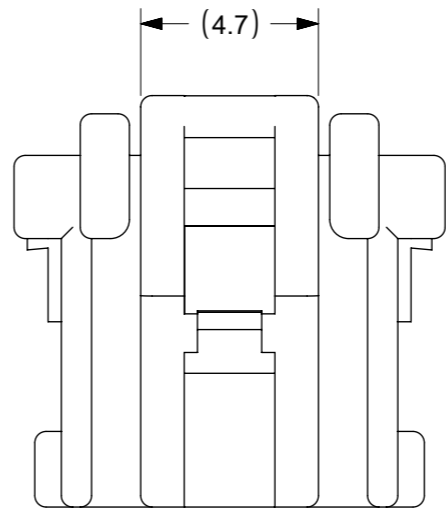
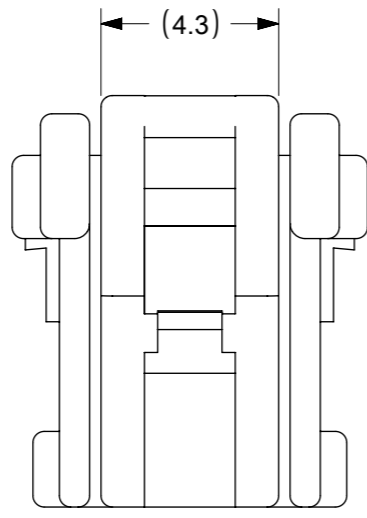
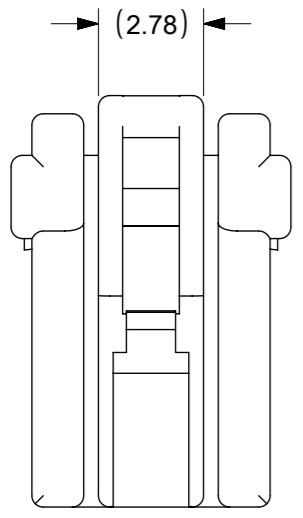
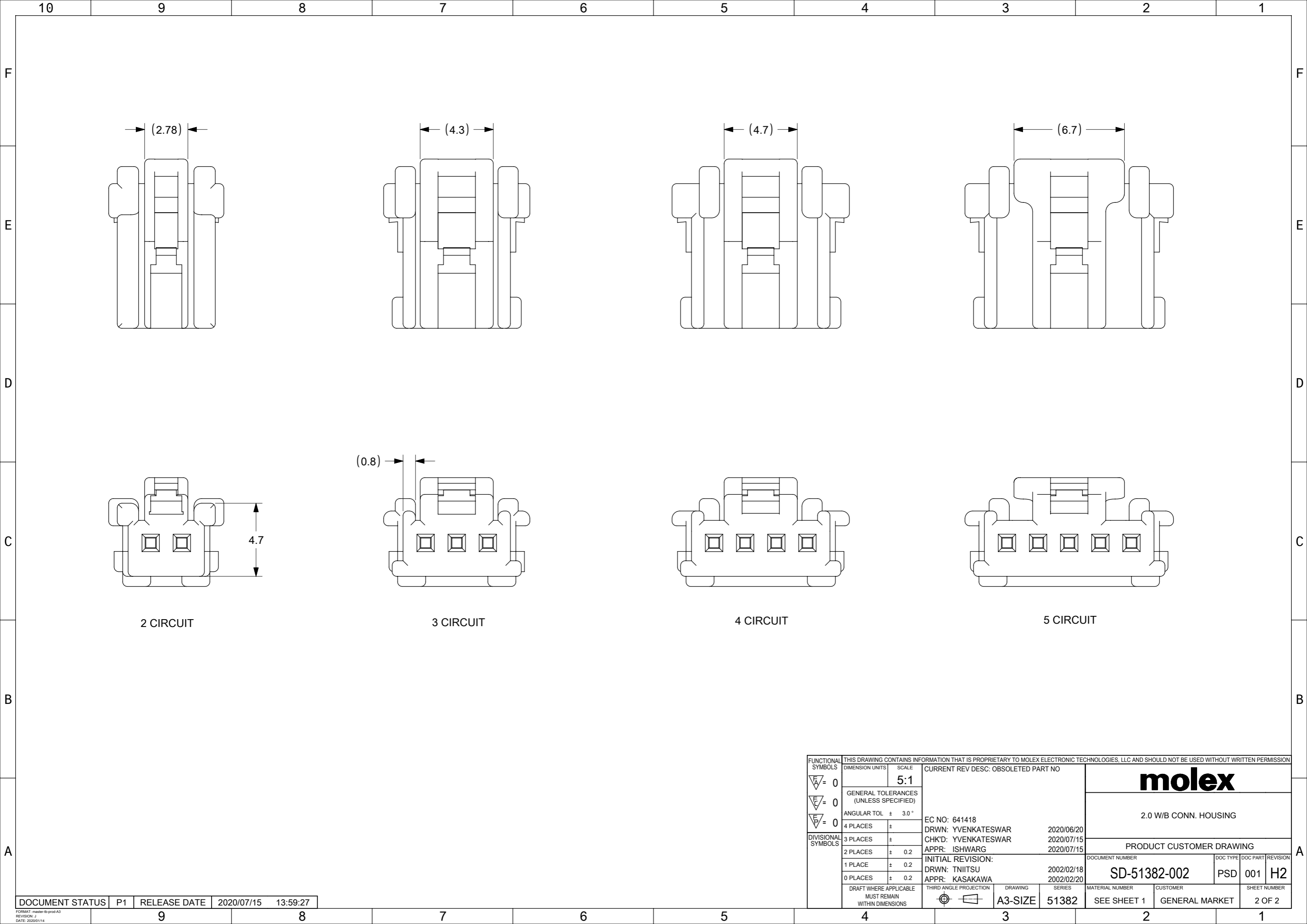


DETAIL A  
SCALE 10:1

CKT	MATERIAL NO.	A	B	C
2	51382-02XX	7.4	2	4.6
3	51382-03XX	9.4	4	6.9
4	51382-04XX	11.4	6	8.9
5	51382-05XX	13.4	8	10.9
6	51382-06XX	15.4	10	12.9
7	51382-07XX	17.4	12	14.9
8	51382-08XX	19.4	14	16.9
9	51382-09XX	21.4	16	18.9
10	51382-10XX	23.4	18	20.9
11	51382-11XX	25.4	20	22.9
12	51382-12XX	27.4	22	24.9
13	51382-13XX	29.4	24	26.9
14	51382-14XX	31.4	26	28.9
15	51382-15XX	33.4	28	30.9



FUNCTIONAL SYMBOLS ▽/A = 0 ▽/E = 0 ▽/V = 0	THIS DRAWING CONTAINS INFORMATION THAT IS PROPRIETARY TO MOLEX ELECTRONIC TECHNOLOGIES, LLC AND SHOULD NOT BE USED WITHOUT WRITTEN PERMISSION	CURRENT REV DESC: OBSOLETE PART NO		 2.0 W/B CONN. HOUSING	
	DIMENSION UNITS	SCALE	EC NO: 641418		
DIVISIONAL SYMBOLS	GENERAL TOLERANCES (UNLESS SPECIFIED)	DRWN: YVENKATESWAR 2020/06/20		PRODUCT CUSTOMER DRAWING	
	ANGULAR TOL ± 3.0 °	CHK'D: YVENKATESWAR 2020/07/15		DOCUMENT NUMBER	
	4 PLACES ±	APPR: ISHWARG 2020/07/15		DOC TYPE DOC PART REVISION	
	3 PLACES ±	INITIAL REVISION:		SD-51382-002	
	2 PLACES ± 0.2	DRWN: TNIITSU 2002/02/18		PSD 001 H2	
	1 PLACE ± 0.2	APPR: KASAKAWA 2002/02/20		MATERIAL NUMBER	
	0 PLACES ± 0.2	DRAFT WHERE APPLICABLE MUST REMAIN WITHIN DIMENSIONS		CUSTOMER	
		THIRD ANGLE PROJECTION	DRAWING	SERIES	SHEET NUMBER
			A3-SIZE	51382	1 OF 2



2 CIRCUIT

3 CIRCUIT

4 CIRCUIT

5 CIRCUIT

FUNCTIONAL SYMBOLS	THIS DRAWING CONTAINS INFORMATION THAT IS PROPRIETARY TO MOLEX ELECTRONIC TECHNOLOGIES, LLC AND SHOULD NOT BE USED WITHOUT WRITTEN PERMISSION	CURRENT REV DESC: OBSOLETE PART NO		<b>molex</b>		
	DIMENSION UNITS	SCALE	2.0 W/B CONN. HOUSING			
$\nabla_A = 0$	GENERAL TOLERANCES (UNLESS SPECIFIED)	5:1	EC NO: 641418		2020/06/20	
$\nabla_B = 0$	ANGULAR TOL $\pm 3.0^\circ$		DRWN: YVENKATESWAR		2020/07/15	
$\nabla_C = 0$	4 PLACES $\pm$		CHK'D: YVENKATESWAR		2020/07/15	
DIVISIONAL SYMBOLS	3 PLACES $\pm$		APPR: ISHWARG		2020/07/15	
	2 PLACES $\pm 0.2$		INITIAL REVISION:		DOCUMENT NUMBER	
	1 PLACE $\pm 0.2$		DRWN: TINIITSU		SD-51382-002	
	0 PLACES $\pm 0.2$		APPR: KASAKAWA		PSD 001 H2	
	DRAFT WHERE APPLICABLE MUST REMAIN WITHIN DIMENSIONS	THIRD ANGLE PROJECTION	DRAWING	SERIES	MATERIAL NUMBER	CUSTOMER
			A3-SIZE	51382	SEE SHEET 1	GENERAL MARKET
						SHEET NUMBER
						2 OF 2