

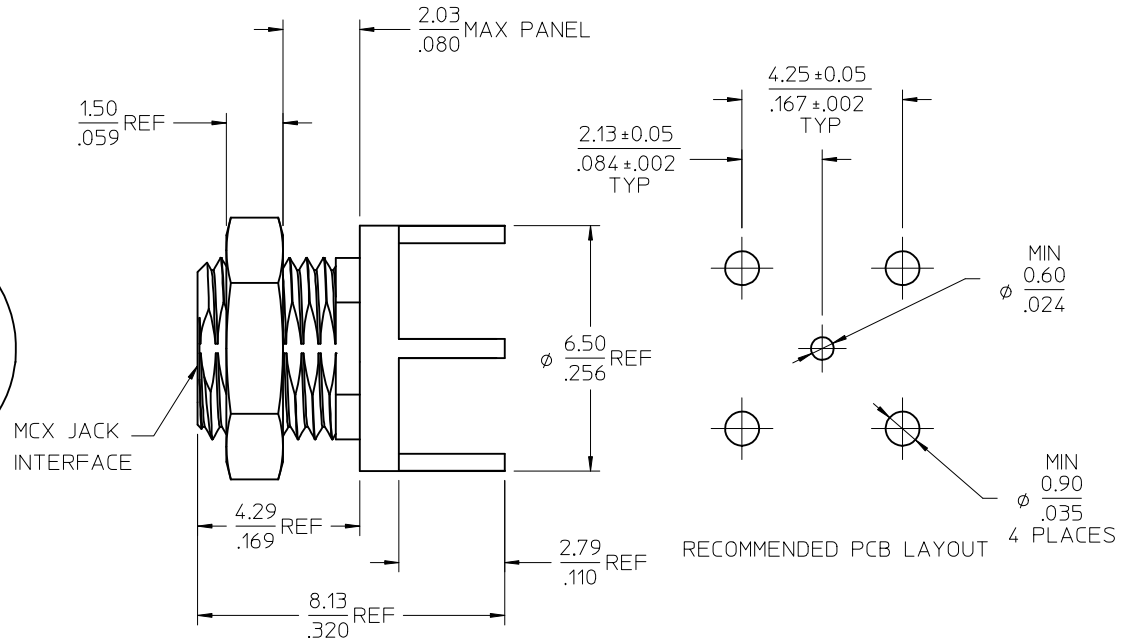
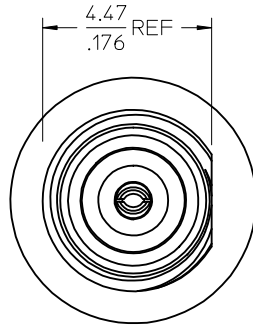
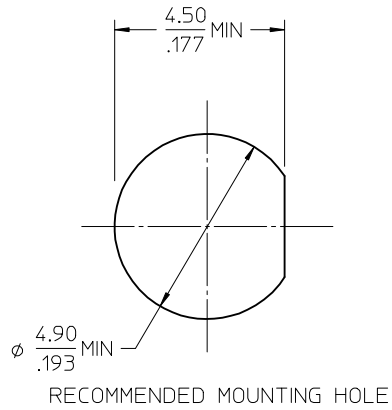
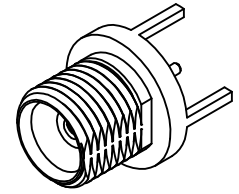
MATERIALS AND FINISHES

BODY: BRASS
PLATED SEE TABLE

CENTER CONTACT: BERYLLIUM COPPER
PLATED GOLD

INSULATOR: TEFLON

NUT: BRASS
PLATED SEE TABLE



		73415-1043	P/N 73415-1040 EXCEPT NO HARDWARE, BULK PACK
		73415-1042	P/N 73415-1040, ONE PER BAG
PS-73598-0132	ELECTRO/MECH SPEC.	73415-1041	BODY/NUT NICKEL PLATED, BULK
ES-73599-0180	INTERFACE	73415-1040	BODY/NUT GOLD PLATED, BULK
SPECIFICATION	DESCRIPTION	PART NO.	PLATING AND PACKAGING

CHG: ADDED P/N 73415-1043 EC NO: URF2009-0675 2009/05/29 DRWN: WIENER 2009/05/29 CHKD: SHAH 2009/05/29 APPR: WIENER 2009/05/29	QUALITY SYMBOLS ▽=0 ▽=0	GENERAL TOLERANCES (UNLESS SPECIFIED) <table border="1"> <tr> <th></th> <th>mm</th> <th>INCH</th> </tr> <tr> <td>4 PLACES</td> <td>± ---</td> <td>± ---</td> </tr> <tr> <td>3 PLACES</td> <td>± ---</td> <td>± ---</td> </tr> <tr> <td>2 PLACES</td> <td>± ---</td> <td>± ---</td> </tr> <tr> <td>1 PLACE</td> <td>± ---</td> <td>± ---</td> </tr> </table> ANGULAR ± 2 °		mm	INCH	4 PLACES	± ---	± ---	3 PLACES	± ---	± ---	2 PLACES	± ---	± ---	1 PLACE	± ---	± ---	DIMENSION STYLE MM/IN	SCALE DESIGN UNITS METRIC	THIRD ANGLE PROJECTION
				mm	INCH															
4 PLACES	± ---	± ---																		
3 PLACES	± ---	± ---																		
2 PLACES	± ---	± ---																		
1 PLACE	± ---	± ---																		
DRAWN BY TEF DATE 1999/02/17 CHECKED BY DHG DATE 1999/02/17 APPROVED BY GMH DATE 1999/02/17	TITLE MCX JACK VERT BKHD PCB 50 OHM MCX-J/PCB	MATERIAL NO. SEE TABLE	DOCUMENT NO. SD-73415-104	SHEET NO. 1 OF 1																

DRAFT WHERE APPLICABLE MUST REMAIN WITHIN DIMENSIONS

THIS DRAWING CONTAINS INFORMATION THAT IS PROPRIETARY TO MOLEX INCORPORATED AND SHOULD NOT BE USED WITHOUT WRITTEN PERMISSION