

PART NAME: BALL KNOB    SCALE: 1:1    DATE: 9/28/99    DR. BY TL

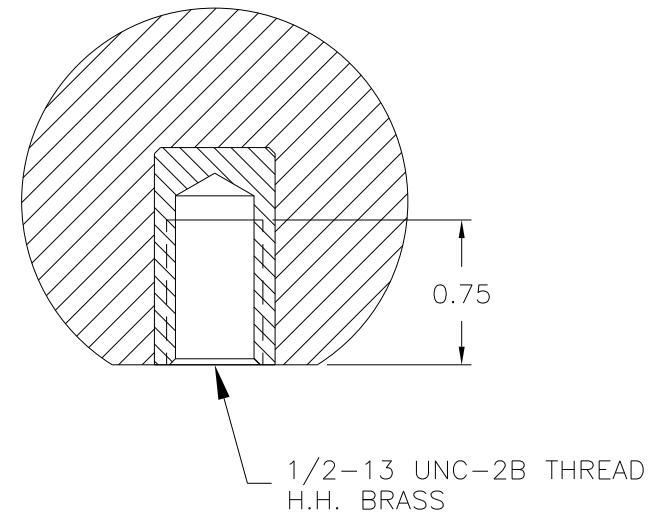
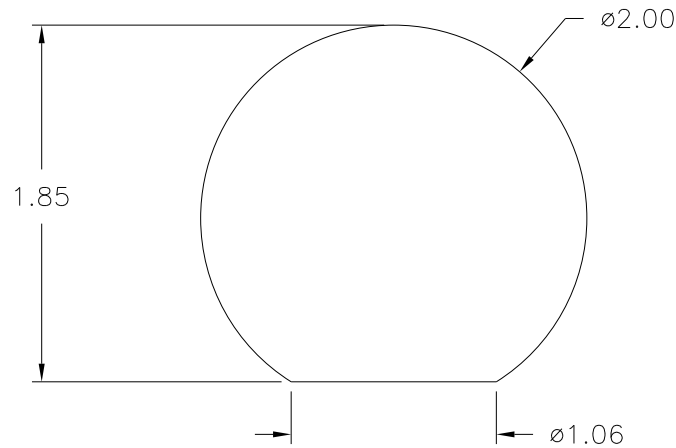
DAVIES MOLDING COMPANY  
CAROL STREAM, ILLINOIS 60188

P/N 0155-C

THIS DRAWING IS THE PROPERTY OF DAVIES MOLDING COMPANY, IS SUBMITTED SOLELY AS A DESIGN OR ENGINEERING PROJECT.  
WE ACCEPT NO RESPONSIBILITY WHATSOEVER FOR THE PRACTICAL APPLICATION OF THE PIECES MADE TO THIS DESIGN.

(A)

NOTE :  
(1) PARTING LINE TO BE BUFFED AND POLISHED.



(A)

MATERIAL: PHENOLIC  
COLOR: BLACK

|   |  |         |  |             |
|---|--|---------|--|-------------|
| TOLERANCES:<br>UNLESS OTHERWISE SPECIFIED     | DO NOT SCALE<br>DRAWING                  |         |  |             |
| DECIMALS: X.XXX $\pm$ .005<br>X.XX $\pm$ .015 | MM: X.XX $\pm$ 0.15MM<br>X.X $\pm$ 0.4MM | A       | REMOVED TOOLBOX,<br>"2311 PLENCO" ON<br>MATERIAL CALL-OUT,<br>& INSERT P/N | JAM 3/20/09 |
| FRACTIONS $\pm$ 1/64                          | ANG. $\pm$ 1°                            | CHANGES |  |             |