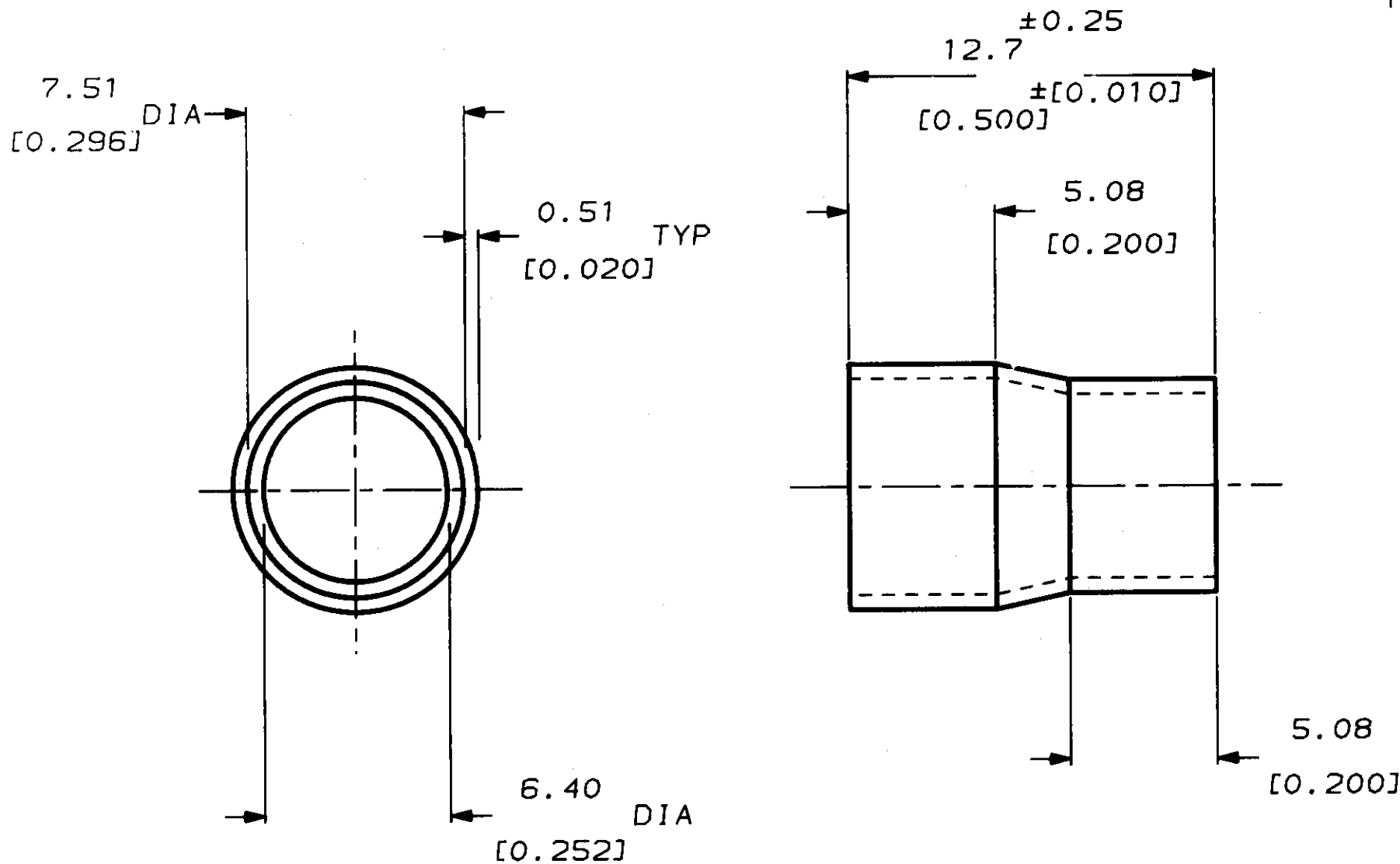


DRAWING MADE IN THIRD ANGLE PROJECTION

THIS DRAWING IS UNPUBLISHED. RELEASED FOR PUBLICATION, 19
 © COPYRIGHT 19 BY AMP INCORPORATED, HARRISBURG, PA. ALL INTERNATIONAL RIGHTS RESERVED. AMP PRODUCTS MAY BE COVERED BY U.S. AND FOREIGN PATENTS AND/OR PATENTS PENDING.

1 LOC *BD* DIST 50

| REVISIONS | | | | | | |
|-----------|---|------|-----|---------------------|---------|-----------|
| P | F | ZONE | LTR | DESCRIPTION | DATE | APPROVED |
| | | | A | REVISED PER AF0305 | 4/23/84 | <i>CS</i> |
| | | | B | REVISED PER AF0372 | 7/22/84 | <i>SS</i> |
| | | | C | RELEASED PER P.A.R. | 8/28/84 | <i>SS</i> |
| | | | D | REV PER AF 424 | 12/1/84 | <i>dr</i> |



- 1 DIMENSIONS IN BRACKETS ARE IN INCHES
- 2 INSULATION RANGE: 6.25-5.13 [0.246-0.202]

520437-1

PART NO

| | | | | |
|---|--------------------------|--------------------------|--|------------|
| UNLESS OTHERWISE SPECIFIED DIMENSIONS ARE IN DECIMALS INCHES. TOLERANCES ON: DECIMALS ± 0.00 [0.013] ANGLES ± | CONTRACT NO | | AMP AMP INCORPORATED Harrisburg, Pa. | |
| | DR | <i>J. Schaff</i> 4/2/84 | | |
| | MATERIAL | CHK | NAME | |
| | COPPER | <i>G. Yelton</i> 4/12/84 | SDL FERRULE STYLE B (8 POSITION) | |
| FINISH | APPD | SIZE | FSCM NO | DRAWING NO |
| BRIGHT TIN | <i>Jim Poutin</i> 1/8/84 | B | 00779 | 520437 |
| | APPD | SCALE | SHEET | |
| | <i>C. Rohde</i> 8-30-84 | | | |
| | DSGN APPD | | | |
| | OTHER APPD | | | |