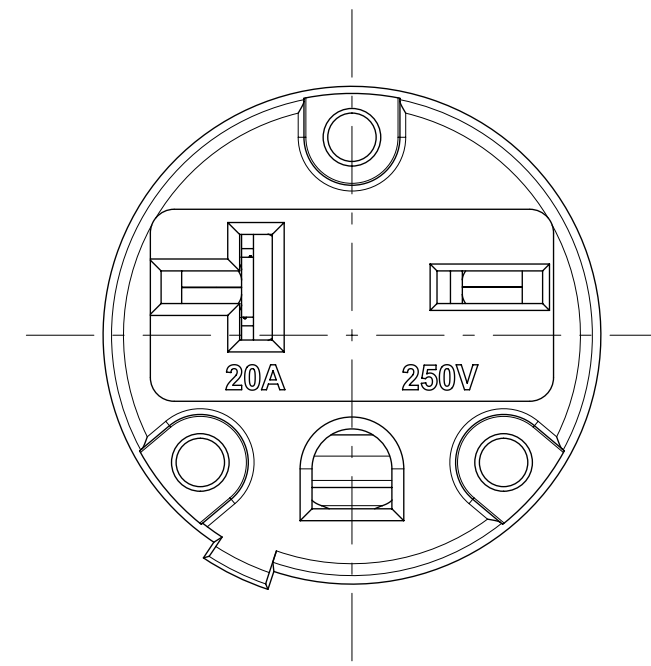
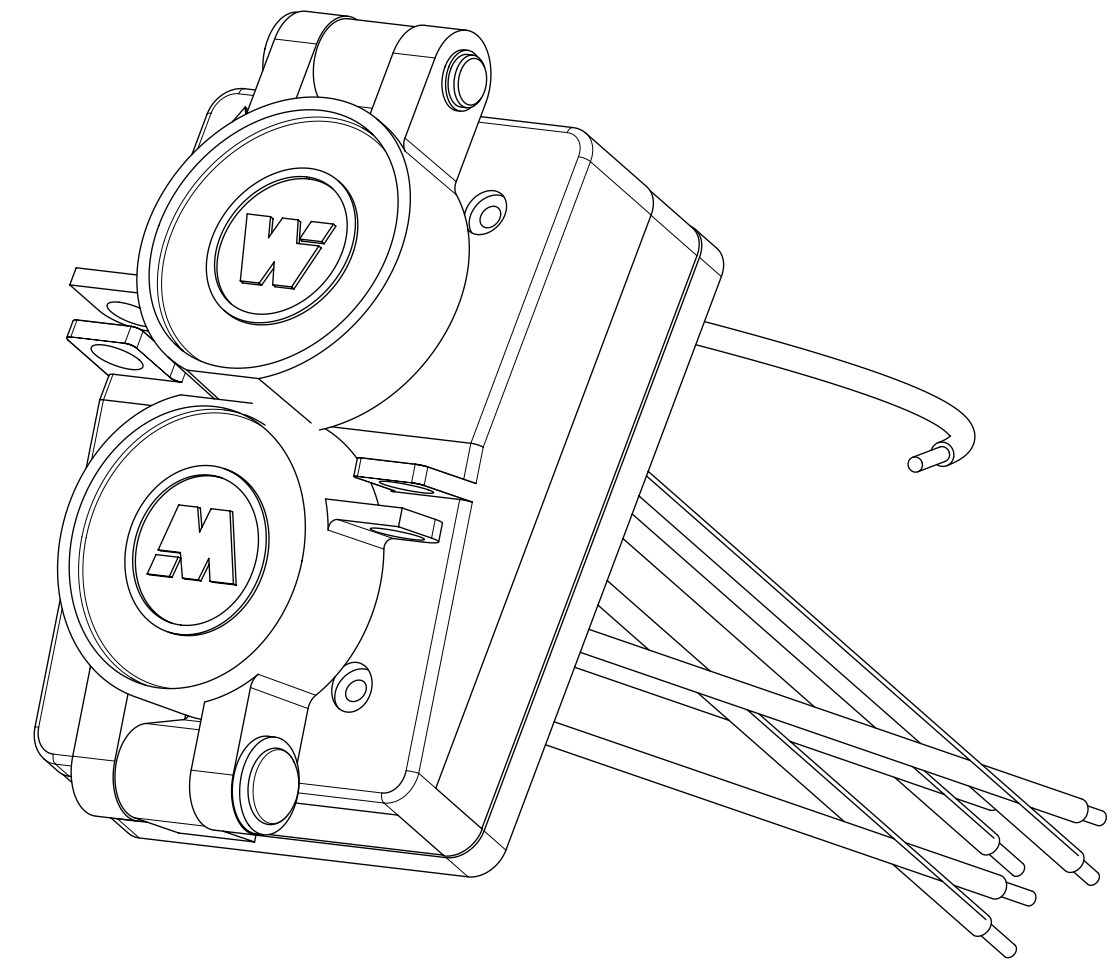
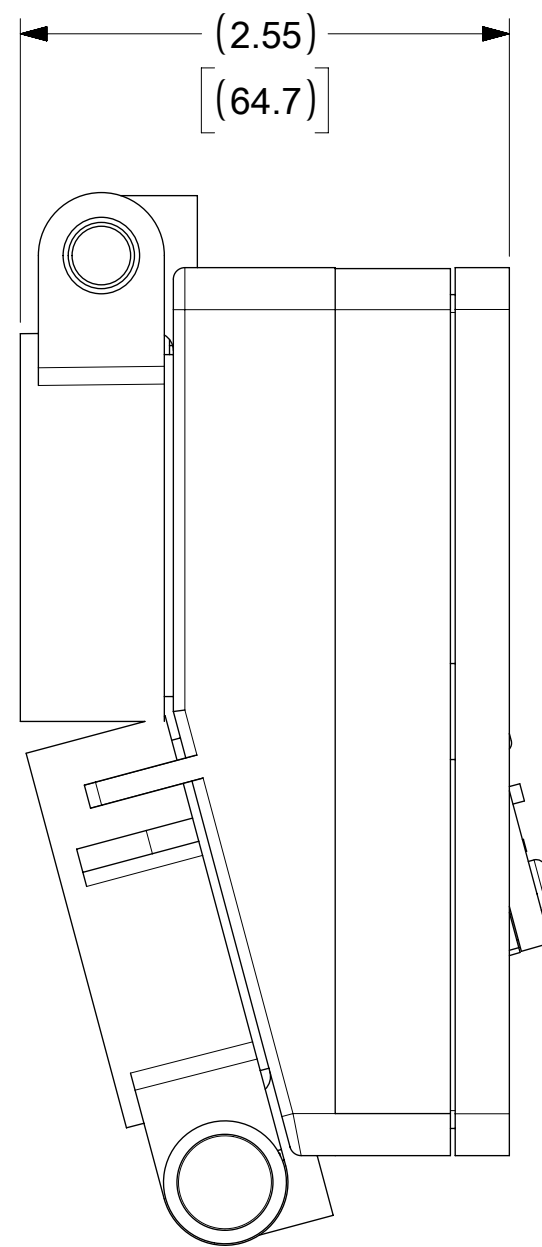
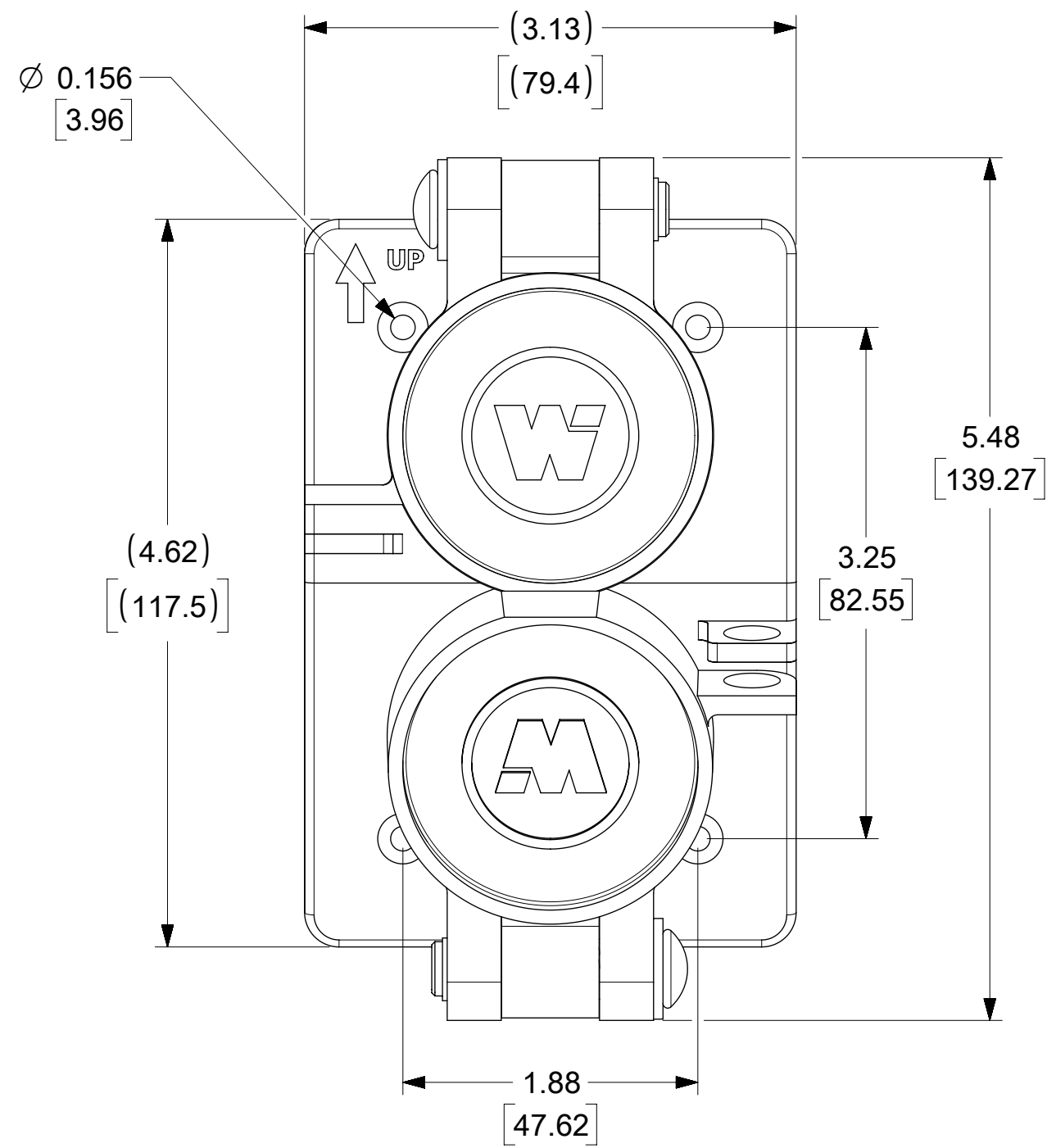
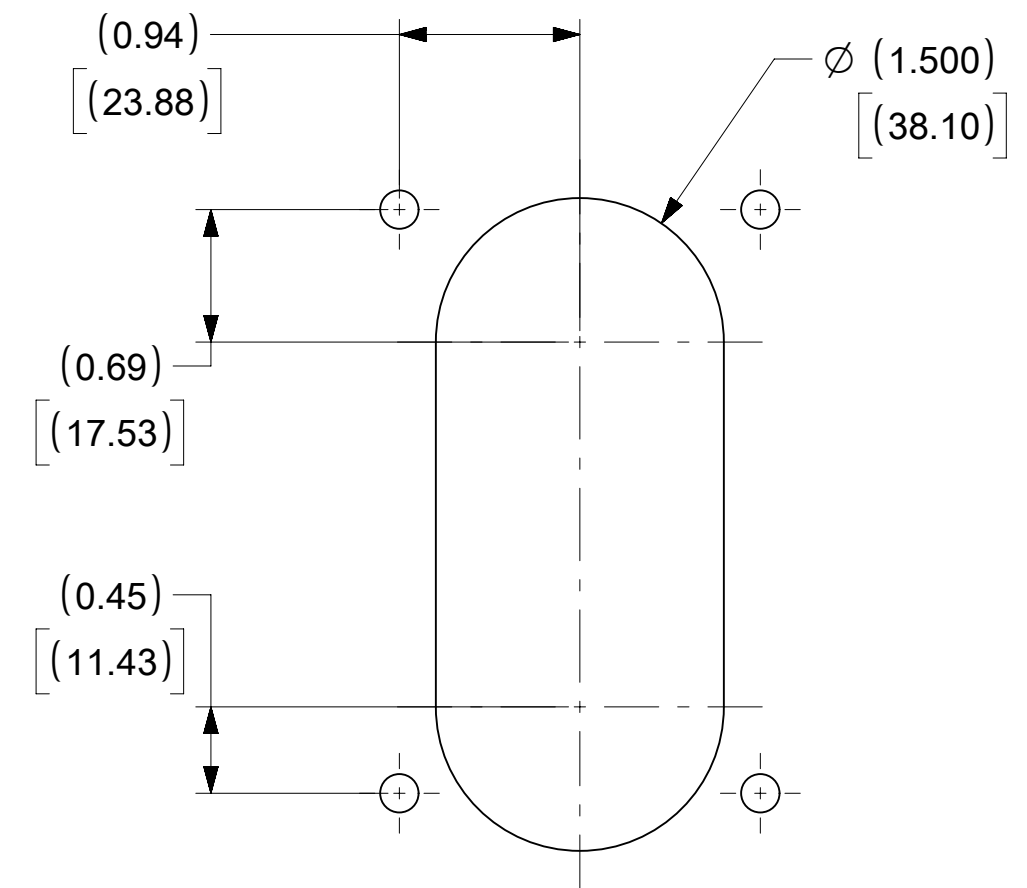


ORDER NO.	WOODHEAD NO.	COLOR
130146-0135	60W48DPLX	YELLOW



FACE VIEW



CLEARANCE HOLE (FOR PANEL MOUNT)

DESCRIPTION	MATERIAL	QTY.
RETAINING SCREWS	STAINLESS STEEL	6
INSERT ASSY	NYLON, BRASS, NICKEL & ZINC PLATED	2
GASKET	NEOPRENE	1
BASE PLATE	POLYCARBONATE	1
COVER FLIP LID	POLYCARBONATE	2
COVER PLATE	STAINLESS STEEL	1
SCREW (GROUND WIRE)	STAINLESS STEEL	1
FLAT WASHER	STAINLESS STEEL	2
RIVET	ALUMINUM	2
TORSION SPRING	STAINLESS STEEL WIRE	2
WASHER	STAINLESS STEEL	2
DOME PUSH CAP	STAINLESS STEEL	2
JUMPER WIRE ASSY	COPPER, BRASS (TINNED FINISH)	1
#12-1 BLACK WIRE	COPPER WIRE	2
#12-1 RED WIRE	COPPER WIRE	2
#12-1 GREEN WIRE	COPPER WIRE	2

THIS DRAWING CONTAINS INFORMATION THAT IS PROPRIETARY TO MOLEX ELECTRONIC TECHNOLOGIES, LLC AND SHOULD NOT BE USED WITHOUT WRITTEN PERMISSION											
SYMBOLS		DIMENSION UNITS		SCALE		CURRENT REV DESC: MIGRATE TO NX/ECTR					
▽ = 0	INCH	MM	NTS			EC NO: 613506					
▽ = 0	GENERAL TOLERANCES (UNLESS SPECIFIED)					DRWN: SRPATIL		2019/01/04			
▽ = 0						CHK'D: DNGUYEN62		2019/03/12			
▽ = 0						APPR: HKNEELAND		2019/03/13			
▽ = 0						INITIAL REVISION:					
▽ = 0						DRWN: SRPATIL		2019/01/04			
▽ = 0						APPR: HKNEELAND		2019/03/13			
▽ = 0	ANGULAR TOL			°		THIRD ANGLE PROJECTION		DRAWING		SERIES	
▽ = 0	DRAFT WHERE APPLICABLE MUST REMAIN WITHIN DIMENSIONS					C-SIZE		130146		MATERIAL NUMBER	
										CUSTOMER	
										SHEET NUMBER	
										1 OF 1	

**molex**

WATERTITE FD DOUBLE COVERPLATE 2P3W 6-20

PRODUCT CUSTOMER DRAWING

DOCUMENT NUMBER	DOC TYPE	DOC PART	REVISION
1301460135	PSD	000	A

MATERIAL NUMBER	CUSTOMER	SHEET NUMBER
SEE TABLE	GENERAL MARKET	1 OF 1