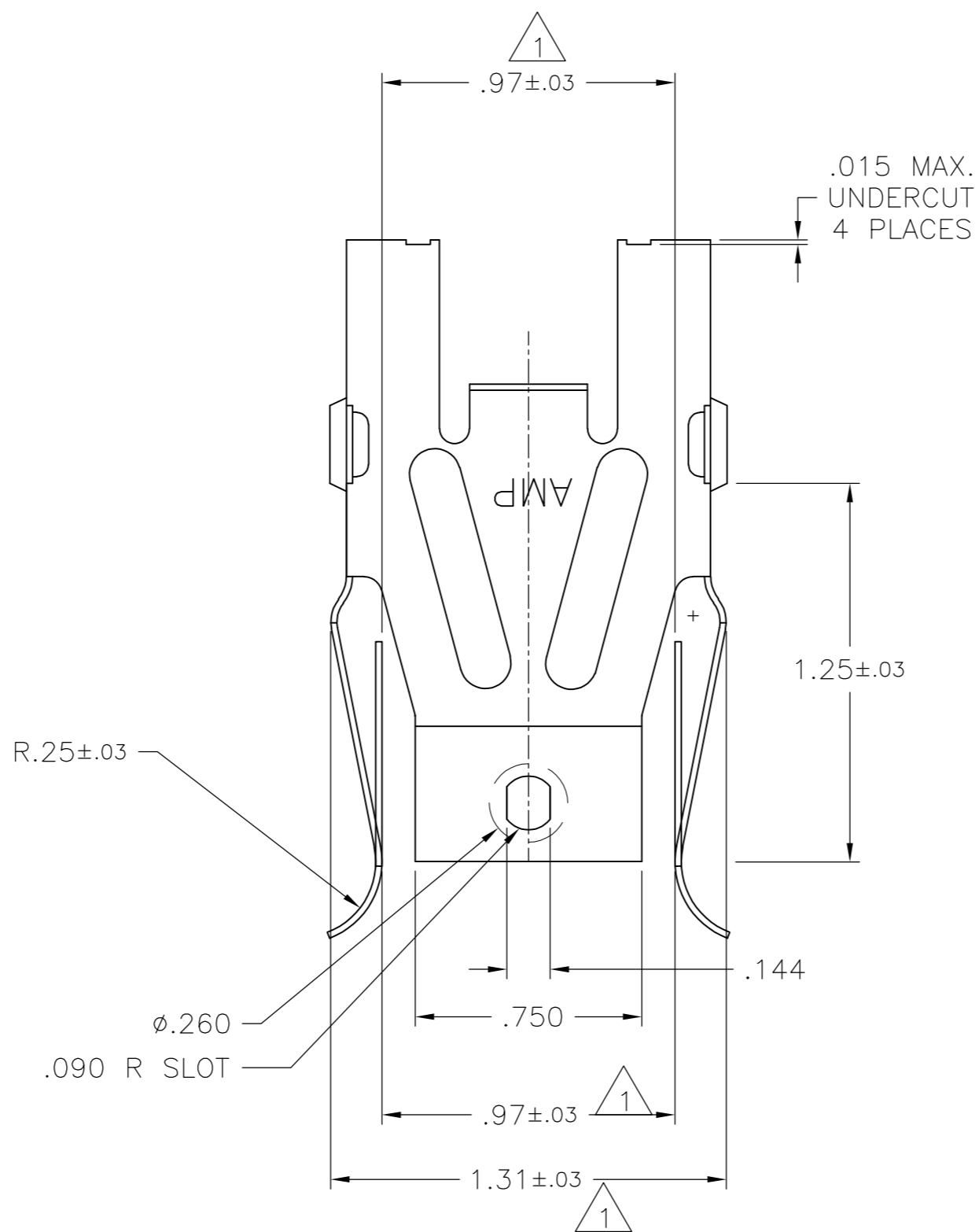
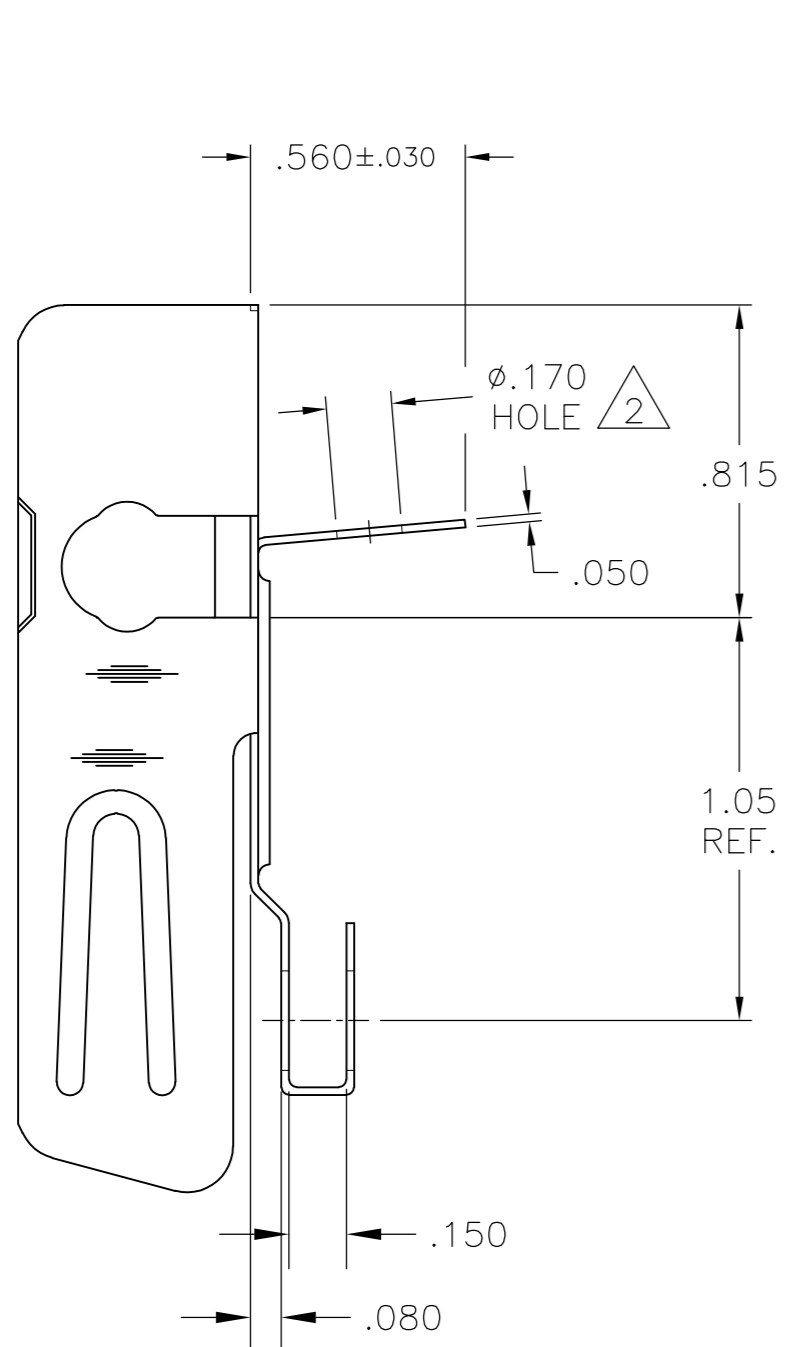
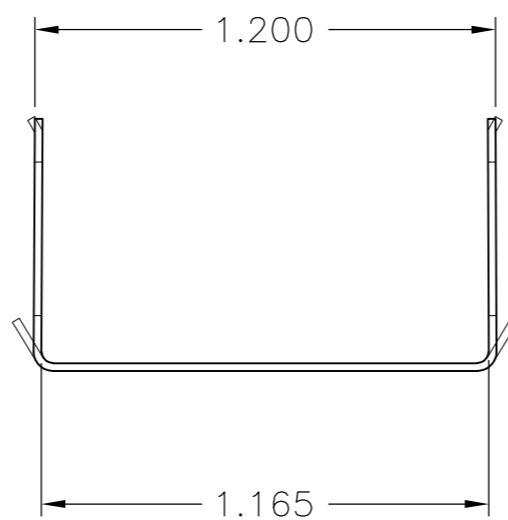


THIS DRAWING IS UNPUBLISHED. RELEASED FOR PUBLICATION
 © COPYRIGHT BY TYCO ELECTRONICS CORPORATION. ALL RIGHTS RESERVED.

LOC	DIST	REVISIONS					
AF	15	P	LTR	DESCRIPTION	DATE	DWN	APVD
		M1		REVISED PER ECR-08-006534	04APR08	HMR	GJ
		M2		REVISED PER ECR-15-017388	09DEC15	JJ	TD

- △1 DIMENSIONS TO BE CHECKED WHEN SIDES ARE PARALLEL WITH 1.165 DIMENSIONS
- △2 FOR 10-32 MACHINE SCREW
- △3 SUPERSEDED BY 640750-1.



△3 OBSOLETE 643323-1
 PART NO

THIS DRAWING IS A CONTROLLED DOCUMENT.		DWN 14SEP06 RAGHAVENDRA	Tyco Electronics Corporation Harrisburg, PA 17105-3608	
DIMENSIONS: INCHES		CHK D.F. DECKER	NAME	
TOLERANCES UNLESS OTHERWISE SPECIFIED:		APVD D.F. DECKER	CLIP, LOOSE PIECE, HEAVY DUTY BURNER CONNECTOR	
0 PLC ± -		PRODUCT SPEC	SIZE A2	CAGE CODE 00779
1 PLC ± -		APPLICATION SPEC	DRAWING NO C=643323	RESTRICTED TO
2 PLC ± -		114-1028	SCALE 2:1	SHEET 1 of 1
3 PLC ± .010		WEIGHT -	REV M2	
4 PLC ± -		CUSTOMER DRAWING		
ANGLES ± -				
FINISH -				