



FWA020 Class I

20 Watt ITE Desktop Power Supply

- High Efficiency
- Fully Regulated DC Output
- 5-Year Limited Warranty
- Hold-up Time>18ms at full load
- Safety Approval-EN60950-1 Class I
- Level V, EuP Directive Compliant
- LED Indicator

Overview

Over the later part of 2015, we will be changing the way we sell ITE power supplies thru distribution to no longer include AC cords with the units. During this time of transition you find both versions available for sale. They can be distinguished by the part number, parts ending in -10B will include a cord in the box, parts ending in -10A will not include a cord. If you distributor has not already made a recommendation on a cord, please do not hesitate to ask us for assistance.

| Elpac Part Number | Output Voltage | Output Current | Peak Current | Total Regulation | Typical Efficiency |
|-------------------|----------------|----------------|--------------|------------------|--------------------|
| FWA020005A-10B | 5.0V | 4.0A | 4.8A | +/-5% | 80% |
| FWA020005A-10A | 5.0V | 4.0A | 4.8A | +/-5% | 80% |
| FWA020009A-10B | 9.0V | 2.22A | 2.6A | +/-5% | 83% |
| FWA020009A-10A | 9.0V | 2.22A | 2.6A | +/-5% | 83% |
| FWA020012A-10B | 12.0V | 1.67A | 2.0A | +/-5% | 84% |
| FWA020012A-10A | 12.0V | 1.67A | 2.0A | +/-5% | 84% |
| FWA020024A-10B | 24.0V | 0.84A | 1.0A | +/-5% | 86% |
| FWA020024A-10A | 24.0V | 0.84A | 1.0A | +/-5% | 86% |

Input


| | |
|---------------------------------|----------------------------------|
| Input Voltage | 85-264VAC; 100-240VAC Nominal |
| Input Frequency | 47-63Hz |
| Input Current | <0.5A rms |
| Inrush Current | <50A @ 230VAC cold start |
| Zero Load Power Consumption | <0.3W |
| Earth Leakage Current (Typical) | <100µA @ 132VAC @ 60Hz (typical) |
| | <150µA @ 264VAC @ 60Hz (typical) |

Output

| | |
|-----------------------------|--|
| Output Voltage | See Model Overview Table |
| Total Regulation | +/-5% |
| Minimum Load | No minimum load required |
| Start-Up Delay | <1.5s |
| Hold-Up Time | >18ms at any input voltage |
| Ripple & Noise | <1% pk-pk** |
| Over Voltage Protection | 112-135% |
| Over Temperature Protection | Active - Recoverable; plus Passive - Non Recoverable |
| Over Current Protection | 108% - 180% |
| Short Circuit Protection | Shutdown, auto-restart (hiccup mode) |


| General | |
|---------------|--|
| Efficiency | Avg Efficiency 83.5% at 115VAC; 82.8% @ 230VAC |
| MTBF | min. 200,000 hours demonstrated |
| Size | 3.45" (87.7mm) x 2.04" (5.18mm) x 1.30" (33.0mm) |
| Weight | 5V 0.4lbs (0.2Kg); 24V 0.3 lbs (0.16Kg) |
| Power Density | 3.0 W/in ³ |

| Environmental | |
|-----------------------|---|
| Operating Temperature | 0 – 60°C (Full load to 40°C, derate linearly to 50% load at 60°C) |
| Storage Temperature | -40°C to +85°C |
| Relative Humidity | 5-95%, non-condensing |
| Cooling | Natural Convection |
| Vibration | All units production tested to 19.6m/s ² |

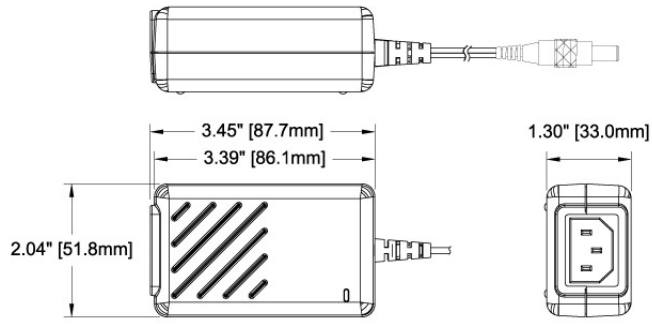
| EMC & Safety | |
|---|--|
| Emissions | FCC class B, CISPR22 class B EN61000-3-2, -3 |
| Immunity | EN61000-4-2, -3, -4, -5, -6, -8, -11 |
| Certified by TUV to the following: | cTUVus |
|  | UL 60950-1 |
| | CAN/CSA-22.2 No.950 |
| | CB per IEC60950-1 |
| | CE marked to LVD & EMC Directive |

| Input Configuration | |
|---------------------------------|------------------------|
| Standard Input Cable | Not Provided |
| Connection on Power Supply Body | IEC 320 C14 Receptacle |

| Output Configuration | |
|-----------------------|--|
| Standard Output Cable | 6 ft. |
| Cord Size | 16AWG zip (5V, 9V) 18AWG zip (12V) 20AWG zip (24V) |
| Connector (PSU side) | Switchcraft 760 or equivalent |
| Mating Connector | Switchcraft 712A or equivalent |

| Output Pin Assignments | |
|------------------------|---|
| |  |
| Center | +V1 |
| Outside | Return |

5V and 9V Model



12V and 24V Model

