

2-1241965-7 ✓ ACTIVE

[RAST](#) | [RAST 5 IDC Connectors](#)

TE Internal #: 2-1241965-7

Housing, Plug, Wire-to-Board, 7 Position, .197 in [5 mm] Centerline,
Crimp, 1 Row, Natural, Mating Retention, Wire & Cable, RAST 5
IDC Connectors

[View on TE.com >](#)



[Connectors](#) > [PCB Connectors](#) > [Wire-to-Board Connectors](#) > [Wire-to-Board Connector Assemblies & Housings](#)



Connector Product Type: **Housing**

Connector & Housing Type: **Plug**

Connector System: **Wire-to-Board**

Number of Positions: **7**

Centerline (Pitch): **5 mm [.197 in]**

Features

Product Type Features

Connector Product Type	Housing
Connector & Housing Type	Plug
Connector System	Wire-to-Board
Sealable	No
Connector & Contact Terminates To	Wire & Cable

Configuration Features

Keying & Polarized Rib Location	2b
Number of Positions	7
Number of Rows	1

Body Features

Primary Product Color	Natural
-----------------------	---------

Termination Features

Termination Method to Wire & Cable	Crimp
------------------------------------	-------



Mechanical Attachment

Locking Latch Between Cavity Number	1&2, 6&7
Strain Relief	Without
Panel Mount Feature	Without
PCB Mount Retention	Without
Mating Retention Type	Latch
Mating Retention	With
Connector Mounting Type	Cable Mount (Free-Hanging)

Housing Features

Housing Entry Configuration	Both Ends Closed
Housing Material	PA 6
Centerline (Pitch)	5 mm [.197 in]

Dimensions

Connector Length	25.5 mm [1 in]
Connector Height	13.9 mm [.547 in]

Usage Conditions

Operating Temperature Range	-40 – 105 °C [-40 – 221 °F]
-----------------------------	-----------------------------

Operation/Application

Circuit Application	Power & Signal
---------------------	----------------

Industry Standards

RAST Version	07-C
Glow Wire Rating	Glow Wire
UL Flammability Rating	UL 94V-2

Packaging Features

Packaging Quantity	1500
Packaging Method	Bag

Product Compliance

[For compliance documentation, visit the product page on TE.com>](#)

EU RoHS Directive 2011/65/EU	Compliant
EU ELV Directive 2000/53/EC	Compliant
China RoHS 2 Directive MIIT Order No 32, 2016	No Restricted Materials Above Threshold



EU REACH Regulation (EC) No. 1907/2006

Current ECHA Candidate List: JUNE 2023 (235)

Candidate List Declared Against: JUNE 2023 (235)

Does not contain REACH SVHC

Halogen Content

Not Low Halogen - contains Br or Cl > 900 ppm.

Solder Process Capability

Not reviewed for solder process capability

Product Compliance Disclaimer

This information is provided based on reasonable inquiry of our suppliers and represents our current actual knowledge based on the information they provided. This information is subject to change. The part numbers that TE has identified as EU RoHS compliant have a maximum concentration of 0.1% by weight in homogenous materials for lead, hexavalent chromium, mercury, PBB, PBDE, DBP, BBP, DEHP, DIBP, and 0.01% for cadmium, or qualify for an exemption to these limits as defined in the Annexes of Directive 2011/65/EU (RoHS2). Finished electrical and electronic equipment products will be CE marked as required by Directive 2011/65/EU. Components may not be CE marked. Additionally, the part numbers that TE has identified as EU ELV compliant have a maximum concentration of 0.1% by weight in homogenous materials for lead, hexavalent chromium, and mercury, and 0.01% for cadmium, or qualify for an exemption to these limits as defined in the Annexes of Directive 2000/53/EC (ELV). Regarding the REACH Regulation, the information TE provides on SVHC in articles for this part number is based on the latest European Chemicals Agency (ECHA) 'Guidance on requirements for substances in articles' posted at this URL: <https://echa.europa.eu/guidance-documents/guidance-on-reach>

Compatible Parts



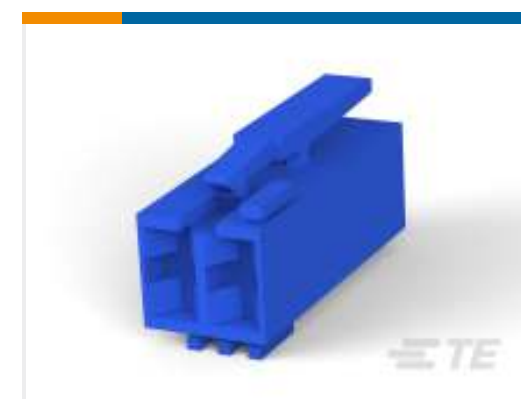
TE Part # 2-1241959-4
STD TIM HOUSING MKII 4POS



TE Part # 6-1241983-2
STANDARD TIMER HOUSING MARK II



TE Part # 4-1241965-2
STD TIMER HOUSING



TE Part # 5-1241983-3
STANDARD TIMER HOUSING MARK II



TE Part # 1241965-4
STANDARD TIMER HSG. WITH EXT. LOCK.



TE Part # 1241959-4
STD-TIM HSG MKII 4P



TE Part # 3-1241965-2
STD TIMER HOUSING



TE Part # 1241959-5
STD-TIM HSG MKII 5P



TE Part # 1241965-2
STD TIMER HOUSING 2POS

TE Part # 1-1241965-4
STD TIMER PLUG HSG 4P W/EXT. LOCKING

TE Part # 1-2295787-5
STD TIMER PLUG HSG 5P W/EXT. LOCKING-SP

TE Part # 1-2295787-7
STD TIMER PLUG HSG 7P W/EXT. LOCKING

TE Part # 1241965-6
STD-TIMER GEH 6P

TE Part # 1241965-8
8POS STD TIMER HSG WITH EXT. LOCKING

TE Part # 2295787-7
STD TIMER PLUG HSG 7P W/EXT. LOCKING

TE Part # 2315717-1
STD TIMER PLUG HSG 2P MKII

TE Part # 2315717-3
STD TIMER PLUG HSG 2P MKII

TE Part # 2315717-4
STD TIMER PLUG HSG 4P MKII

TE Part # 2315717-5
STD TIMER PLUG HSG 4P MKII

TE Part # 2315717-6
STD TIMER PLUG HSG 3P MKII

Also in the Series | RAST 5 IDC Connectors

Automotive Terminals(8)

Connector Contacts(12)

Crimp Terminal Housings(41)

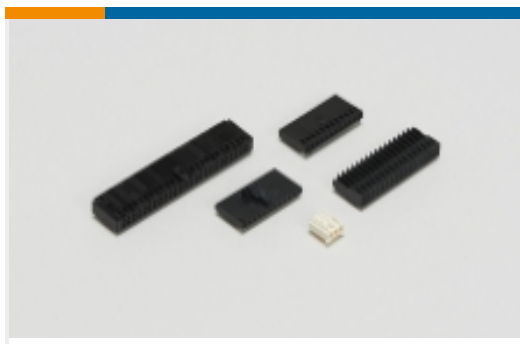
Insertion & Extraction Tools(1)

PCB Headers & Receptacles(417)

Rectangular Connector Housings(1)

Standard Edge Connectors(34)

Standard Rectangular Connectors(68)



Wire-to-Board Connector Assemblies & Housings(214)



Wire-to-Board Connector Contacts(2)

Customers Also Bought



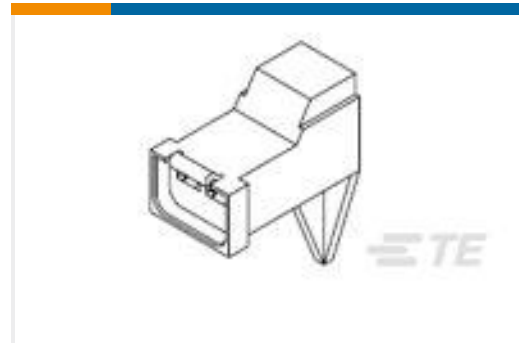
TE Part #2008571-2
2 POS MICRO MNL, TOP LATCH, BL



TE Part #6-1241961-3
STD TIM HOUSING MKII 2POS



TE Part #1241965-6
STD-TIMER GEH 6P



TE Part #521306-1
110 FASTON HSG. REC 5MM2P
NATURAL



TE Part #5-1241961-7
STD TIMER PLUG HSG 3P MK2

Documents

Product Drawings

7P ST-TIMER GEH

English

CAD Files

3D PDF

3D

Customer View Model

[ENG_CVM_CVM_2-1241965-7_A.2d_dxf.zip](#)

English

Customer View Model

[ENG_CVM_CVM_2-1241965-7_A.3d_igs.zip](#)

English

Customer View Model

[ENG_CVM_CVM_2-1241965-7_A.3d_stp.zip](#)

English

By downloading the CAD file I accept and agree to the [Terms and Conditions](#) of use.



Product Specifications

Product Specification

German

Product Environmental Compliance

TE Material Declaration

English