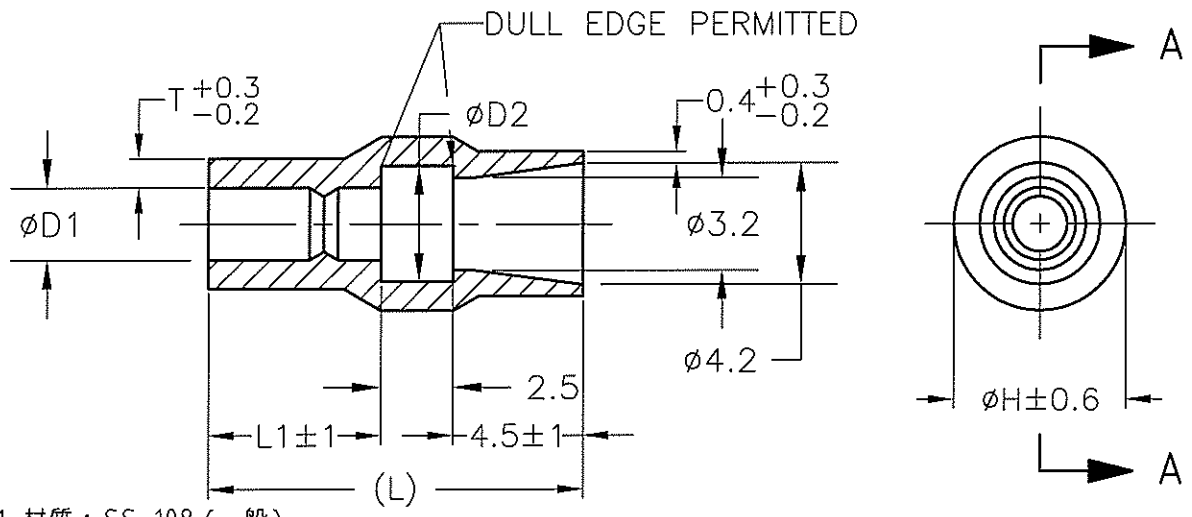


LOC	DIST	REVISIONS			DATE	DWN	APVD
J	—	P	LTR	DESCRIPTION	22MAR11	RK	HMR
		D2		REVISED PER ECO-11-005030			



1. 材質: SS-108 (一般)
2. 一般公差: ± 0.5
3. 適用製品規格は無し

A - A

4. 品川商工発行のカタログと本図で寸法が異なる場合は本図を優先する。

1. MATERIAL: SS-108 (GENERAL)
 2. GENERAL TOLERANCE: ± 0.5
 3. APPLICABLE PRODUCT SPEC NOT AVAILABLE
4. IN THE EVENT OF CONFLICT BETWEEN THE REQUIREMENTS OF THIS CUSTOMER DRAWING AND THE SHINAGAWA SHOKO CO LTD CATALOG THIS CUSTOMER DRAWING SHALL TAKE PRECEDENCE


X-170892-X	SEE 170892
X-170893-X	SEE 170893
X-170889-X	SEE 170889
X-170888-X	SEE 170888
X-170890-X	SEE 170890
X-170891-X	SEE 170891
X-170823-X	SEE 170823
PN	REMARK

5. OBSOLETE PARTS: OBSOLETE CIS STREAMLINING PER D.RENAUD/D.SINISI

5. OBSOLETE

CLEAR	14	7	4.5	1.5	0.6	5.9	224215	170887-5
	13	6		3.5	0.7		224235	170887-4
	14	7		3.2			224232	170887-3
BLACK	13	6	4	2.5	5.4	224225B	170887-2	
CLEAR						224225	170887-1	
COLOR	L	L1	$\phi D2$	$\phi D1$	T	H	SHINAGAWA SHOKO PN	PN

THIS DRAWING IS UNPUBLISHED. ALL RIGHTS RESERVED. COPYRIGHT

DIMENSIONS: 単位: 耗 MM		DWN A.YAMAGUCHI 31 AUG 00	WIRE RANGE 抱合電線断面積		INSULATION DIA 被覆外径	
TOLERANCES UNLESS OTHERWISE SPECIFIED: 一般公差		CHK D.MATSUURA 31 AUG 00	MATERIAL 材料		FINISH 仕上	
0 PLC ±		APVD K.BETSUI 31 AUG 00	 TE Connectivity			
1 PLC ±		PRODUCT SPEC 製品規格				
2 PLC ±		APPLICATION SPEC 取付適用規格	CONNECT SLEEVE FOR 5DIA SERIES SHUR PLUG RECEPTACLE			
3 PLC ±		WEIGHT	SIZE A4	CAGE CODE 00779	DRAWING NO 番号 C-170887	RESTRICTED TO
4 PLC ±		CUSTOMER DRAWING	SCALE 尺度 4:1	SHEET 1 OF 1	REV D2	
ANGLES ±						