

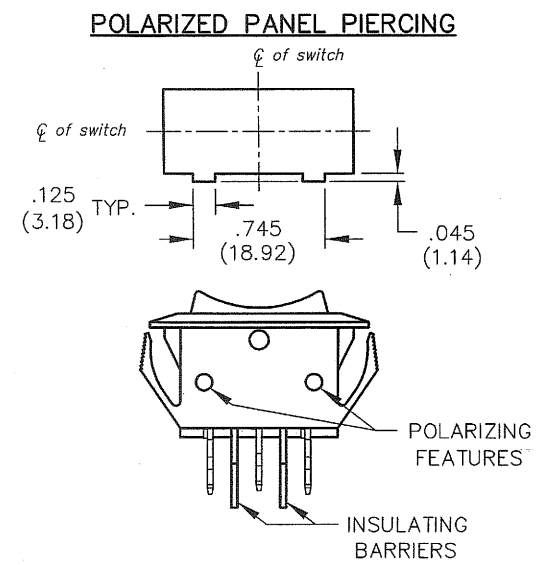
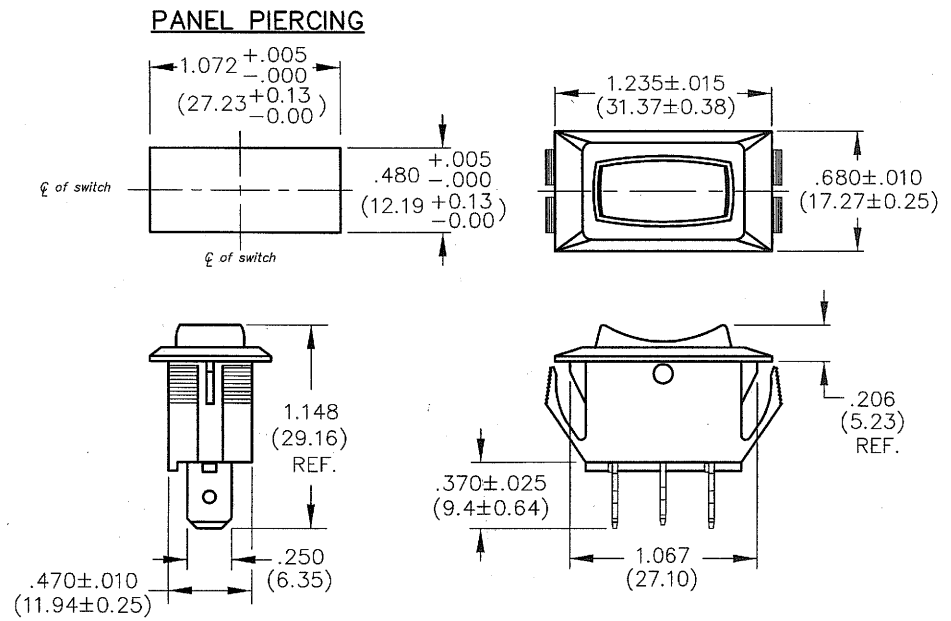
F
 D
 C
 B
 A

THIS INFORMATION IS CONFIDENTIAL AND PROPRIETARY TO CW INDUSTRIES INCORPORATED AND ITS AFFILIATES. IT MAY NOT BE DISCLOSED TO ANYONE OTHER THAN CW INDUSTRIES PERSONNEL, WITHOUT WRITTEN AUTHORIZATION FROM CW INDUSTRIES INCORPORATED, SOUTHAMPTON, PENNSYLVANIA USA.

DIMENSIONS IN INCHES (MILLIMETERS) Dwg. No.
 DO NOT SCALE DRAWING GRS-2013A-3XXX

PANEL THICKNESS
 .025" to .180"
 (0.64mm to 4.57mm)

OPTIONS:



TERMINAL OPTIONS:

.250" Wide Terminal is standard as Shown in drawing.
 .187" Wide Terminal is optional.

| | | | | | | | | | |
|---|---|---|---|---|---|---|---|---|----|
| 1 | 2 | 3 | 4 | 5 | 6 | 7 | 8 | 9 | 10 |
|---|---|---|---|---|---|---|---|---|----|

B-FORMAT 2002
REVISIONS
 RELEASED: 7-27-2010
 DGW
 OCT 25 2010

| | | |
|---------------|---|---|
| PDF FILE MADE | CW INDUSTRIES Southampton, Pa. 18966 | Title: CENTER OFF ROCKER SWITCH ASSEMBLY |
| | TOLERANCES UNLESS OTHERWISE SPECIFIED 2 Place Decimal $\pm .010$ METRIC 3 Place Decimal $\pm .005$ 1 Place Dec. $\pm .25\text{mm}$ Angles $\pm 1'$ 2 Place Dec. $\pm .13\text{mm}$ | S.P.D.T. WITH OPTIONS 1.072" x .480" PANEL |
| | Made for: CW IND. Drawn by: DGW 7-27-2010 Checked by: G. Guld 8-16-10 Approval: <i>[Signature]</i> 8-10-10 | Division: SWITCH Dwg. No. GRS-2013A-3XXX |

MASTER