



Single Port RJ45 Connector with No Magnetics

AR11NM-4722I



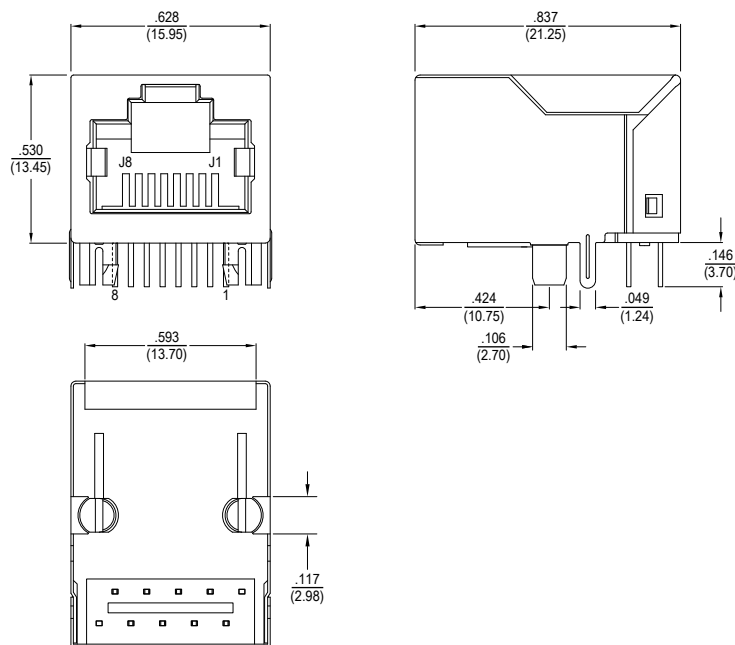
- Industrial Operating Temp: -40°C to +85°C
- CAT 6A Compliant

Electrical Specifications @ 25°C				
Voltage Rating (VAC)	Current Rating (Amp)	Contact Resistance (mΩ)	Insulation Resistance @ 500VDC (MΩ)	Dielectric Strength 60Hz / 60 Sec
125	1.5	50 Max	500 Min	1000VAC

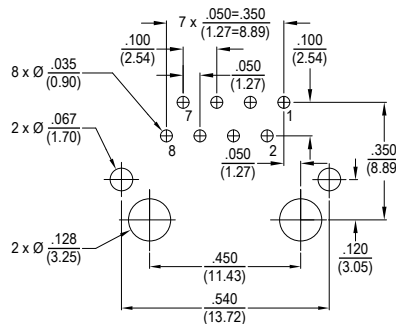
All specifications subject to change without notice.

MECHANICAL

Dimensions: $\frac{\text{inch}}{\text{(mm)}}$



PCB LAYOUT



NOTES

- Connector Materials:**
- Housing & Insert:** PBT UL94V-0
- Contact Material:** Phosphor Bronze T=.35mm
- Shield:** 0.20-0.25mm Thickness Brass with Tin Plating
- Contact Plating:** Gold plating 6µ" in Contact Area