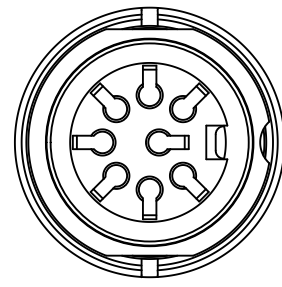
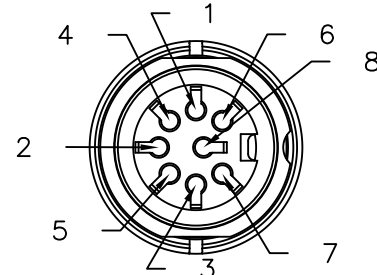


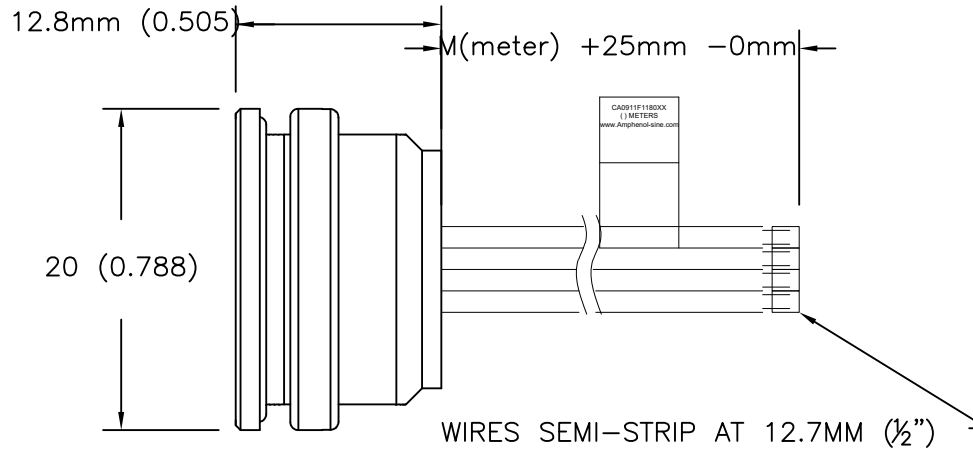
PART NUMBER	LENGTH (METERS)
CA0911F118003	0.3M (0.98 FEET)
CA0911F118005	0.5M (1.64 FEET)
CA0911F118010	1M (3.28 FEET)



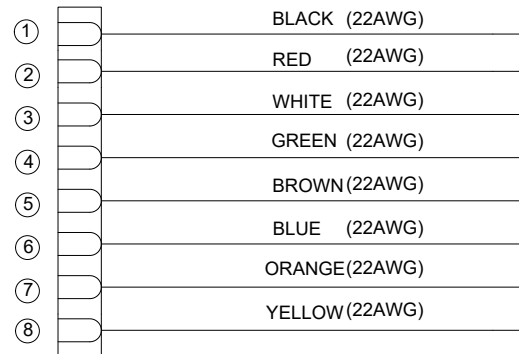
FEMALE RECEPTACLE



FACE VIEW



WIRING DIAGRAM

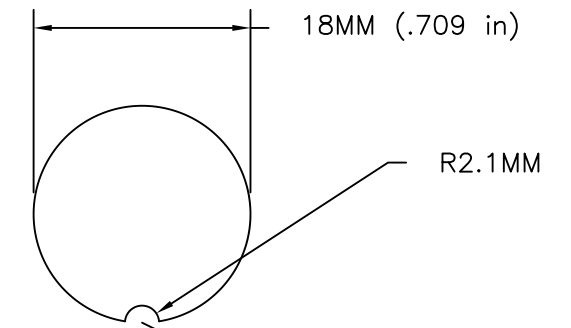


REVISIONS						
REV	ZONE	ECO	DESCRIPTION	DATE	BY	APPR
A1	-	-	TECHNICAL DATA SHEET RELEASE	20-JULY-17	RO	-

CAN BE USED WITH MATING MALE CABLE # CA0911A800801012

CONTACT YOUR DISTRIBUTOR FOR OTHER MATING OPTIONS

INSTALLATION NOTES & PANEL CUTOUT



FOR SEALING REASONS THE SURFACE FOR THE GASKET NEEDS TO BE LEVEL AND FREE OF BURRS.

PANEL THICKNESS: MAX 3.5MM

TIGHTENING TORQUE 0.7NM

RECOMMENDED TOOL: N450910001

- 1) MATERIALS:  
 COUPLING NUT: ZINC DIE CAST  
 INSULATION INSERT: THERMOPLASTIC  
 CONTACT: SILVER PLATED  
 WIRE RATING: 22 AWG, UL STYLE 1569 300V 105°C (AWM), CSA TYPE TR-64 300V 90°C, UL VW-1 FLAME TEST  
 CABLE JACKET MATERIAL: PVC  
 NUMBER OF CONDUCTORS: (8) 22AWG

- 2) CONNECTOR ELECTRICAL DATA:  
 CURRENT (MAX): 7A AT 40°C  
 VOLTAGE (MAX): 300V AC/DC  
 INSULATION RESISTANCE: 100M OHMS PER IEC 60512-3-1  
 RATED IMPULSE WITHSTAND VOLTAGE: 1200V

- 3) CONNECTOR MECHANICAL DATA:  
 TEMPERATURE RANGE: -25°C TO +100°C  
 PROTECTION: IP67/IP68 (PER MATED CONDITION)  
 MATING CYCLES: >500

- 4) RoHS COMPLIANT

QUANTITY	PART NUMBER	DESCRIPTION	ITEM
<b>MATERIALS LIST</b>			
UNLESS OTHERWISE SPECIFIED 1) All dimensions are in metric(mm). 2) Tolerances are as follows: 1 PL DEC ±0.30 2 PL DEC ±0.15 3 PL DEC ±0.08 Fractions ±1/64 Angles ±1° 3) Note reference =		SIGNATURES	DATE
		DRAWN: RO	6-JUNE-17
		CHECKED: AA	8-JUNE-17
		ENGINEER: RO	
		APPROVAL: WS	13-JUNE-17
MATERIAL SPECIFICATIONS:		CUSTOMER:	
PROCESS SPECIFICATIONS: IPC-WHMA-A-620		THIS DRAWING IS SUPPLIED FOR INFORMATION ONLY. DESIGN FEATURES, SPECIFICATIONS AND PERFORMANCE DATA SHOWN HEREON ARE THE PROPERTY OF THE AMPHENOL CORPORATION. NO RIGHTS OF REPRODUCTION ARE IMPLIED. ALL DIMENSIONS ARE SUBJECT TO NORMAL MANUFACTURING VARIATIONS.	
NEXT ASSY:		SIZE: C-	REVISION: A1
		SCALE: HALF	DWG NO: CA0911F1180XX
		SHEET 1	OF 1

