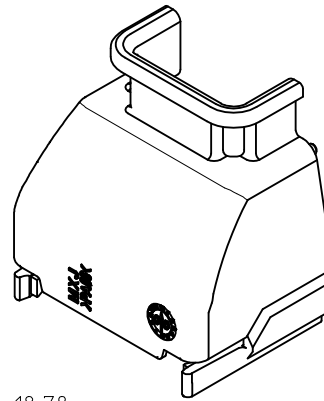
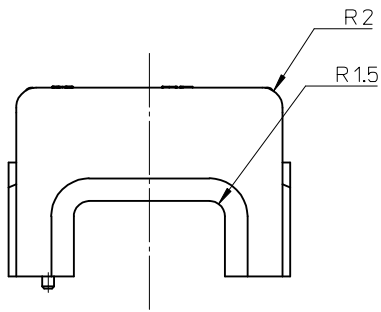
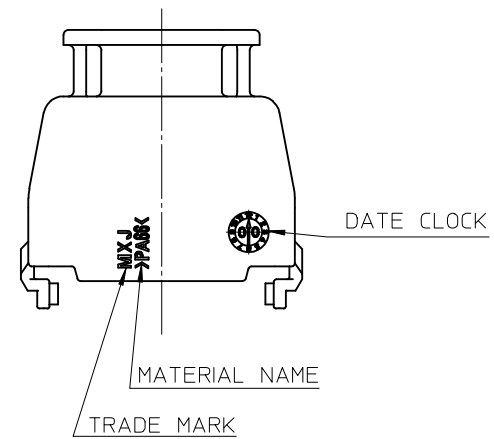
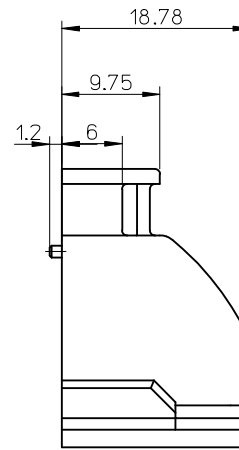
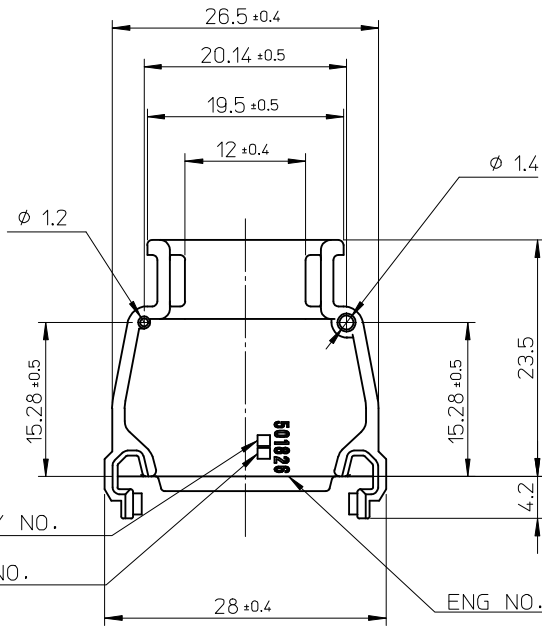


10 9 8 7 6 5 4 3 2 1



注記
NOTES

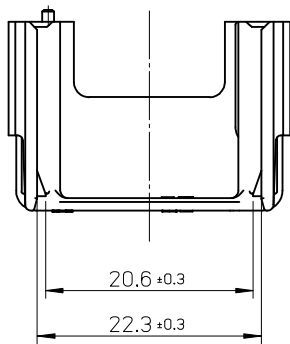
- 適合ハウジング: 501820-32*1
APPLICABLE HOUSING: 501820-32*1
- 材質: PA66.GF 0% 黒色
MATERIAL: PA66.GF 0% BLACK



CAVITY NO.

DIE NO.

ENG NO.



| | | | | | | |
|---|---------------------------------------|--|-----------------------------|---|--|------------------------|
| RELEASED EC NO.: J2006-2786 DRWN: YMASUDA02 2006/03/06 CHKD: TAITO 2006/03/07 APPR: AKANESHIGE 2006/03/08 | GENERAL TOLERANCES (UNLESS SPECIFIED) | | DIMENSION STYLE MM ONLY | SCALE 2:1 | DESIGN UNITS METRIC | THIRD ANGLE PROJECTION |
| | 10 UNDER | ±0.2 | DRAWN BY YMASUDA02 | DATE 2006/3/1 | TITLE CMC W/W CONN. 32P PLUG HOUSING WIRE DRESS COVER | |
| | 10 OVER 30 UNDER | ±0.25 | CHECKED BY TAITO | DATE 2006/3/1 | MOLEX INCORPORATED | |
| | 30 OVER | ±0.3 | APPROVED BY AKANESHIGE | DATE 2006/3/1 | DOCUMENT NO. SD-501826-001 | SHEET NO. 1 OF 1 |
| 0 | DESCRIPTION REV | ANGULAR ±3 ° DRAFT WHERE APPLICABLE MUST REMAIN WITHIN DIMENSIONS | MATERIAL NO. 501826-3201 | THIS DRAWING CONTAINS INFORMATION THAT IS PROPRIETARY TO MOLEX INCORPORATED AND SHOULD NOT BE USED WITHOUT WRITTEN PERMISSION | | |