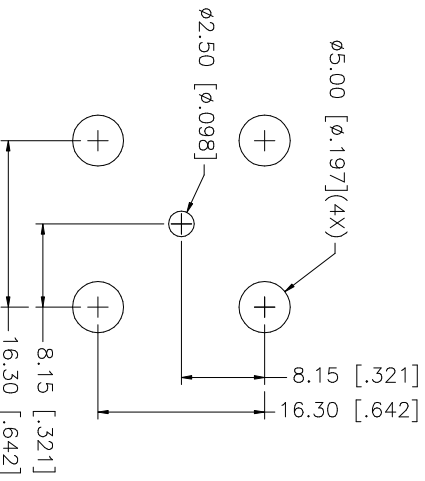
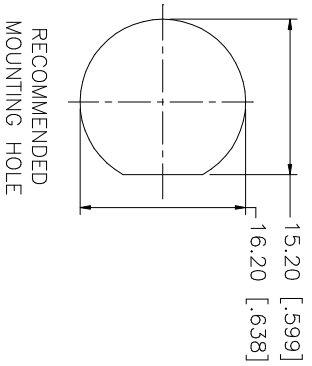
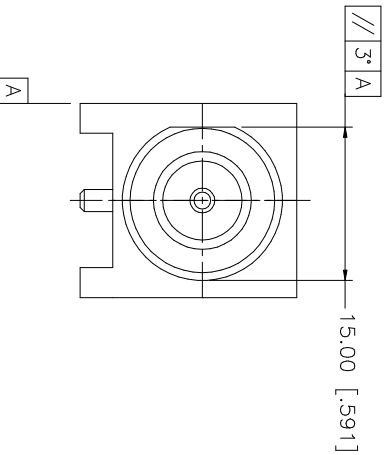
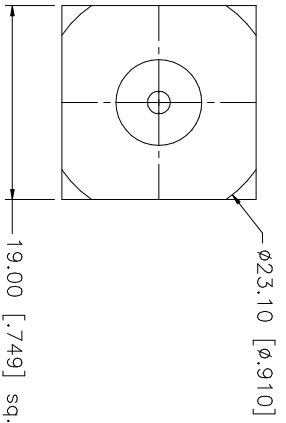
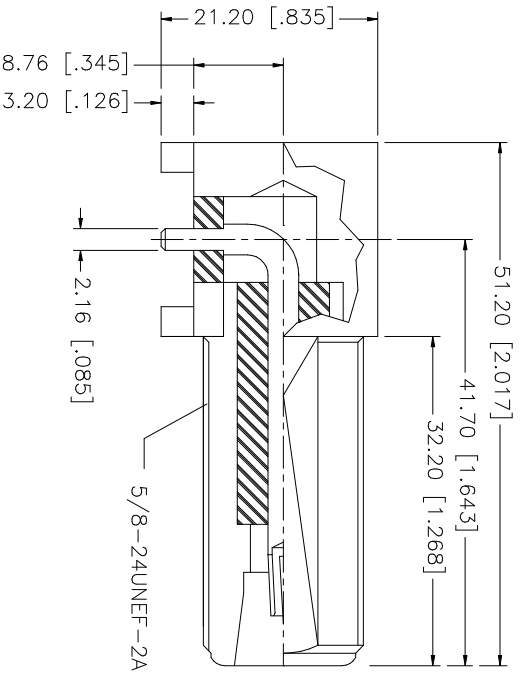


REV.	DATE	DESCRIPTION
A	01/30/04	UPDATE DRAWING FORMAT
B	06/29/06	REVISE PLATING TO BRIGHT TIN



RECOMMENDED  
P.C.B. MOUNTING HOLES



NO.	DESCRIPTION	MATERIAL	FINISH	QTY	UNLESS OTHERWISE SPECIFIED DIMENSIONS ARE IN MILLIMETERS DIMENSIONS IN [ ] ARE IN INCHES AND FOR CUSTOMER REFERENCE ONLY.	UNLESS OTHERWISE SPECIFIED TOLERANCES FOR MILLIMETERS ARE:	UNLESS OTHERWISE SPECIFIED TOLERANCES FOR INCHES ARE:	APPROVALS	DATE	PART DESCRIPTION	PART NO.	DWG. NO.	REV.	SIZE	SCALE	
8										<p style="text-align: center;"><b>Amphenol Connex</b></p> <p style="text-align: center;">N RIGHT ANGLE JACK</p>	172234	172234.DWG	B	A	NA	
7								DRAWN	G.R.S.							06/29/06
6								CHECKED								
5								ISSUED								
4								SHEET	1 OF 1							
3	CONTACT PIN	BER. COPPER	GOLD	1												
2	INSULATOR	TEFLON	NATURAL	2												
1	BODY	BRASS	BRT. TIN	1												
	DESCRIPTION	MATERIAL	FINISH	QTY	DO NOT SCALE DRAWING			CAD FILE	C:/172/172234.DWG							