

6

5

4

3

2

1

E

E

D

D

C

C

B

B

A

A

103.5 FT.
REFERENCE

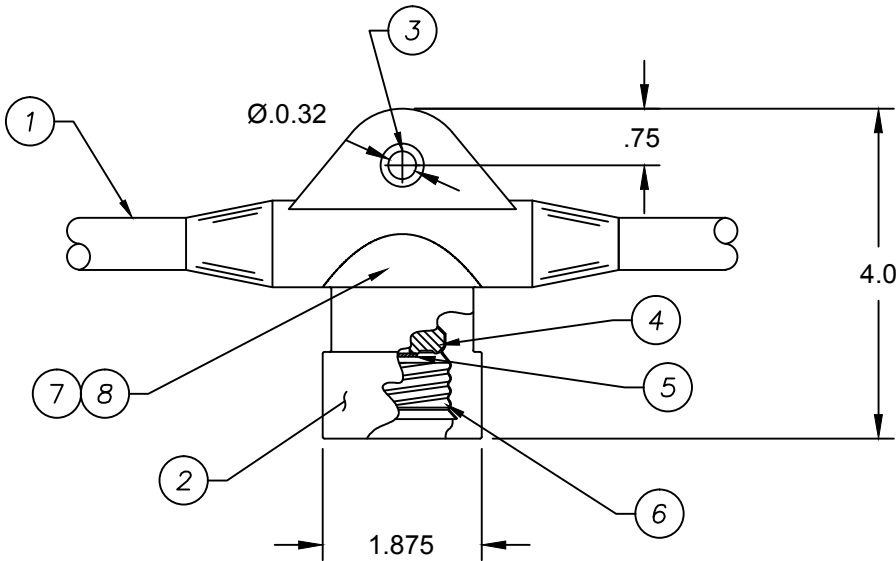
15 FT. ± 6 IN.
LEAD

1 FT. ± 2.0 IN.
88 PLACES

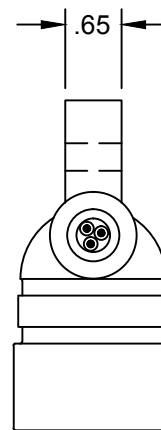
6 IN.
TAIL

[QTY-89] 323 MOLDED SOCKETS
COLOR: BLACK

#12-3 SOOW CORD
COLOR: BLACK



323 DETAIL



ITEM	DESCRIPTION	MATERIAL
1	#12-3 BLACK CABLE	SOOW/COPPER
2	MOLDED SOCKETS BLACK	NITRILE/PVC
3	EYELET	BRASS
4	BUTTON WHITE	PORCELAIN
5	RIVET	BRASS
6	SCREWSHELL	COOPER
7	1 CONDUCTOR WIRE BLACK	NEOPRENE
8	1 CONDUCTOR WIRE WHITE	NEOPRENE

CUSTOMER APPROVAL DRWG EC NO: IPCG2014-0028 DRWN: HRUIZ01 2013/07/02 CHKD: HKNEELAN APPR: JFMURPHY 2014/01/28	QUALITY SYMBOLS
	▽=0
	∇=0
	REV

GENERAL TOLERANCES (UNLESS SPECIFIED)	
	mm INCH
4 PLACES	±--- ±---
3 PLACES	±--- ±.005
2 PLACES	±--- ±.010
1 PLACE	±--- ±.020
ANGULAR ±1/2°	
DRAFT WHERE APPLICABLE MUST REMAIN WITHIN DIMENSIONS	

DIMENSION STYLE INCH	
DRAWN BY	DATE
HRUIZ01	2013/07/02
CHECKED BY	DATE
HKNEELAN	2013/07/02
APPROVED BY	DATE
JFMURPHY	2014/01/28
MATERIAL NO.	130106-0180
SIZE	A

SCALE NTS	DESIGN UNITS INCH	THIRD ANGLE PROJECTION
TITLE STRNGLGHT 103.5' ALL BLK (89) 323 SCKTS, 1' SPNGS 15' LEADER AND 6" TAIL		
MOLEX INCORPORATED		
MATERIAL NO. 130106-0180	DOCUMENT NO. SD-130106-039	SHEET NO. 1 OF 1
THIS DRAWING CONTAINS INFORMATION THAT IS PROPRIETARY TO MOLEX INCORPORATED AND SHOULD NOT BE USED WITHOUT WRITTEN PERMISSION		

6

5

4

3

2

1