

PART NAME: KNOB

SCALE: 1:1

DATE: 2/13/03

DR. BY JAM

DAVIES MOLDING COMPANY  
CAROL STREAM, ILLINOIS 60188

P/N 1475AV

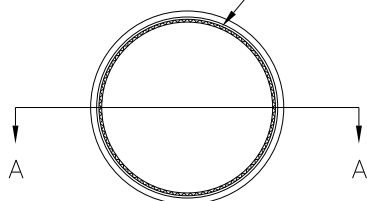
THIS DRAWING IS THE PROPERTY OF DAVIES MOLDING COMPANY, IS SUBMITTED SOLELY AS A DESIGN OR ENGINEERING PROJECT. WE ACCEPT NO RESPONSIBILITY WHATSOEVER FOR THE PRACTICAL APPLICATION OF THE PIECES MADE TO THIS DESIGN.

BASE PART 1475-09

SET SCREW 10358

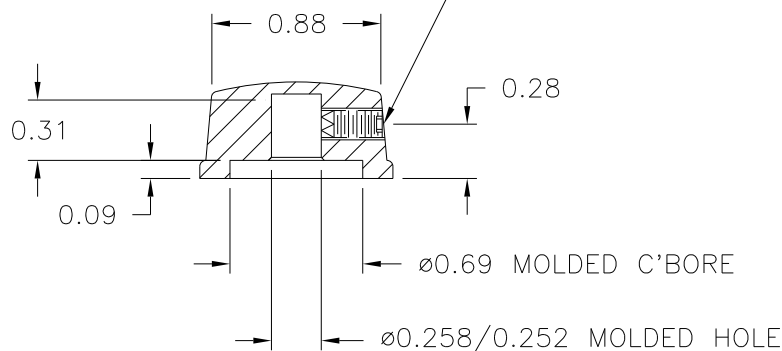
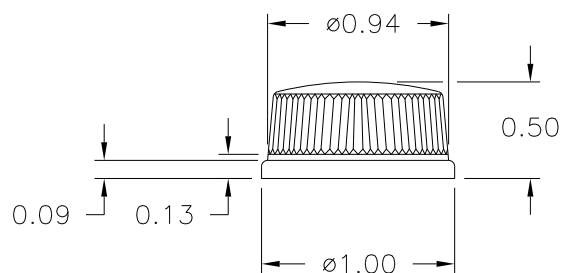
(A)

86, SEPARATIONS  
EQUALLY SPACED



SECTION A-A

USE #28 DRILL ( $\phi 0.140$ ), #8-32 TAP,  
#8-32 X 5/16 LG. HEADLESS, CUP POINTED,  
SLOTTED TYPE SET SCREW, 10358.



MATERIAL: MUP32 PERSTORP UREA FORMALDEHYDE (V32)  
COLOR: IVORY

TOLERANCES: UNLESS OTHERWISE SPECIFIED	DO NOT SCALE DRAWING			
DECIMALS: X.XXX ± .005 X.XX ± .015	MM: X.XX ± 0.15MM X.X ± 0.4MM	A	ADDED BASE PART	JAM 5/29/14
FRACTIONS ± 1/64	ANG. ± 1°	CHANGES		