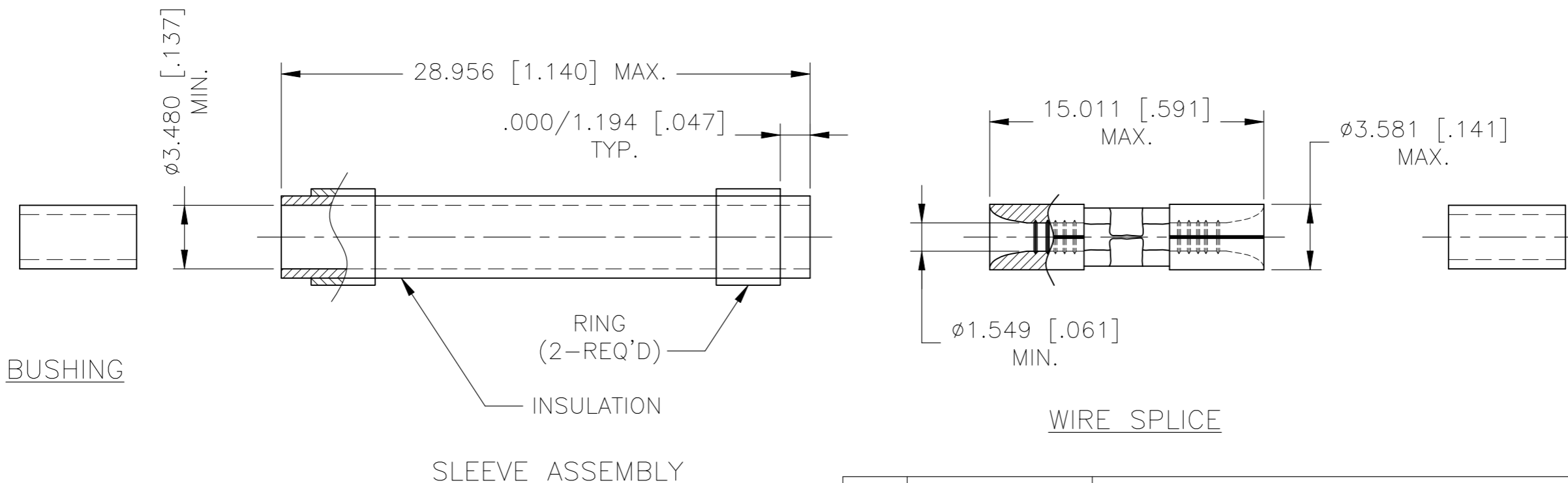
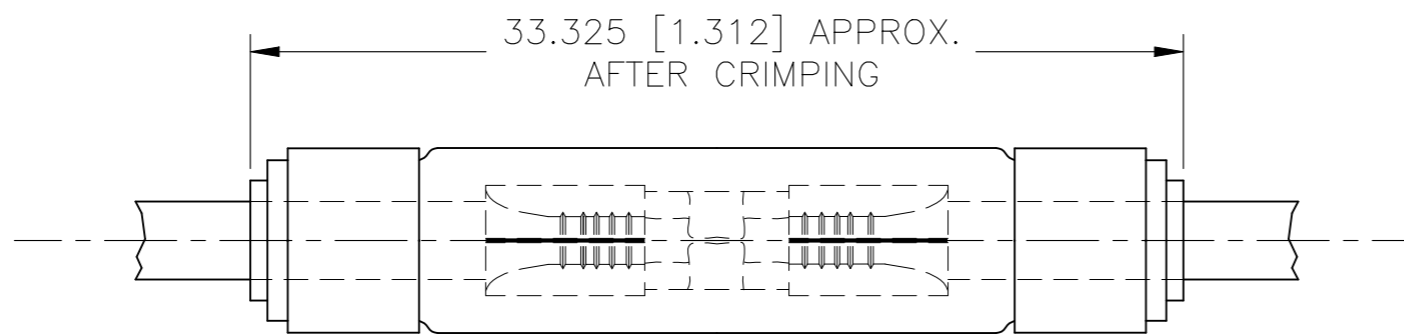


REVISIONS				
P	LTR	DESCRIPTION	DATE	APVD
C1		REVISED PER ECR-22-138429	20MAY2022	LP DSC



FOR 1.626(.064) TO 2.235(.088) WIRE INSULATION DIA.

329647	BAGGED KIT - LOOSE PIECE	1000
PART NUMBER	PACKAGE TYPE	QTY.

QTY	DESCRIPTION	MATERIAL AND FINISH
2	BUSHING	MATERIAL: PTFE PER ASTM D4895, FINISH COLOR: NATURAL
1	WIRE SPLICE 328592	MATERIAL: COPPER PER ASTM B152, ANNEALED FINISH: GOLD PLATE 0.00127[.00005] MIN EXT THK PER ASTM B488, TYPE 1 CODE C, OVER NICKEL PLATE 0.00076[.00003] MIN EXT THK PER SAE-AMS-QQ-N-290
1	SLEEVE ASSY	INSULATION: MATERIAL: PTFE PER ASTM D4895, FINISH COLOR: NATURAL RING: MATERIAL: ALUMINUM PER SAE-AMS-QQ-A-250/1, FINISH COLOR: RED

THIS DRAWING IS A CONTROLLED DOCUMENT.

DIMENSIONS: mm [INCHES]	TOLERANCES UNLESS OTHERWISE SPECIFIED:	DWN RAGHAVENDRA K 11JUN2020	STE TE Connectivity
	0 PLC ± - 1 PLC ± - 2 PLC ± - 3 PLC ± 0.127(.005) 4 PLC ± - ANGLES ± -	CHK DANIEL ROHDE 11JUN2020	
MATERIAL SEE TABLE	FINISH SEE TABLE	APVD DANIEL ROHDE 11JUN2020	
		NAME DANIEL ROHDE	
		PRODUCT SPEC -	WIRE SPLICE KIT, BUTT, POST INSULATED, STRATO-THERM, WIRE SIZE: 18-16 AWG
		APPLICATION SPEC 114-2162	SIZE A3
		WEIGHT -	CAGE CODE 00779
		CUSTOMER DRAWING	DRAWING NO C-329647
			RESTRICTED TO -
			SCALE 1:1
			SHEET 1 OF 1
			REV C1