

© 1961 BY AMP INCORPORATED. ALL RIGHTS RESERVED. AMP PRODUCTS COVERED BY PATENTS AND/OR PATENTS PENDING.

NOTE:

1 OBSOLETE PARTS: OBSOLETE CIS STREAMLINING PER D.RENAUD/D.SINISI

OBSOLETE

200681-1

200681-2

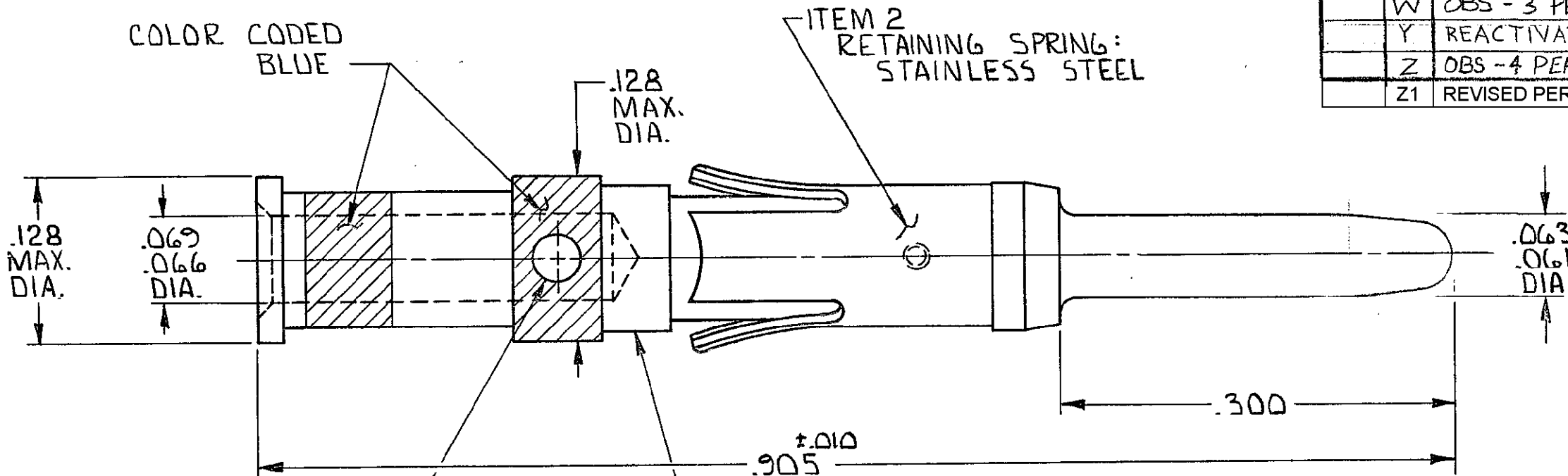
1 OBSOLETE 200681-3

OBSOLETE 200681-4

OBSOLETE 200681-5

- 1. AS SHOWN
- 1. SAME AS -1 EXCEPT:
2. FINISH ITEM 1: .0001 SILVER OVER .00003 NICKEL.
- 1. SAME AS -1 EXCEPT:
2. MOUNTED ON TAPE.
- 1. SAME AS -1 EXCEPT:
2. FINISH ITEM 1: .00005 MIN GOLD OVER .00005 MIN NICKEL
- 1. SAME AS -4 EXCEPT:
2. MOUNTED ON TAPE.

REVISIONS				
ZONE	LTR	DESCRIPTION	DATE	APPROVED
	K	REVISED & REDRAWN PER B-131&B-17	4/2/71	AS/RPM
B-1	K1	NOTE ADDED ECN B-141	7/16/71	JW/AS
	L	REVISED PER ECN B-840	8/3/72	GM
	M	OBSOLETE -5 ECN C-776 AS	4-15-74	SOB
	N	REACTIVATE -5 PER ECN E-530	7/26/76	PH/SM
	P	OBSOLETE -5 PER ECN J-496	11/15/82	TKH/SP
	R	OBS. -2 PER ECN R-2753	3-17-87	MPH/THW
	S	REVISED ECN S4142	9-17-87	THW
	T	OBS -3 PER ECN S4350	12-15-87	THW
	U	REACTIVATE -3 PER ECN S4462	3-1-88	THW
	V	REV PER ECN B22619	3-20-89	THW
	W	OBS -3 PER ECN 0020-344-93	6-2-93	RSK
	Y	REACTIVATE -3 EC 0020-732-93	7-9-93	GS
	Z	OBS -4 PER EC 0020-0184-93	11-16-94	RK
	Z1	REVISED PER ECO-09-026346	26NOV09	AEG

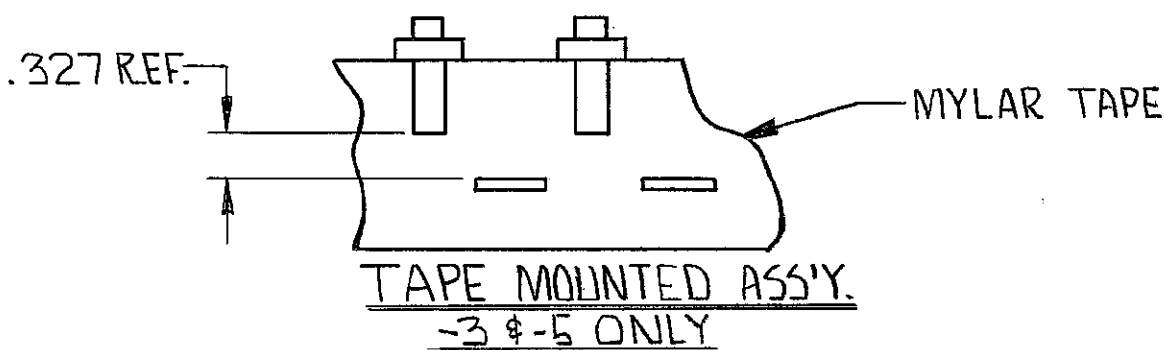


±.015
.031 DIA.
INSPECTION HOLE

ITEM 1
BODY: COPPER ALLOY
.000030 MIN GOLD OVER
.000050 MIN NICKEL

WHEN ORDERING CONTACT ON TAPE, ORDER BY THE TAPE NUMBER PLUS THE PACKAGING CODE AS FOLLOWS:

- FOR USE WITH AMP TAPETRONIC, PNEUMATIC TOOL -
 - 1000 PARTS TO A BOX ADD PACKAGING CODE: 1MBOX
- FOR USE WITH 4/8 INDENT STRIPPER CRIMPER -
 - 1000 PARTS TO A REEL ADD PACKAGING CODE: 1MREEL
 - 5000 PARTS TO A REEL ADD PACKAGING CODE: 5MREEL



UNLESS OTHERWISE SPECIFIED DIMENSIONS ARE IN INCHES TOLERANCES ON: DECIMALS ±.005 ANGLES ±.1

MATERIAL SEE CALLOUT

CONTRACT NO.	
DR	4/2/71
CHK	4/5/71
APPD	4/6/71
REL	4/6/71
DSGN APPD	
OTHER APPD	

AMP INCORPORATED - HARRISBURG, PENNSYLVANIA		
NAME # 16 CONTACT - PIN TYPE II - SPECIAL SHORT		
SIZE B	CODE IDENT NO. 00779	NUMBER 200681
SCALE NTS	SHEET 1 OF 1	