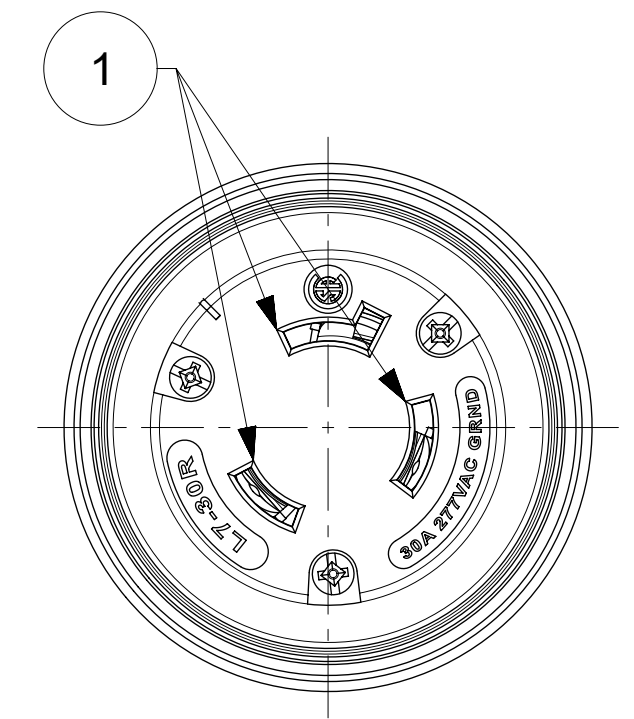
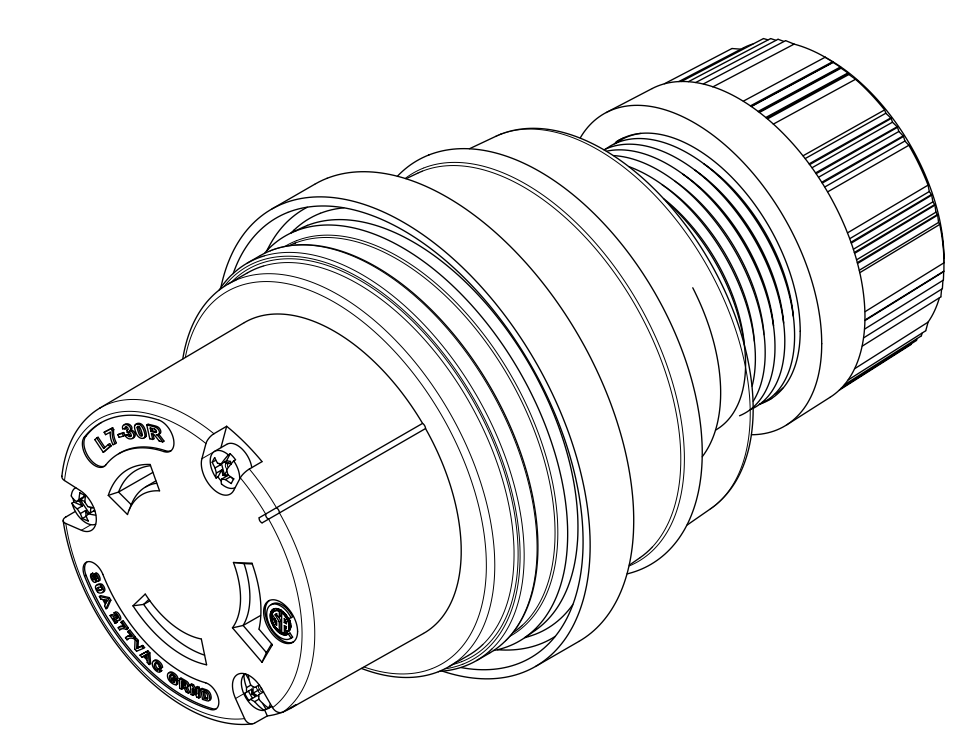
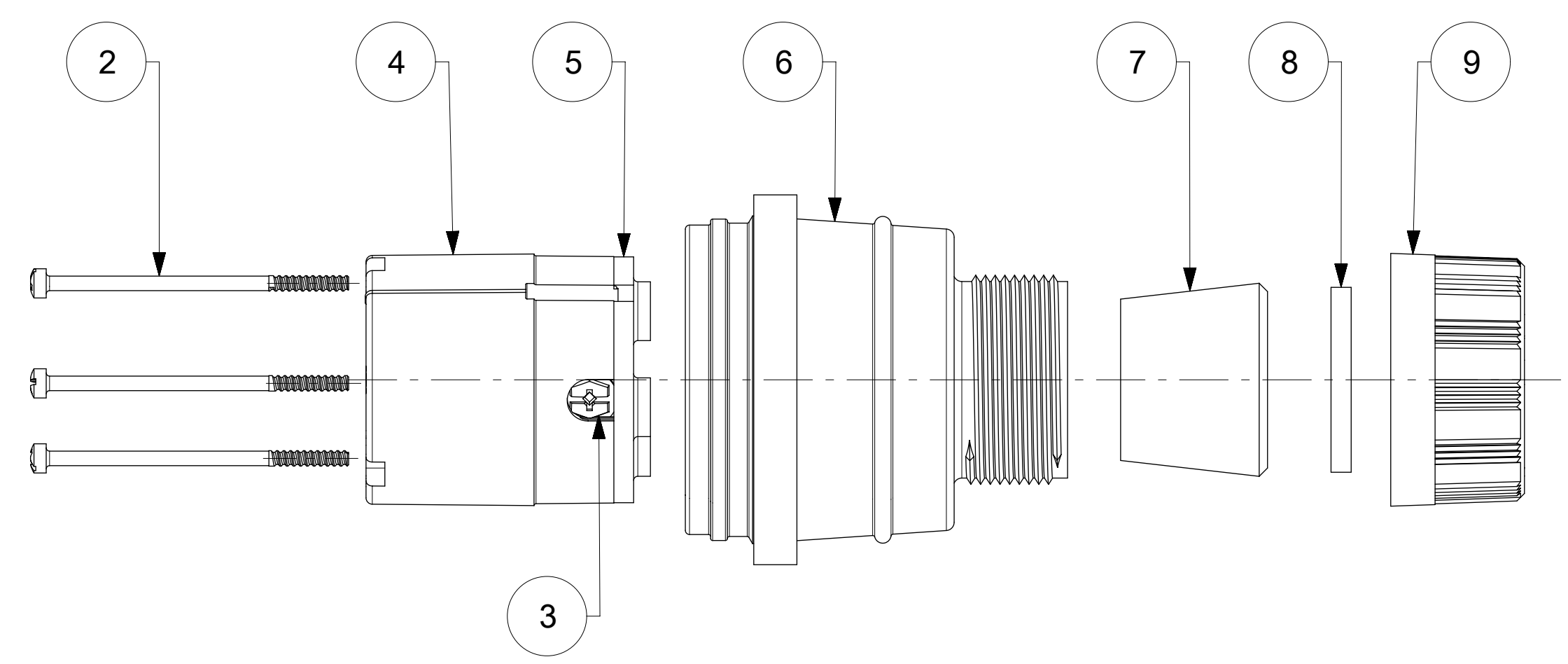
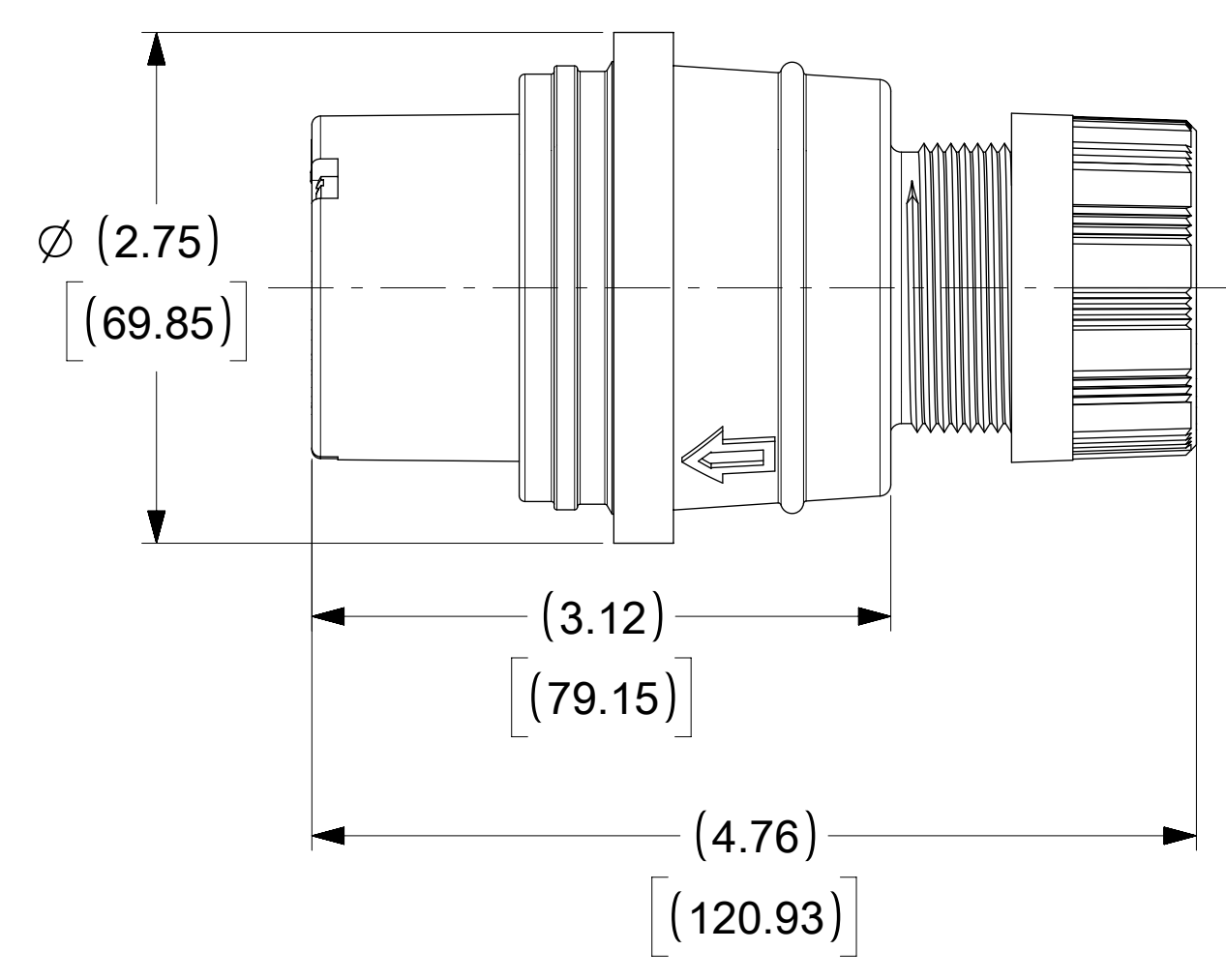


ORDER NO.	WOODHEAD NO.	COLOR
130147-0417	29W49MB-P	YELLOW



FACE VIEW



ITEM NO.	DESCRIPTIONS	MATERIAL	QTY.
1	BLADE	BRASS, NICKEL PLATED	3
2	RETAINING SCREWS	STAINLESS STEEL	3
3	CLAMP AND TERMINAL SCREW ASSY	BRASS, ZINC PLATED	4
4	INSERT	NYLON	1
5	TERMINAL COVER	POLYCARBONATE	1
6	HOUSING	SILICON WITH NYLON THREAD	1
7	GROMMET	RUBBER	4
8	FRICTION RING	NYLON	1
9	COMPRESSION NUT	NYLON	1

SYMBOLS		THIS DRAWING CONTAINS INFORMATION THAT IS PROPRIETARY TO MOLEX ELECTRONIC TECHNOLOGIES, LLC AND SHOULD NOT BE USED WITHOUT WRITTEN PERMISSION	
∇ = 0	DIMENSION UNITS	SCALE	CURRENT REV DESC: RELEASED
∇ = 0	INCH[MM]	NTS	molex WATERTITE CONNECTOR MOTOR BASE 2P3W L7-30
∇ = 0	GENERAL TOLERANCES (UNLESS SPECIFIED)		
∇ = 0		MM	INCH
∇ = 0	4 PLACES	±	±
∇ = 0	3 PLACES	±	±
∇ = 0	2 PLACES	±	±
∇ = 0	1 PLACE	±	±
∇ = 0	0 PLACES	±	±
∇ = 0	ANGULAR TOL	± °	
∇ = 0	DRAFT WHERE APPLICABLE MUST REMAIN WITHIN DIMENSIONS	THIRD ANGLE PROJECTION	DRAWING SERIES
			C-SIZE 130147
			EC NO: 614388 DRWN: DSOPPIN 2019/03/19 CHK'D: DNGUYEN62 2019/04/24 APPR: HKNEELAND 2019/04/25 INITIAL REVISION: DRWN: DSOPPIN 2019/03/19 APPR: HKNEELAND 2019/04/25
	DOCUMENT NUMBER	DOC TYPE	DOC PART
	1301470417	PSD	000
	MATERIAL NUMBER	CUSTOMER	SHEET NUMBER
	SEE TABLE	GENERAL MARKET	1 OF 1