

POSITIONS/ CONTACTS	A		B		C	
	INCH	MM	INCH	MM	INCH	MM
02/04**	0.100	2.54	0.200	5.08	N/A	N/A
03/06	0.200	5.08	0.300	7.62	0.100	2.54
04/08	0.300	7.62	0.400	10.16	0.200	5.08
05/10	0.400	10.16	0.500	12.70	0.300	7.62
06/12	0.500	12.70	0.600	15.24	0.400	10.16
07/14	0.600	15.24	0.700	17.78	0.500	12.70
08/16	0.700	17.78	0.800	20.32	0.600	15.24
09/18	0.800	20.32	0.900	22.86	0.700	17.78
10/20	0.900	22.86	1.000	25.40	0.800	20.32
11/22	1.000	25.40	1.100	27.94	0.900	22.86
12/24	1.100	27.94	1.200	30.48	1.000	25.40
13/26	1.200	30.48	1.300	33.02	1.100	27.94
14/28	1.300	33.02	1.400	35.56	1.200	30.48
15/30	1.400	35.56	1.500	38.10	1.300	33.02
16/32	1.500	38.10	1.600	40.64	1.400	35.56
17/34	1.600	40.64	1.700	43.18	1.500	38.10
18/36	1.700	43.18	1.800	45.72	1.600	40.64
19/38	1.800	45.72	1.900	48.26	1.700	43.18
20/40	1.900	48.26	2.000	50.80	1.800	45.72
21/42	2.000	50.80	2.100	53.34	1.900	48.26
22/44	2.100	53.34	2.200	55.88	2.000	50.80
23/46	2.200	55.88	2.300	58.42	2.100	53.34
24/48	2.300	58.42	2.400	60.96	2.200	55.88
25/50	2.400	60.96	2.500	63.50	2.300	58.42
26/52	2.500	63.50	2.600	66.04	2.400	60.96
27/54	2.600	66.04	2.700	68.58	2.500	63.50
28/56	2.700	68.58	2.800	71.12	2.600	66.04
29/58	2.800	71.12	2.900	73.66	2.700	68.58
30/60	2.900	73.66	3.000	76.20	2.800	71.12
31/62	3.000	76.20	3.100	78.74	2.900	73.66
32/64	3.100	78.74	3.200	81.28	3.000	76.20
33/66	3.200	81.28	3.300	83.82	3.100	78.74
34/68	3.300	83.82	3.400	86.36	3.200	81.28
35/70	3.400	86.36	3.500	88.90	3.300	83.82
36/72	3.500	88.90	3.600	91.44	3.400	86.36
37/74	3.600	91.44	3.700	93.98	3.500	88.90
38/76	3.700	93.98	3.800	96.52	3.600	91.44
39/78	3.800	96.52	3.900	99.06	3.700	93.98
40/80	3.900	99.06	4.000	101.60	3.800	96.52

\*\* NOT AVAILABLE WITH GUIDE POST.

**PART NUMBER CODING**  
**SFM710-NPPC-D\_\_-S\_-BK**

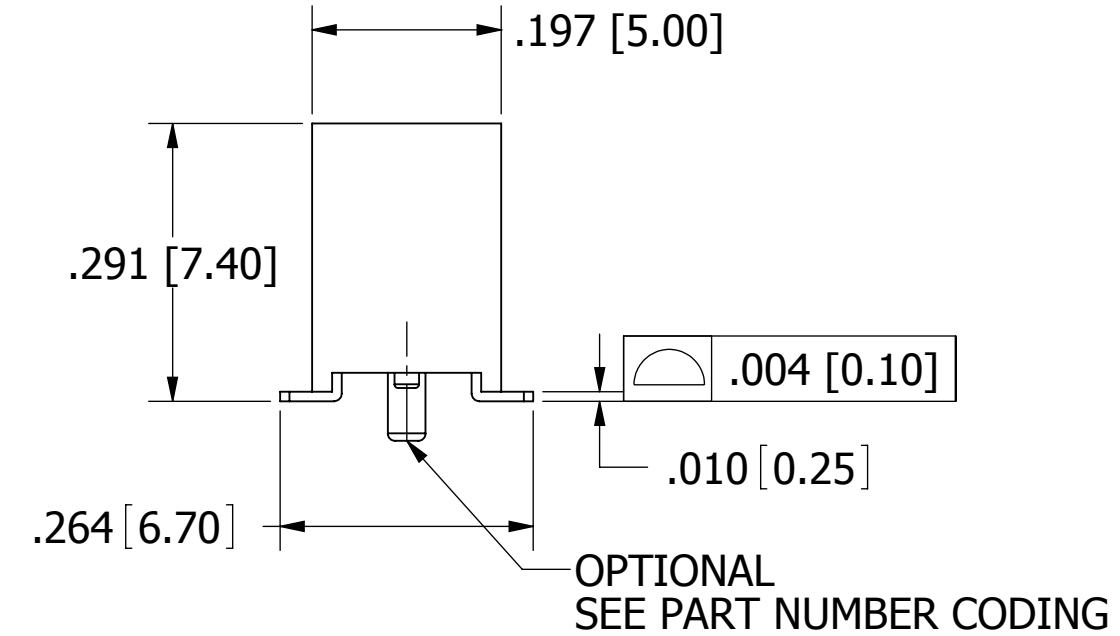
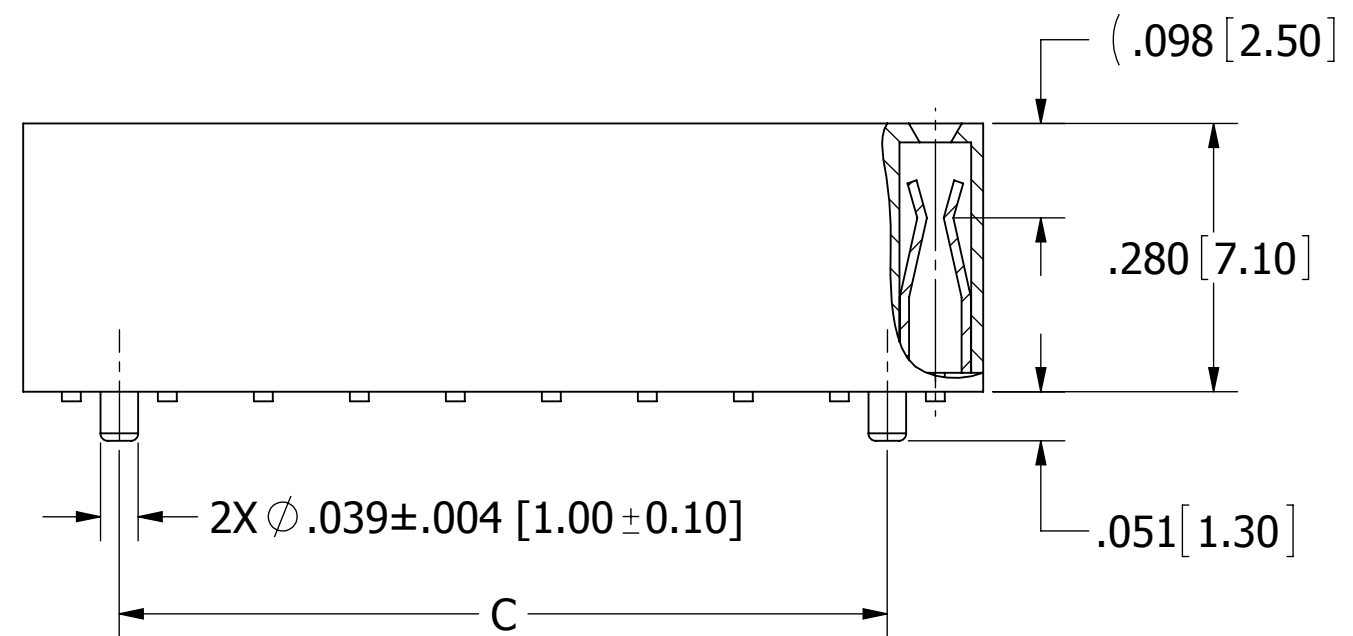
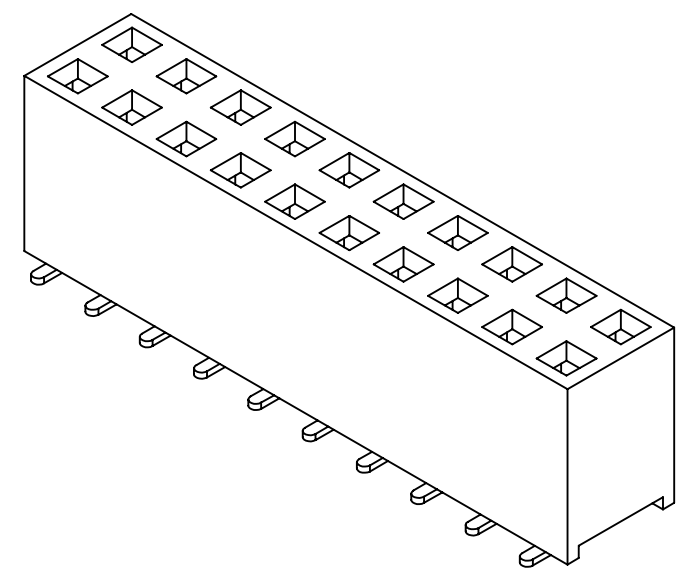
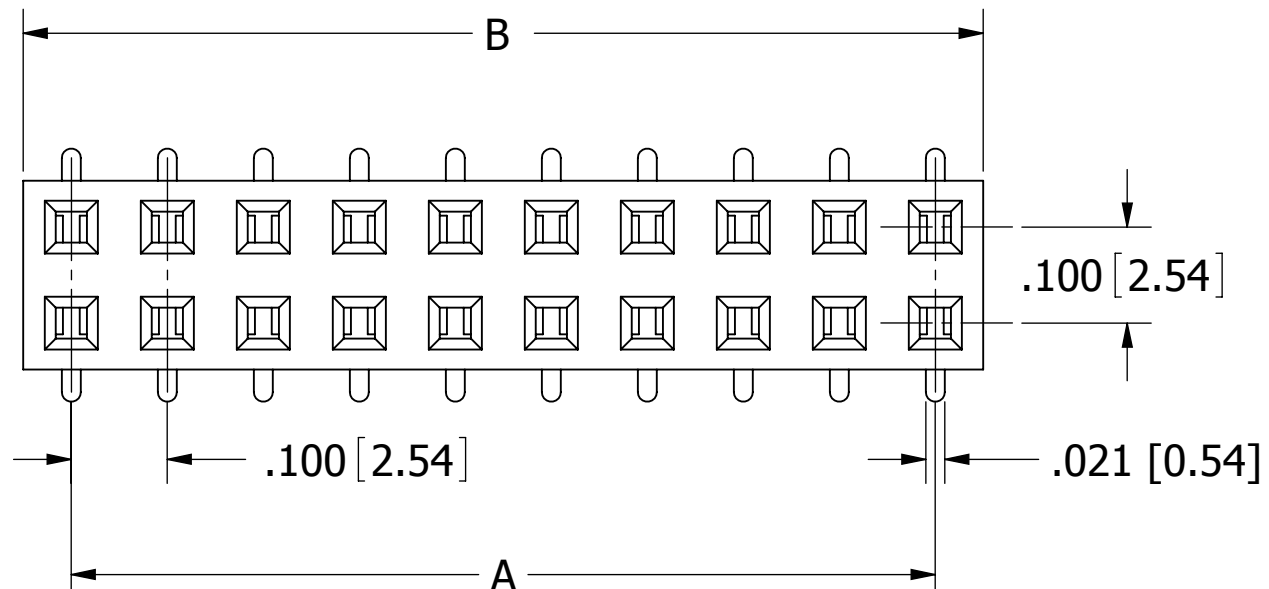
**TERMINATION TYPES**

M = SURFACE MOUNT W/O GUIDE POSTS.  
P = SURFACE MOUNT W/ GUIDE POSTS.

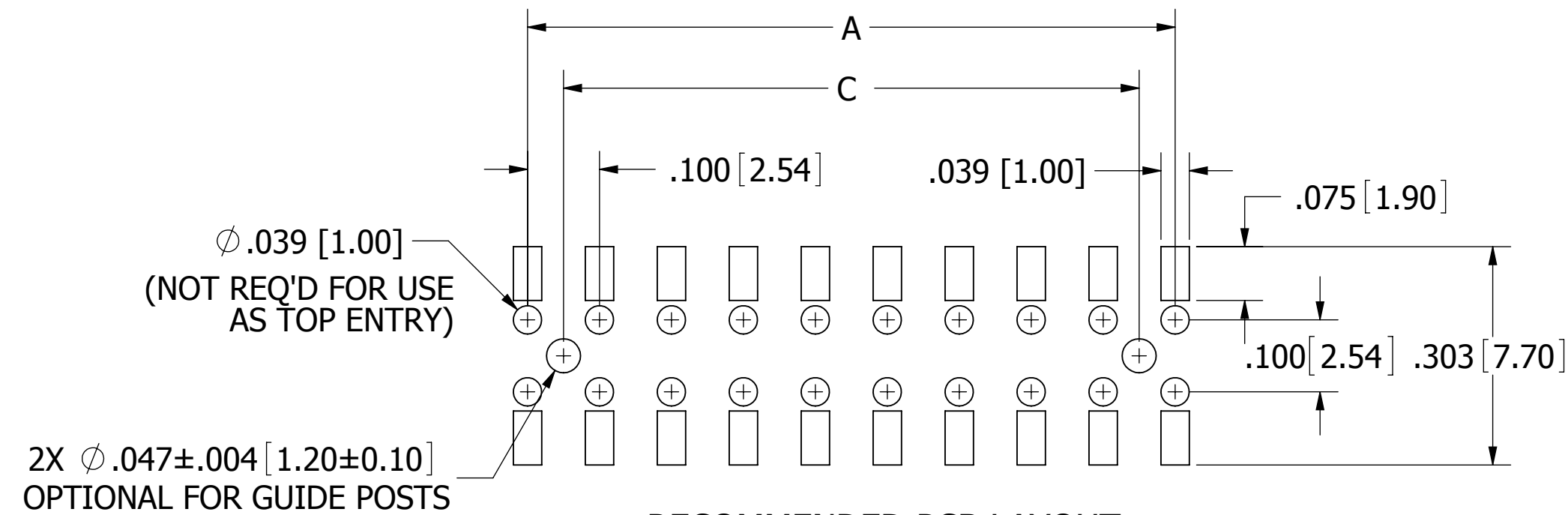
**NUMBER OF POSITIONS**

(CONTACTS PER ROW, 02 THRU 40)

REVISIONS				
REV.	ECO. NO	DESCRIPTION	DATE	BY
A	2399	INITIAL RELEASE	07/14/2011	GC
B	3024	UPGRADE INSULATOR MATERIAL TO NYLON 9T (WAS NYLON 6T)	08/04/2014	LH



OPTIONAL  
SEE PART NUMBER CODING



**RECOMMENDED PCB LAYOUT**

- NOTES:**
- INSULATOR MATERIAL: NYLON 9T, UL 94V-0, COLOR: BLACK
  - CONTACT MATERIAL: PHOSPHOR BRONZE
  - CONTACT PLATING: .000030" ~ .000050" NICKEL UNDERPLATE, GOLD FLASH OVERALL
  - CURRENT RATING: 3 AMPS
  - INSULATOR RESISTANCE: 5000 MEGOHMS MIN
  - CONTACT RESISTANCE: 20 MILLIOHMS MAX
  - DIELECTRIC WITHSTANDING: 1000 VAC
  - OPERATING TEMPERATURE: -40°C TO +105°C
  - PROCESSING TEMP.: 230° C MAX. FOR 60 SECONDS (260° C MAX. FOR 10 SECONDS)
  - FOR TOP/BOTTOM ENTRY
  - CONSULT FACTORY FOR THE MATE IF BEING USED AS BOTTOM ENTRY



RoHS COMPLIANT

UNLESS OTHERWISE SPECIFIED: DIMENSIONS ARE IN INCHES [MM]		DRAWN	DATE	NAME	
			07/14/11	GC	
TOLERANCES:					<small>THE INFORMATION HEREIN CONTAINS PROPRIETARY INFORMATION OF SULLINS ELECTRONICS AND IS NOT TO BE REPRODUCED, USED OR DISCLOSED TO OTHERS FOR ANY PURPOSE EXCEPT AS SPECIFICALLY AUTHORIZED IN WRITING BY AN OFFICER OF SULLINS ELECTRONICS.</small>
ANGULAR:					
DECIMALS .XX = ± .012 [ .31] .XXX = ± .008 [ .20] .XXXX = ± .0040 [ .100]					
TITLE HEADER FEMALE, .100 CC, T/B ENTRY					REV
PART NUMBER SFM710-NPPC-D__-S_-BK					B
SIZE	CAGE CODE	DWG. NO.		REV	
C	54453	11809			
SCALE: 5:1				SHEET 1 OF 1	