

**TECHNICAL SPECIFICATION**

HOUSING MATERIAL : THERMOPLASTIC POLYESTER UL94V-0, GREY  
 HOUSING CAN WITHSTAND EXPOSURE TO LEAD FREE WAVE SOLDERING TEMPERATURE OF 260-265°C FOR STRAIGHT CONNECTORS AS IT IS IN CLASSICAL LEAD WAVE SOLDERING AT 235-250°C

CONTACT MATERIAL : COPPER ALLOY  
 CONTACT ACTIVE ZONE PLATING : GOLD / GXT™ OVER NICKEL  
 CONTACT TERMINATION ZONE :  
 LEAD FREE VERSION : TIN (PURE MATTE) OVER Ni

**ELECTRICAL DATA**

CURRENT RATING AT 20°C : 1.5 A  
 CURRENT (I MAX) : 2 A  
 TEMPERATURE RANGE : -55°C/+125°C  
 CONTACT RESISTANCE : ≤ 20mΩ  
 INSULATION RESISTANCE : ≥ 10<sup>6</sup> MΩ  
 TEST VOLTAGE (rms) : 1000V

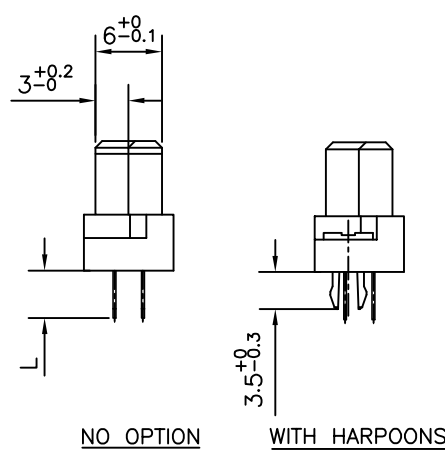
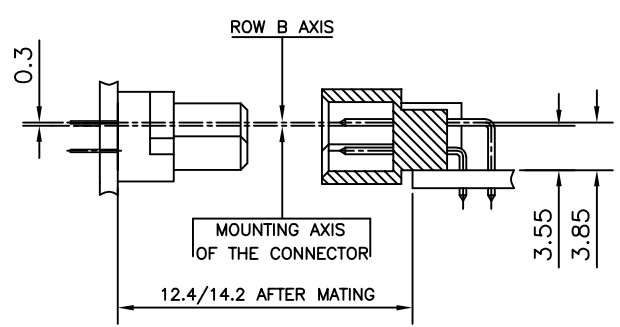
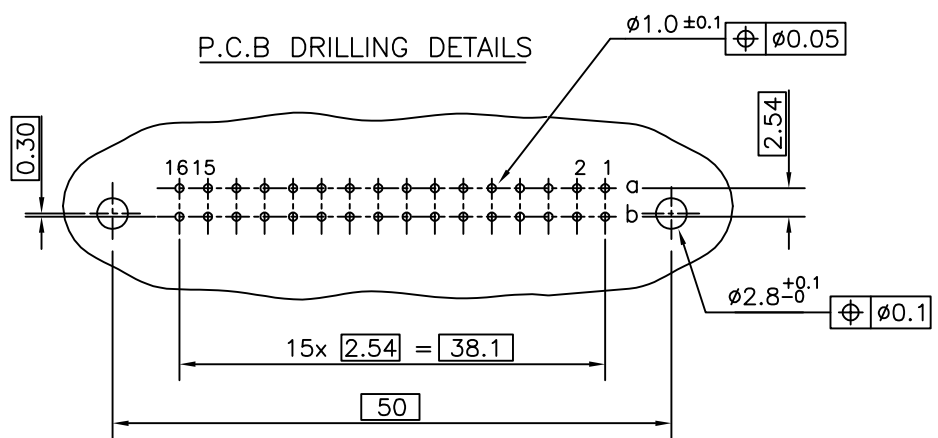
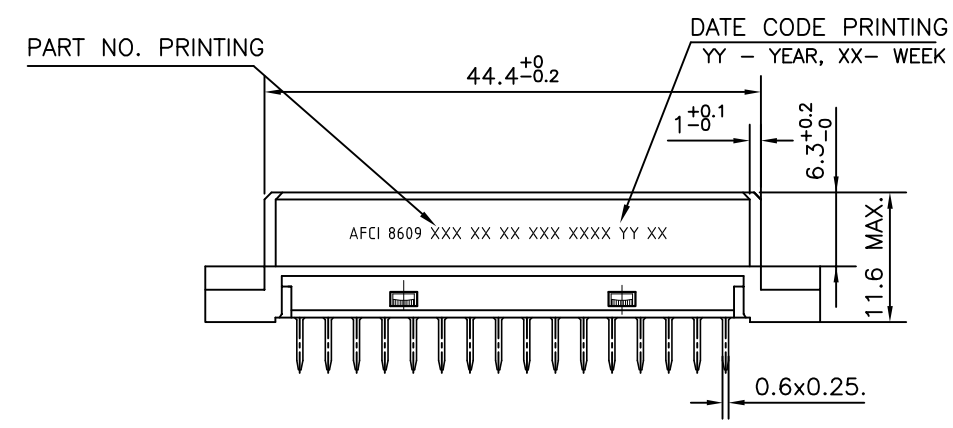
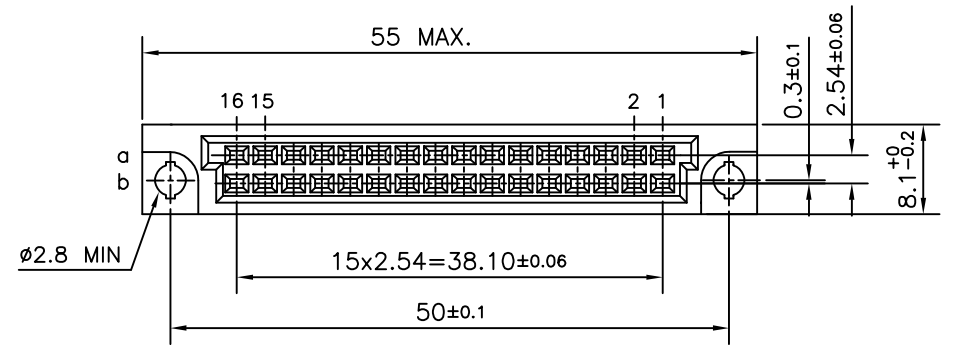
**MECHANICAL DATA**

INSERTION FORCE PER CONTACT : ≤ 0.94N  
 EXTRACTION FORCE PER CONTACT : ≥ 0.15N

REFERENCE SPECIFICATIONS : DIN 41612 / IEC 603-2

SERIES	8609	2	32	6	3	14	7	5	5	V1LF
ROWS FITTED WITH CONTACTS										
Rows a - - - - -	1	16								
Rows a b - - - - -	2	32								
NUMBER OF CONTACTS										
TYPE OF INSULATOR										
2 ROW FEMALE INSULATOR - - - - -	6									
METHOD OF MOUNTING										
STANDARD MOUNTING - STYLE B/2 - - - - -	3									
TERMINATION										
SHORT STRAIGHT SPILL (L - SEE TABLE) - - - - -	24									
LONG STRAIGHT SPILL (L - SEE TABLE) - - - - -	14									
OPTIONS										
NO OPTION - - - - -	7									
WITH HARPOONS - - - - -	H									
PERFORMANCE CLASS										
DIN 41612 CLASS 3 - - - - -	4									
DIN 41612 CLASS 2 - - - - -	5									
DIN 41612 CLASS 1 - - - - -	6									
AS PER MIL C 55302/ JSS 50808 - - - - -	8									
PITCH PER ROW										
2.54 - - - - -	5									

V1LF - - - - - LEAD FREE VERSION



14	4.0
24	2.5
TERM. STYLE	L +0.7 / -0

**NOTES:**

- THE "LF" PRODUCTS MEET EUROPEAN UNION DIRECTIVES AND OTHER COUNTRY REGULATIONS AS DESCRIBED IN GS-47-0004.
- LEAD FREE OR RoHS DIRECTIVE LABELING TO BE PROVIDED AS PER GS-14-920 FOR LEAD FREE VERSION.
- FOR GENERAL CHARACTERISTICS AND RoHS INFORMATION, REFER DRAWING C-8609-0000A.

mat'l. code	surface	tolerance	projection	product family
-	ISO 1302 ✓	ISO 406 ISO 1101		8609
ltr	ecn no	dr	date	title
A	-	MJA	2019-03-30	DIN STANDARD RECEPTACLE
tolerances unless otherwise specified				STRAIGHT SPILL DIN 41612 STYLE-B/2
angles		linear	.0±.1	mm
0°±1'				scale -
dr	M JACOB	2019-03-30	<b>Amphenol FCI</b>	dwg no
enr	M JACOB	2019-03-30		sheet 1 of 1
chr	M JACOB	2019-03-30		size
appd	BIJU K PAUL	2019-03-30		A3
sheet index	revision	A		type
	sheet	1		Product Customer Drawing